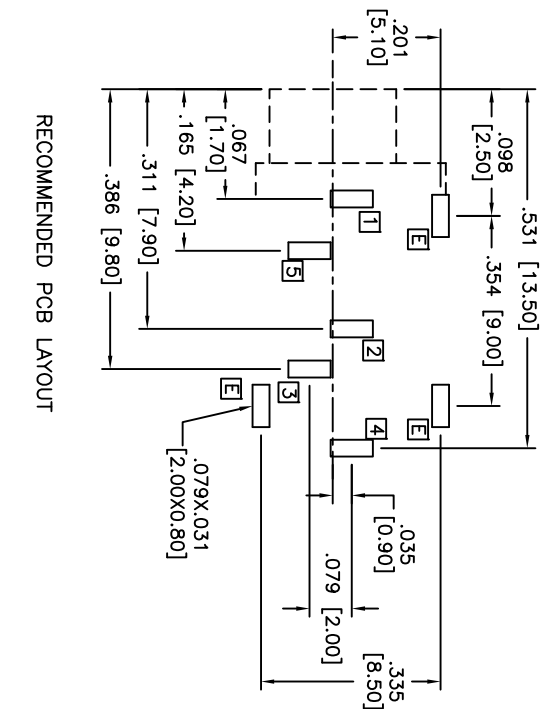
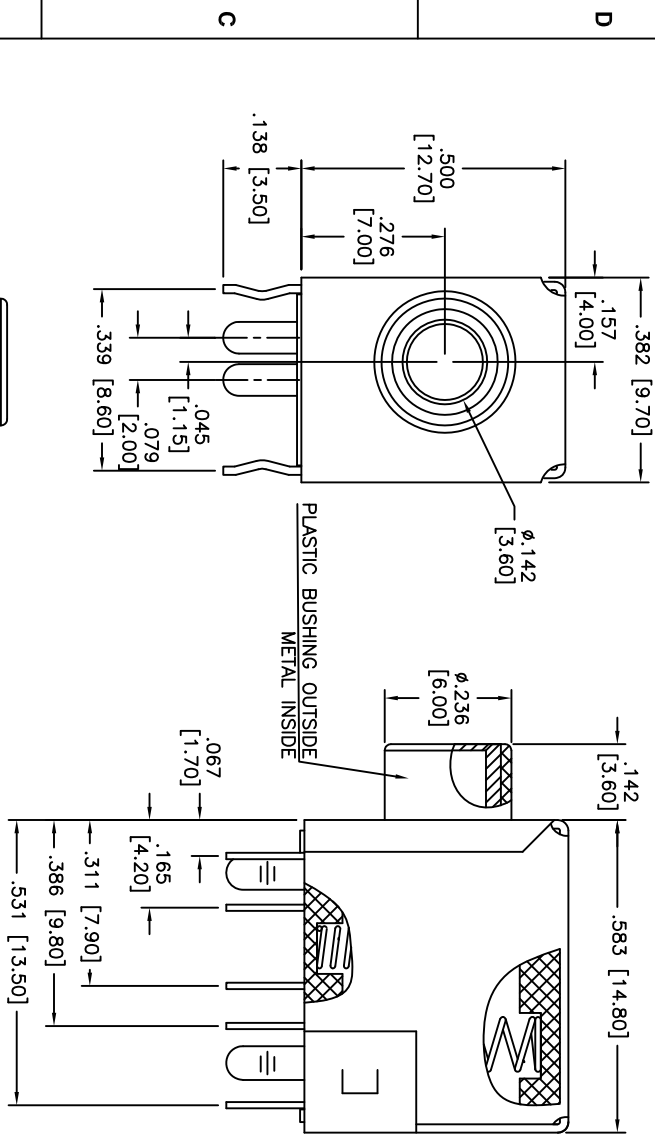
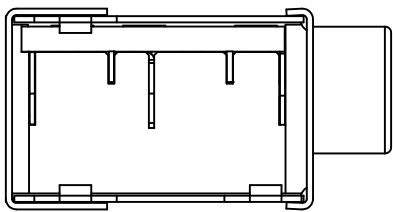


APPROVED: _____
 DATE: _____ TITLE: _____

| Rev | AWO # | Description | Date | Appr |
|-----|-------|-------------|----------|------|
| - | | RELEASED | 6/04/10 | |
| A | | ADDED TITLE | 10/27/10 | |



RECOMMENDED PCB LAYOUT



| CONTACT FORM | ASJ-100-3-PBM | ASJ-100-3A-PBM | ASJ-100-4B-PBM | ASJ-100-5-PBM |
|--------------|---------------|----------------|----------------|---------------|
| SCHMATIC | | | | |

SPECIFICATIONS:

Material: Housing: PBT, rated UL94V-0
 Contacts: Copper Alloy
 Shell: Steel, Nickel plated
 Plating: Tin over Copper underplate
 Electrical: Rating: DC 30V, 0.5A max.
 Contact Resistance: 30 mOhm Max
 Insulation Resistance: 100 Mohm Min @ DC 250V
 Dielectric Withstanding Voltage: 500V AC For 1 Minute.
 Environmental: Lead free, RoHS compliant.
 Recommended soldering temp: 235°C for 5 sec.

ADAM TECH

909 Railway Avenue, Union, NJ 07083
 Phone: 908-687-5000 Fax: 908-687-5710

3.5MM STEREO PHONE JACK
 PLASTIC BUSHING OUTSIDE METAL INSIDE

| UNLESS OTHERWISE SPECIFIED ALL DIMENSIONS ARE INCHES [MM] | |
|--|--------------|
| TOLERANCES: EXCEPT AS NOTED | |
| INCHES | HOLES |
| .X ± .10 | ØXX ± .10 |
| .XX ± .020 | ØXXX ± .015 |
| .XXX ± .015 | ØXXXX ± .010 |
| APPROVALS | DATE |
| DRAWN | DRY |
| CHECKED | 6/04/10 |
| APPROVED | |

| TITLE | | PART NO. | | REV. |
|--------------------------------------|---------|---------------|-----|--------------|
| 3.5MM STEREO PHONE JACK | | ASJ-100-X-PBM | | A |
| PLASTIC BUSHING OUTSIDE METAL INSIDE | | SCALE: NTS | | SHEET 1 OF 1 |
| REF: | S00002C | SCALE: | NTS | SHEET 1 OF 1 |