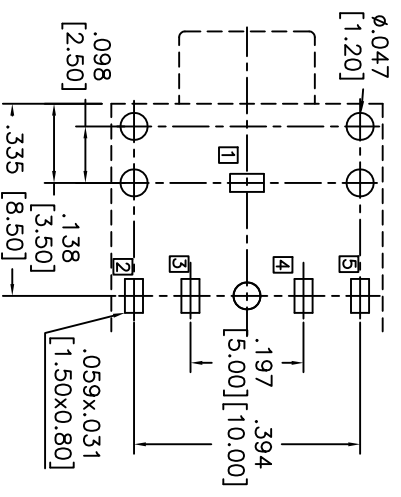
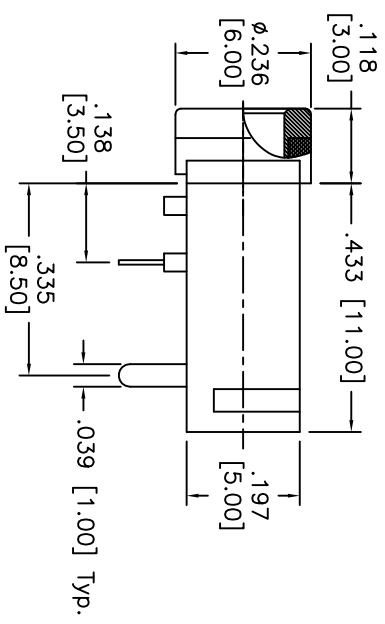
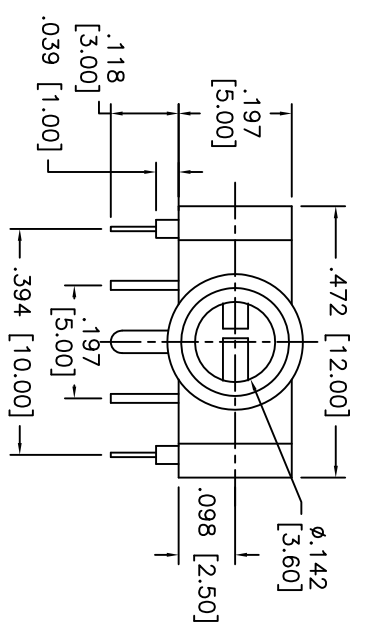
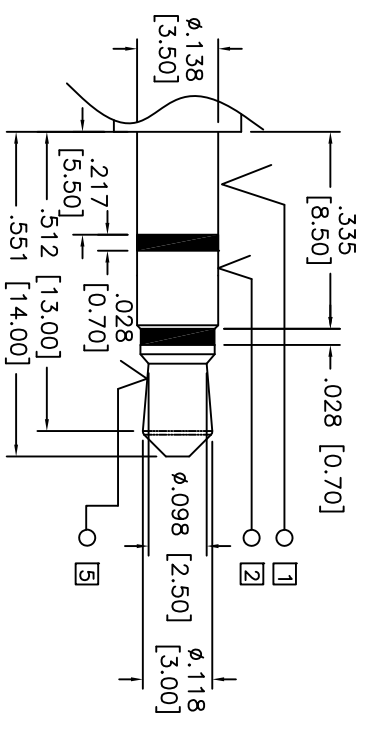
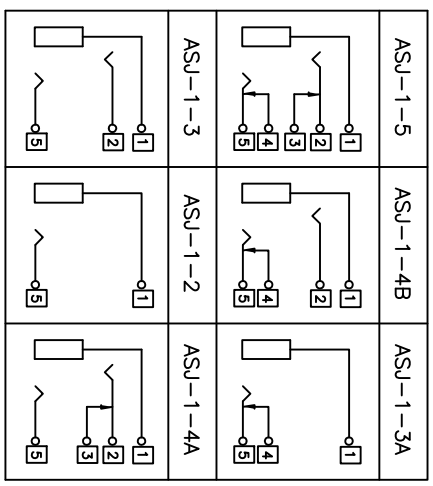
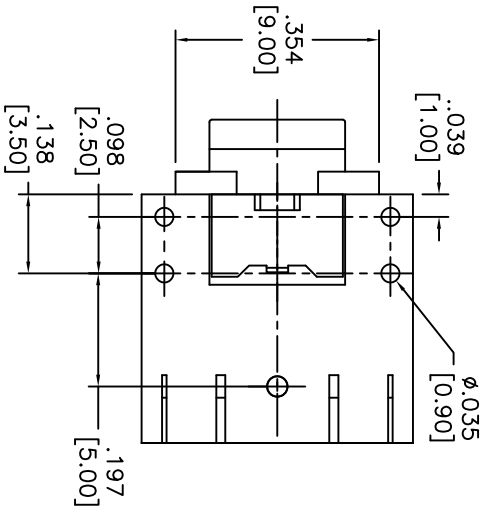


Rev	AWO #	Description	Date	Appr
-		RELEASED	7/12/10	

APPROVED: _____
 DATE: _____ TITLE: _____



RECOMMENDED PCB LAYOUT



MATING PLUG

SPECIFICATIONS:

Material: Insulator: PBT, rated UL 94V-0
 Contacts color: Black
 Bushing: Copper Alloy, Tin plated.
 Electrical: Operating voltage: 30 VDC max.
 Contact rating: 0.5 Amp max.
 Contact resistance: 50 mohms max.
 Insulation resistance: 100 Mohms min.
 Dielectric withstanding voltage: 500 VAC for 1 minute
 Temperature Rating: Operating temperature: -20°C to +70°C
 Environmental: Lead free, RoHS compliant.
 Recommended soldering temp: 235°C for 5 sec.



ADAM TECH

909 Rahway Avenue, Union, NJ 07083
 Phone: 908-687-5000 Fax: 908-687-5710

STEREO PHONE JACK, 3.5mm

UNLESS OTHERWISE SPECIFIED ALL DIMENSIONS ARE INCHES [MM]	
TOLERANCES: EXCEPT AS NOTED	HOLDS
.X ± .10	ØXX ± .10
.XX ± .020	ØXXX ± .015
.XXX ± .015	ØXXXX ± .010
APPROVALS	DATE
DRAWN	DY
CHECKED	
APPROVED	
	7/12/10

SIZE	PART NO.	REV.
X	ASJ-1-X	-
REF: S00002C	SCALE: NTS	SHEET 1 OF 1