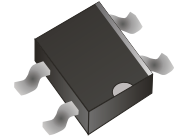


CDBHD140L-G Thru. CDBHD1100L-G

Reverse Voltage: 40 to 100 Volts

Forward Current: 1.0 Amp

RoHS Device

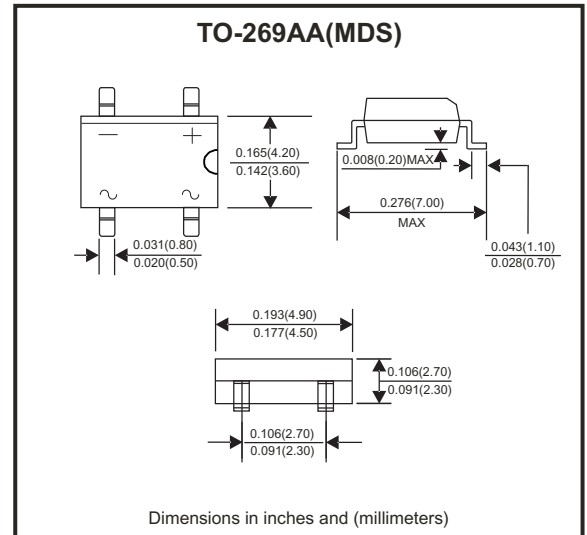


Features

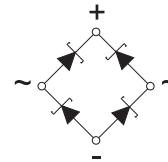
- Schottky barrier chips in TO-269AA bridge.
- Metal semiconductor junction with guard ring.
- Silicon epitaxial planar chips.
- Very low forward drop down voltage.
- For use in low voltage, high efficiency inverters, free wheeling, and polarity protection applications.

Mechanical data

- Case: Molded plastic, TO-269AA(MDS)
- Epoxy: UL94-V0 rated flame retardant
- Terminals: Solder plated, solderable per MIL-STD-750, Method 2026
- Polarity: Marked on body
- Mounting Position: Any
- Weight: 0.13 grams(approx.).



Circuit diagram



Maximum Ratings and Electrical Characteristics

Parameter	Conditions	Symbol	CDBHD 140L-G	CDBHD 160L-G	CDBHD 1100L-G	Unit
Repetitive peak reverse voltage		V_{RRM}	40	60	100	V
Continuous reverse voltage		V_R	40	60	100	V
RMS voltage		V_{RMS}	28	42	70	V
Peak forward surge current	8.3ms single half sine-wave (JEDEC method)	I_{FSM}	30			A
Average forward rectified current	0.2x0.2"(5.0x5.0mm) copper pad, See fig.1	I_{AV}	1			A
Forward voltage	Per element at 1.0A peak	V_F	0.44	0.625	0.75	V
Reverse current	$V_R=V_{RRM}, T_J=25^{\circ}C$	I_R	0.5			mA
	$V_R=V_{RRM}, T_J=100^{\circ}C$	I_R	20			
Typ. thermal resistance	Junction to ambient	$R_{\theta JA}$	85			$^{\circ}C/W$
	Junction to lead	$R_{\theta JL}$	20			
Typ. Diode junction capacitance	f=1MHz and applied 4V DC reverse voltage.	C_J	250			pF
Operating junction temperature Range		T_J	-55 to +125	-55 to +150		$^{\circ}C$
Storage temperature Range		T_{STG}	-65 to +175			$^{\circ}C$

RATING AND CHARACTERISTIC CURVES (CDBHD140L-G thru CDBHD1100L-G)

Fig.1 - Forward Current Derating Curve

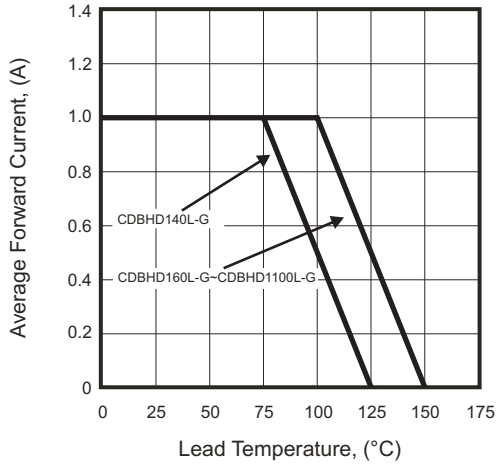


Fig.2 - Maximum Non-Repetitive Peak Forward Surge Current

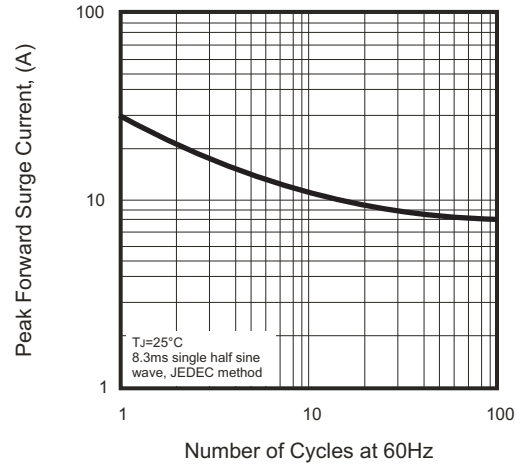


Fig.3 - Typical Instantaneous Forward Characteristics

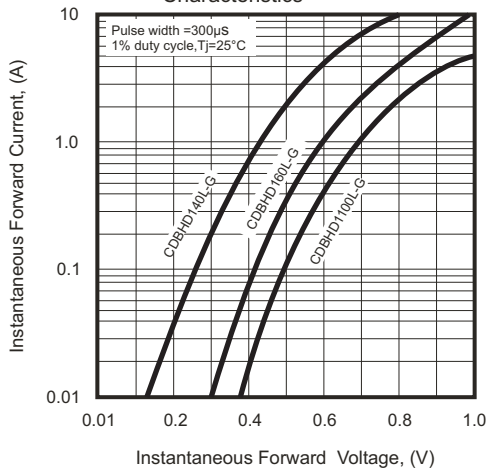


Fig.4A - Typical Reverse Characteristics

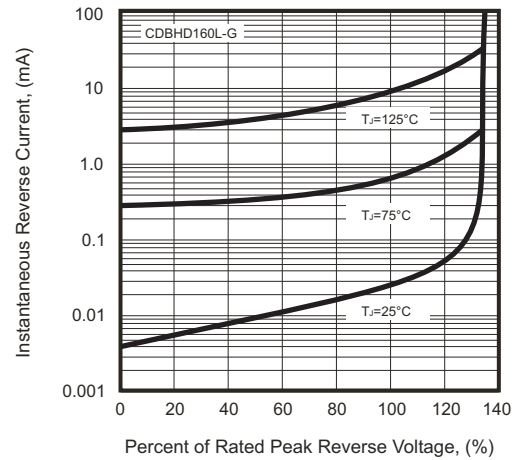


Fig.5 - Typical Junction Capacitance

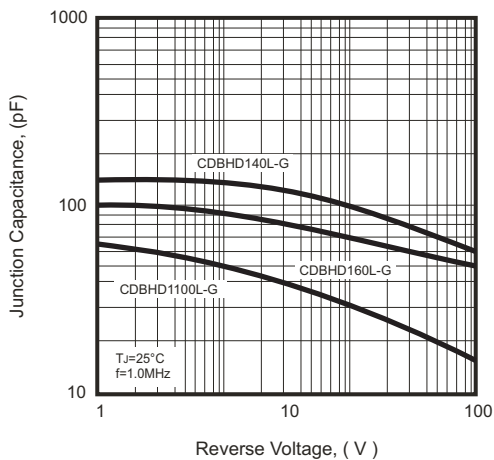
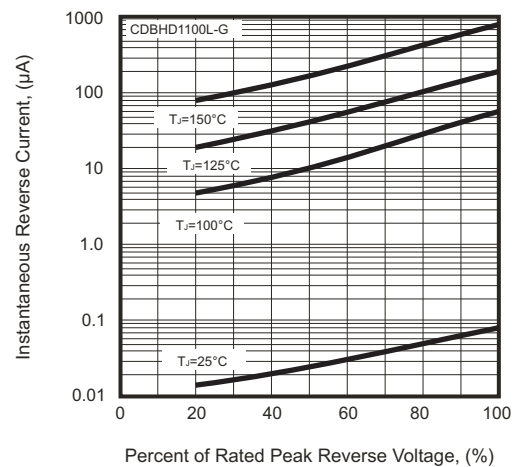
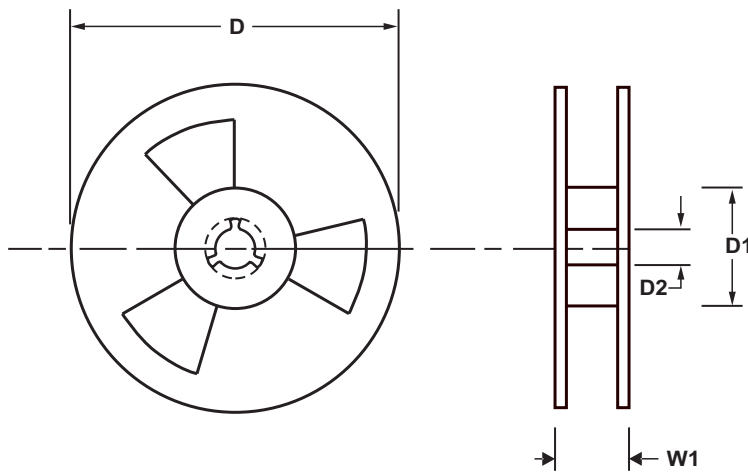
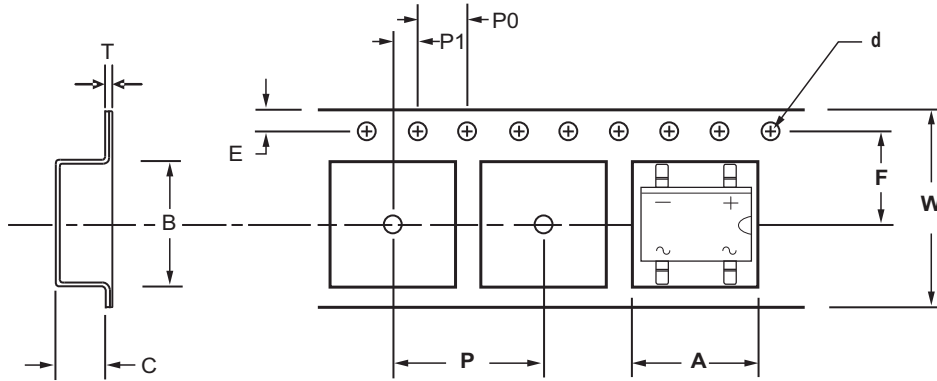


Fig.4B- Typical Reverse Characteristics



Reel Taping Specification

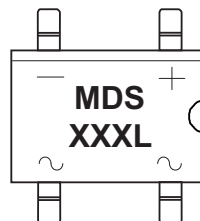


TO-269AA(MDS)	SYMBOL	A	B	C	d	D	D1	D2
	(mm)	5.00 ± 0.10	7.24 ± 0.10	3.33 ± 0.10	1.50 ± 0.10	330 ± 2.00	50 MIN.	13.00 ± 0.50
	(inch)	0.197 ± 0.004	0.285 ± 0.004	0.131 ± 0.004	0.059 ± 0.004	12.992 ± 0.079	1.969 MIN.	0.512 ± 0.020

TO-269AA(MDS)	SYMBOL	E	F	P	P0	P1	W	W1
	(mm)	1.75 ± 0.10	5.50 ± 0.10	8.00 ± 0.10	4.00 ± 0.10	2.00 ± 0.10	12.00 ± 0.30	18.00 ± 1.00
	(inch)	0.069 ± 0.004	0.138 ± 0.004	0.315 ± 0.004	0.157 ± 0.004	0.079 ± 0.004	0.472 ± 0.012	0.709 ± 0.039

Marking Code

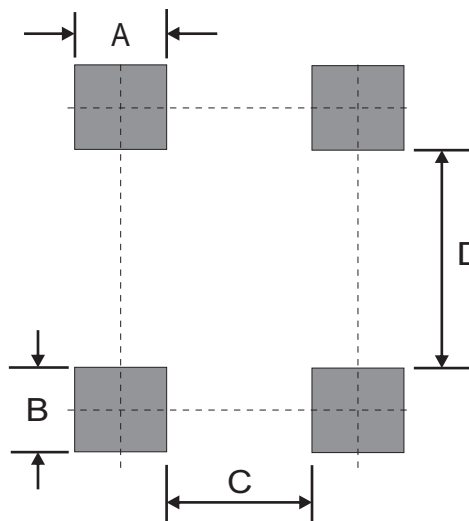
Part Number	Marking Code
CDBHD140L-G	MDS14L
CDBHD160L-G	MDS16L
CDBHD1100L-G	MDS110L



XXL / XXXL = Product type marking code

Suggested PAD Layout

SIZE	TO-269AA(MDS)	
	(mm)	(inch)
A	0.58	0.023
B	0.76	0.030
C	1.78	0.070
D	5.75	0.226



Standard Packaging

Case Type	REEL PACK	
	REEL (pcs)	Reel Size (inch)
TO-269AA(MDS)	2,500	13