

Medium Frequency Capacitors, Water Cooled

ESTafilm[®], TWIN OUTPUTS FOR EXTREME CURRENT LOADING, 1000 - 10000Hz

VERSION A

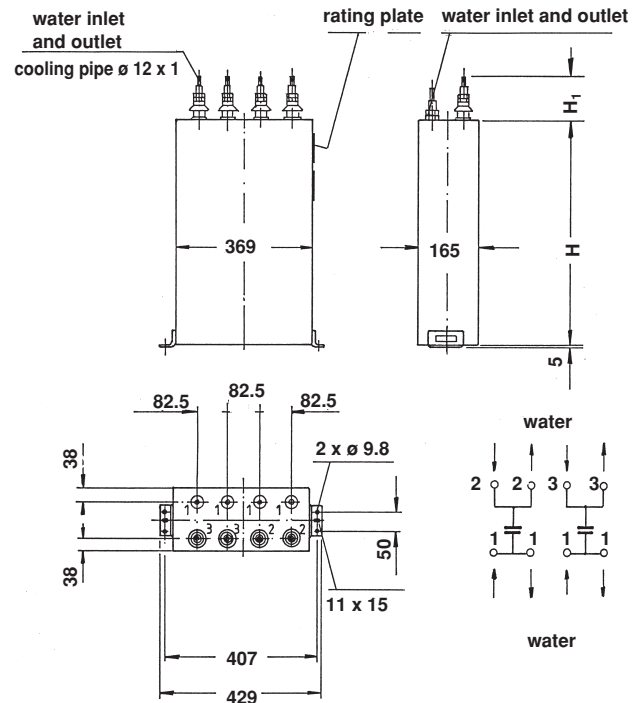
Total output subdivided in 2 sections of equal capacity

VERSION B

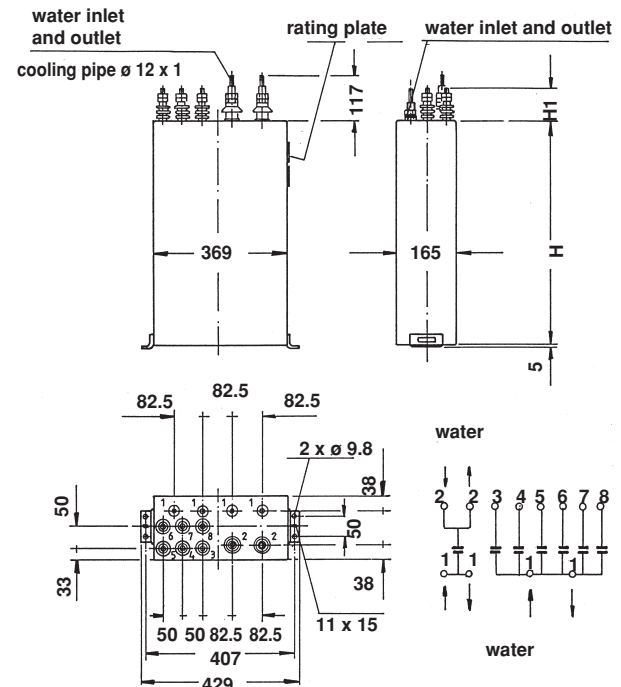
Total output subdivided in 2 sections of equal capacity, with one of the two sections subdivided in 6 equal-size partial outputs.

DESIGN

- All-film winding in brass sheet welded casing;
- Casing conductive;
- Casing varnish RAL 7033;
- IP00, indoor;
- Ambient temperature 1°C 50°C;
- Outflowing water temperature 40° C maximum;
- Water-cooled current connections M20;
- Water tubing conductive;
- Partial outputs of version B provided with connection bolts M12 or M20 (depending on application current);
- Mounting in the upright or horizontal position;
- Upon request, pressure monitoring;

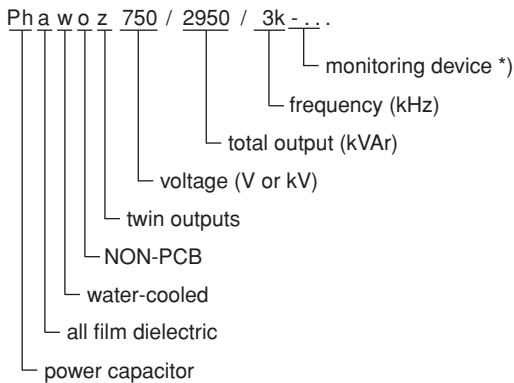


Version A

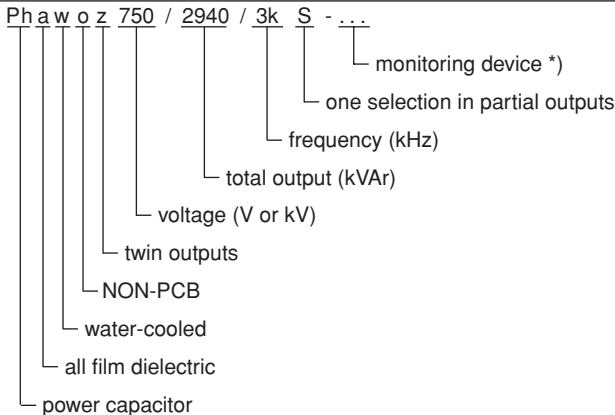


Version B

TYPE DESIGNATION: VERSION A



TYPE DESIGNATION: VERSION B



*) - DR = pressure switch

1000-10000Hz TWIN OUTPUTS

F_N (Hz)	U_N (V)	Q_N (kVAR)	C_N (μ F)	I_N (A)	H (mm)	VERSION
1000	250	700	1783	2800	1000	A
	250	680	1732	2720	1000	B
600	600	2500	1105	4167	1000	A
	600	2400	1061	4000	1000	B
750	750	3375	955	4500	900	A
	750	3360	951	4480	900	B
1000	1000	4500	716	4500	850	A
	1000	4500	716	4500	900	B
1500	1500	6750	478	4500	1000	A
	1500	6540	463	4360	1000	B
2000	2000	6500	259	3250	1000	A
	2000	6400	255	3200	1000	B
2000	250	1000	1273	4000	750	A
	250	1000	1273	4000	800	B
600	600	2500	553	4167	550	A
	600	2400	531	4000	600	B
750	750	3000	424	4000	500	A
	750	3000	424	4000	550	B
1000	1000	4100	326	4100	500	A
	1000	4000	318	4000	550	B
1500	1500	6000	212	4000	550	A
	1500	6000	212	4000	650	B
2000	2000	8000	159	4000	700	A
	2000	8000	159	4000	800	B
2400	2400	9600	133	4000	1000	A
	2400	8800	122	3667	1000	B
3000	250	980	832	3920	550	A
	250	980	832	3920	550	B
600	600	2300	339	3833	450	A
	600	2300	339	3833	450	B
750	750	2950	278	3933	450	A
	750	2940	277	3920	450	B
1000	1000	3900	207	3900	400	A
	1000	3900	207	3900	450	B
1500	1500	5900	139	3933	400	A
	1500	5900	139	3933	450	B
2000	2000	7800	104	3900	550	A
	2000	7800	104	3900	600	B



1000-10000Hz TWIN OUTPUTS						
F_N (Hz)	U_N (V)	Q_N (kVAr)	C_N (µF)	I_N (A)	H (mm)	VERSION
4000	250	940	598	3760	400	A
	250	940	598	3760	450	B
	600	2200	243	3667	400	A
	600	2200	243	3667	400	B
	750	2800	198	3733	400	A
	750	2800	198	3733	400	B
	1000	3800	151	3800	450	A
	1000	3800	151	3800	450	B
	1500	5600	99	3733	400	A
	1500	5600	99	3733	500	B
	2000	7500	75	3750	450	A
	2000	7500	75	3750	650	B
5000	250	920	469	3680	450	A
	250	920	469	3680	450	B
	600	2200	195	3667	400	A
	600	2200	195	3667	400	B
	750	2700	153	3600	400	A
	750	2700	153	3600	450	B
	1000	3600	115	3600	450	A
	1000	3600	115	3600	400	B
	1500	5500	78	3667	450	A
	1500	5500	78	3667	550	B
	2000	7300	58	3650	400	A
	2000	7300	58	3650	650	B
8000	250	860	274	3440	450	A
	250	860	274	3440	450	B
	600	2000	111	3333	400	A
	600	2000	111	3333	400	B
	750	2500	88	3333	400	A
	750	2500	88	3333	400	B
	1000	3400	68	3400	450	A
	1000	3400	68	3400	400	B
	1500	5000	44	3333	400	A
	1500	5000	44	3333	400	B
10000	250	820	209	3280	450	A
	250	820	209	3280	400	B
	600	2000	88	3333	450	A
	600	2000	88	3333	450	B
	750	2400	68	3200	400	A
	750	2400	68	3200	400	B
	1000	3300	53	3300	450	A
	1000	3300	53	3300	400	B
	1500	5000	35	3333	450	A
	1500	5000	35	3333	450	B

Shown are the maximum power ratings, other power ratings, voltages, and frequencies on request.