

HIGH VOLTAGE DARLINGTON OUTPUT OPTICALLY COUPLED ISOLATOR

APPROVALS

- UL recognised, File No. E91231

DESCRIPTION

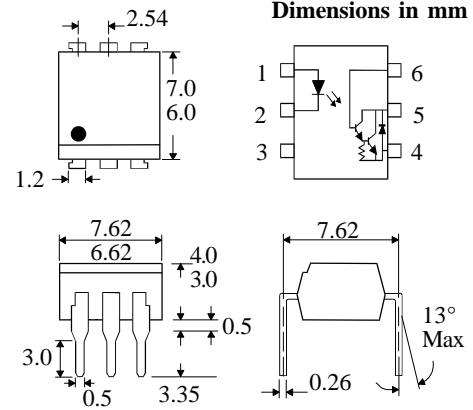
The IS725 is an optically coupled isolator consisting of infrared light emitting diode and a high voltage NPN silicon photo darlington which has an integral base-emitter resistor to optimise switching speed and elevated temperature characteristics in a standard 6pin dual in line plastic package.

FEATURES

- Options :-
10mm lead spread - add G after part no.
Surface mount - add SM after part no.
Tape&reel - add SMT&R after part no.
- High Isolation Voltage ($5.3kV_{RMS}, 7.5kV_{PK}$)
- High Current Transfer Ratio (1000% min.)
- High BV_{CEO} (300V min.)
- Low collector dark current :-
 $1\mu A$ max. at $200V V_{CE}$
- Low input current $1mA I_F$

APPLICATIONS

- Modems
- Copiers, facsimiles
- Numerical control machines
- Signal transmission between systems of different potentials and impedances



ABSOLUTE MAXIMUM RATINGS (25°C unless otherwise specified)

Storage Temperature _____ -55°C to + 150°C
 Operating Temperature _____ -55°C to + 100°C
 Lead Soldering Temperature
 (1/16 inch (1.6mm) from case for 10 secs) 260°C

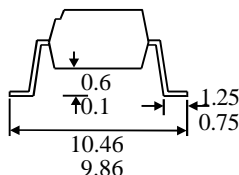
INPUT DIODE

Forward Current _____ 50mA
 Reverse Voltage _____ 6V
 Power Dissipation _____ 70mW

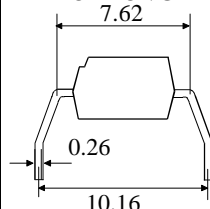
OUTPUT TRANSISTOR

Collector-emitter Voltage BV_{CEO} _____ 300V
 Collector-base Voltage BV_{CBO} _____ 300V
 Emitter-base Voltage BV_{ECO} _____ 6V
 Collector Current I_C _____ 150mA
 Power Dissipation _____ 300mW

OPTION SM SURFACEMOUNT



OPTION G



POWER DISSIPATION

Total Power Dissipation _____ 350mW

ISOCOMCOMPONENTSLTD

Unit 25B, Park View Road West,
 Park View Industrial Estate, Brenda Road
 Hartlepool, TS25 1YD England Tel: (01429)863609
 Fax: (01429) 863581 e-mail sales@isocom.co.uk
<http://www.isocom.com>

ISOCOM INC

1024 S. Greenville Ave, Suite 240,
 Allen, TX 75002 USA
 Tel: (214)495-0755 Fax: (214)495-0901
 e-mail info@isocom.com
<http://www.isocom.com>

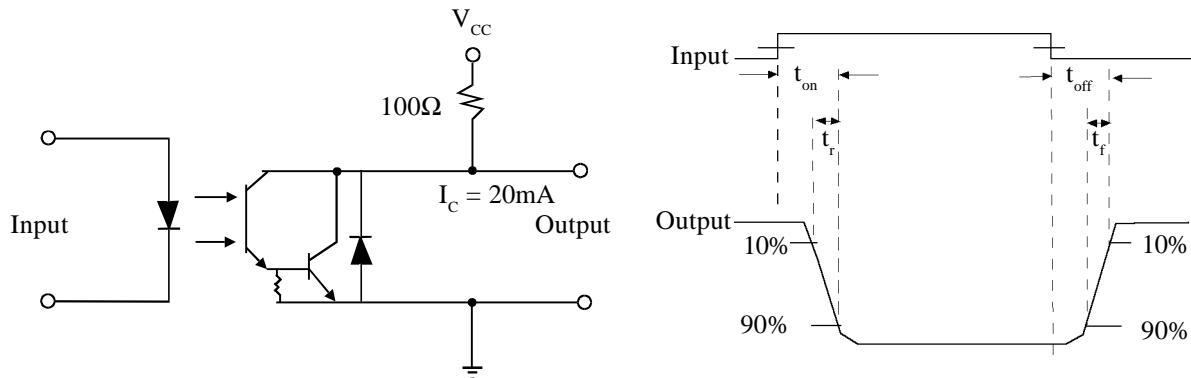
ELECTRICAL CHARACTERISTICS ($T_A = 25^\circ\text{C}$ Unless otherwise noted)

PARAMETER		MIN	TYP	MAX	UNITS	TEST CONDITION
Input	Forward Voltage (V_F)		1.2	1.4	V	$I_F = 10\text{mA}$ $I_R = 10\mu\text{A}$ $V_R = 6\text{V}$
	Reverse Voltage (V_R)	6			V	
	Reverse Current (I_R)			10	μA	
Output	Collector-emitter Breakdown (BV_{CEO})	300			V	$I_C = 1\text{mA}$ $I_C = 0.1\text{mA}$
	Collector-base Breakdown (BV_{CBO})	300			V	
	Emitter-base Breakdown (BV_{EBO})	6			V	$I_E = 0.1\text{mA}$
	Collector-emitter Dark Current (I_{CEO})			1	μA	$V_{CE} = 200\text{V}$
Coupled	Current Transfer Ratio (CTR)	1000	4000		%	$1\text{mA } I_F, 2\text{V } V_{CE}$ $20\text{mA } I_F, 100\text{mA } I_C$
	Collector-emitter Saturation Voltage $V_{CE(SAT)}$			1.2	V	
	Input to Output Isolation Voltage V_{ISO}	5300			V_{RMS}	See note 1
		7500			V_{PK}	See note 1
	Input-output Isolation Resistance R_{ISO}	5×10^{10}			Ω	$V_{IO} = 500\text{V}$ (note 1)
	Input-output Capacitance C_f			1	pF	$V = 0, f = 1\text{MHz}$
Cut-off frequency	f_c	1			kHz	$V_{CE} = 2\text{V}, I_C = 20\text{mA},$ $R_L = 100\Omega, R_{BE} = \text{open}$
Output Rise Time	t_r			300	μs	$V_{CE} = 2\text{V}, I_C = 20\text{mA},$ $R_L = 100\Omega, R_{BE} = \text{open}$
Output Fall Time	t_f			100	μs	

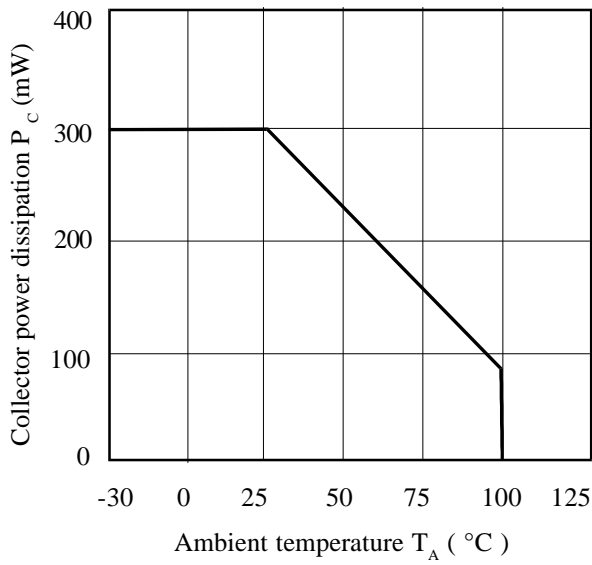
Note 1 Measured with input leads shorted together and output leads shorted together.

Note 2 Special Selections are available on request. Please consult the factory.

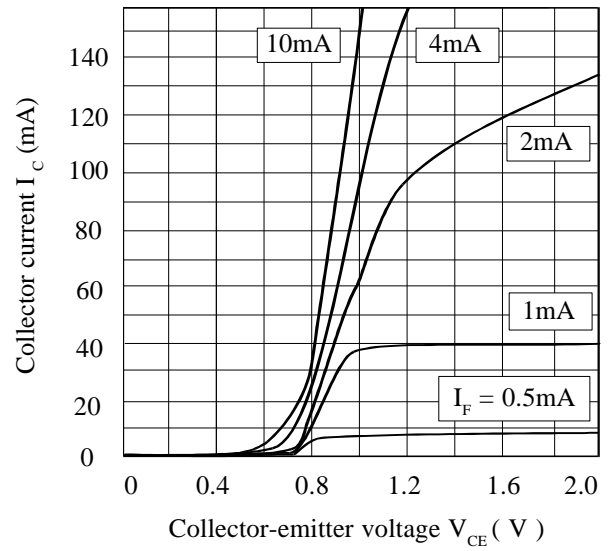
FIGURE 1



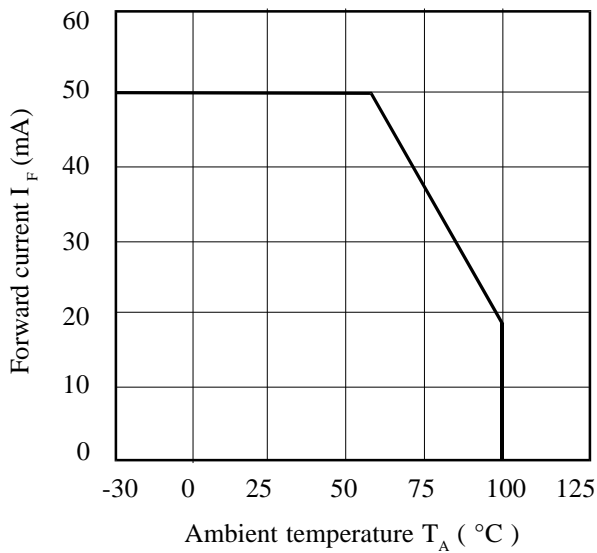
Collector Power Dissipation vs. Ambient Temperature



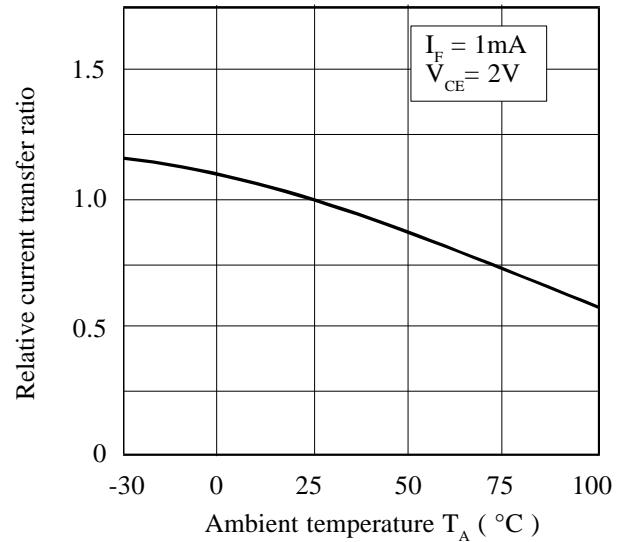
Collector Current vs. Collector-emitter Voltage



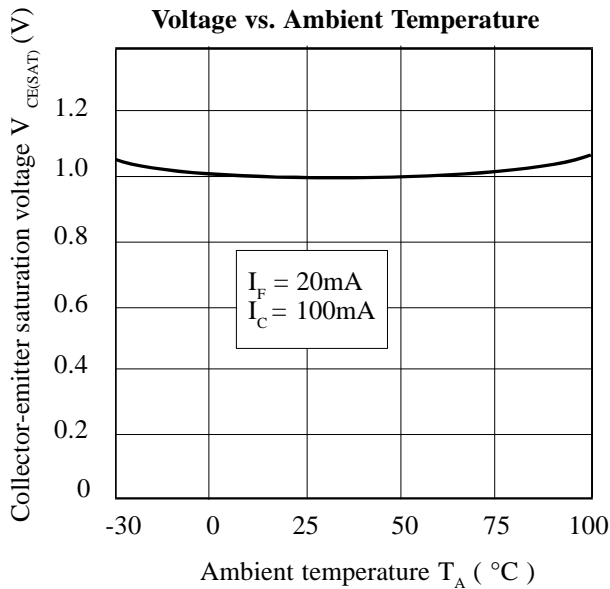
Forward Current vs. Ambient Temperature



Relative Current Transfer Ratio vs. Ambient Temperature



Collector-emitter Saturation Voltage vs. Ambient Temperature



Collector Dark Current vs. Ambient Temperature

