

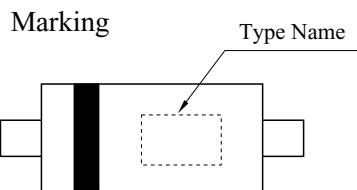
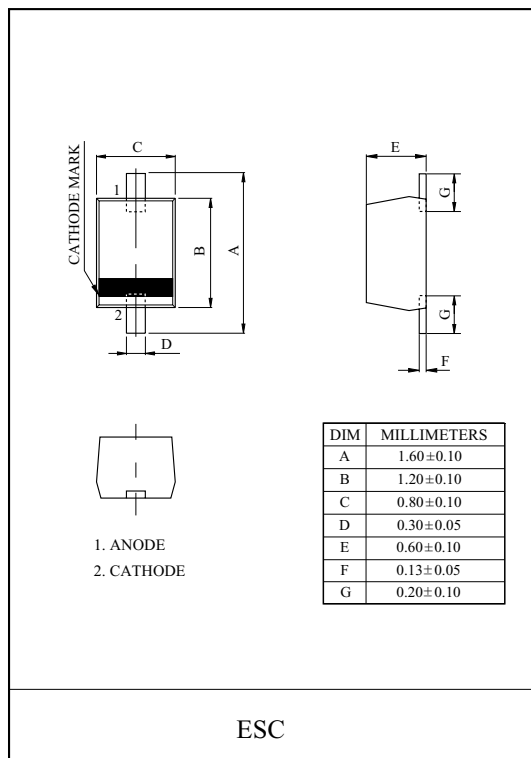
FM RADIO BAND TUNING APPLICATION.

#### FEATURES

- High Capacitance Ratio :  $C_{0.2V}/C_{2.3V} = 2.5(\text{Min.})$
- Low Series Resistance :  $r_s = 0.6$  (Max.)
- Small Package : ESC.

#### MAXIMUM RATING (Ta=25 )

CHARACTERISTIC	SYMBOL	RATING	UNIT
Reverse Voltage	$V_R$	6	V
Junction Temperature	$T_j$	150	
Storage Temperature Range	$T_{stg}$	-55 150	



#### ELECTRICAL CHARACTERISTICS (Ta=25 )

CHARACTERISTIC	SYMBOL	TEST CONDITION	MIN.	TYP.	MAX.	UNIT
Reverse Current	$I_{R1}$	$V_R = 6V$	-	-	10	nA
	$I_{R2}$	$V_R = 6V, T_j = 85$	-	-	100	
Capacitance	$C_{0.2V}$	$V_R = 0.2V, f = 1MHz$	28.2	-	33.5	pF
	$C_{2.3V}$	$V_R = 2.3V, f = 1MHz$	7.2	-	11.2	
Capacitance Ratio	$C_{0.2V}/C_{2.3V}$	-	2.5	-	-	
Series Resistance	$r_s$	$C_T = 30pF, f = 100MHz$	-	0.35	0.6	

#### CLASSIFICATION OF CAPACITANCE RATIO GRADE

GRADE	CAPACITANCE (C2.3V)	UNIT	MARK
(NONE)	7.2 11.2	pF	FA
A	7.2~8.7		F1
B	8.3 9.7		F2
C	9.3~10.7		F3
D	10.3~11.2		F4

# KDV202E

