

GOT3157W-834-PCT

15.6" WXGA TFT Fanless Multi-Touch Panel Computer with Intel® Celeron® Processor J1900 (-10°C ~ +50°C)



- | | |
|--------------------------------------|---------------------------|
| 1. Power switch | 7. USB 3.0 x 2 |
| 2. Terminal block for DC power input | 8. Audio(Line-out) |
| 3. USB 2.0 x 2 | 9. CFast™ slot |
| 4. COM 1 (RS-232/422/485) | 10. Backlight switch |
| 5. COM 2 (RS-232/422/485) | 11. Brightness adjustment |
| 6. Ethernet x 2 | |



Introduction

The GOT3157W-834-PCT adopts a 15.6-inch WXGA LCD and supports Intel® Bay Trail-D processor. By supporting a wide range operating temperature from -10°C to +50°C, it can be used in harsh environment. The rugged industrial panel PC supports low power Intel® Celeron® processor J1900. It also provides two PCIe mini card slots for 3G, wireless network connectivity. This 15.6" multi-touch panel computer is suitable for transportation, heavy-duty industry, smart factory automation, and oil pipe monitoring systems.

Wide Temperature Range Support

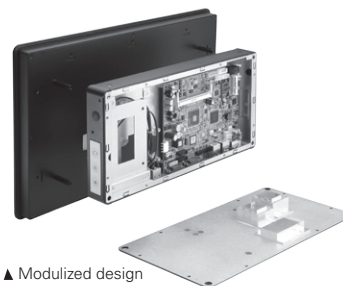
The Intel® Bay Trail-based GOT3157W-834-PCT applies unique extended temperature technology with wide temperature range support as well as fanless operation. It also has a compact design for harsh environment.

WLAN Antenna Support (optional)

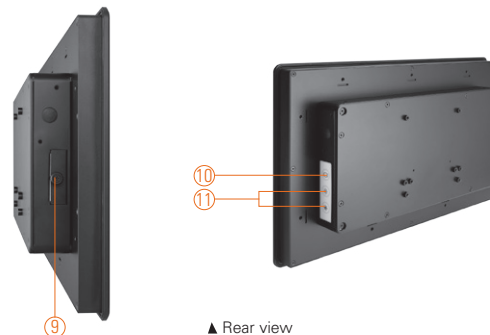
The 15.6" WXGA IP65 industrial panel PC, GOT3157W-834-PCT, provides two PCIe mini card slots and WLAN antennas for 3G and wireless network connectivity.

Features

- 15.6" WXGA TFT with projected capacitive multi-touch
- Fanless design with Intel® Celeron® processor J1900 4C@2.0 GHz (Bay Trail)
- Supports 2.5" SATA HDD & CFast™ or mSATA
- Supports WLAN/3G module & antenna (optional)
- Supports 2 Gigabit LAN, 2 USB 2.0, 2 USB 3.0 and 2 COM ports
- IP65 front bezel
- Supports panel mount and optional VESA arm/desktop stand/wall mount
- Supports wide temperature range of -10°C ~ +50°C
- Adjust RS-232/422/485 setting via BIOS



▲ Modular design



▲ Rear view

Specifications

Front Bezel	IP65 front bezel	
LCD Panel	Display Type	15.6" WXGA TFT LCD
	Brightness (cd/m ²)	400 nits
	Resolution	1366 x 768
Main System	CPU	Intel® Bay Trail-D Celeron® processor J1900 4C@ 2.0 GHz (up to 2.42 GHz)
	Chipset	SoC Intergrated
	System Memory	1 x 204-pin DDR3L-1333/1600 SO-DIMM up to 8 GB
	BIOS	AMI UEFI BIOS
	Storage	1 x 2.5" SATA HDD 1 x CFast™ or 1 x mSATA
	Watchdog Timer	255 levels, 0-255 sec.
	Onboard Graphics	Integrated Intel® HD Graphics



Specifications

I/O Connector	2 x RS-232/422/485 (COM 1/2) 1 x Switch for power on/off (ATX) 1 x Audio (Line-out) 2 x USB 3.0, 2 x USB 2.0 2 x 10/100/1000Mbps Ethernet
Expansion Interface	2 x PCIe Mini Card slots
Touchscreen	Projected Capacitive multi-touch
Power Supply	1. DC version : 9-36VDC 2. AC version : 12VDC w/adapter
Dimensions	396 mm (15.6") (W) x 53.9 mm (2.12") (D) x 247.1 mm (9.73") (H)
Packing Dimensions	525 mm (20.67") (W) x 470 mm (18.51") (D) x 186 mm (7.32") (H)
Weight (net/gross)	5.0 kg (11.02 lb)/7.0 kg (15.43 lb)
Environment	Operating temperature: -10°C ~ +50°C (+14°F ~ +122°F) Storage Temperature: -20°C ~ +60°C (-4°F ~ +140°F) Relative humidity: 20% ~ 90% @ 40°C; non-condensing Operation vibration: 2G, 10 ~ 500Hz, random for CompactFlash™
Certificate	CE

Ordering Information

GOT3157W-834-PCT-J	15.6" WXGA TFT fanless touch panel computer with Intel® Celeron® J1900 2.0 GHz (up to 2.42 GHz) quad core processor, projected capacitive multi-touch screen and AC-DC 12V power adapter (screw type connector)
GOT3157W-834-PCT-DC	15.6" WXGA TFT fanless touch panel computer with Intel® Celeron® J1900 2.0 GHz (up to 2.42 GHz) quad core processor, projected capacitive multi-touch screen and 9-36VDC terminal block connector

Optional EOS Installation

WES7	
WEBS	

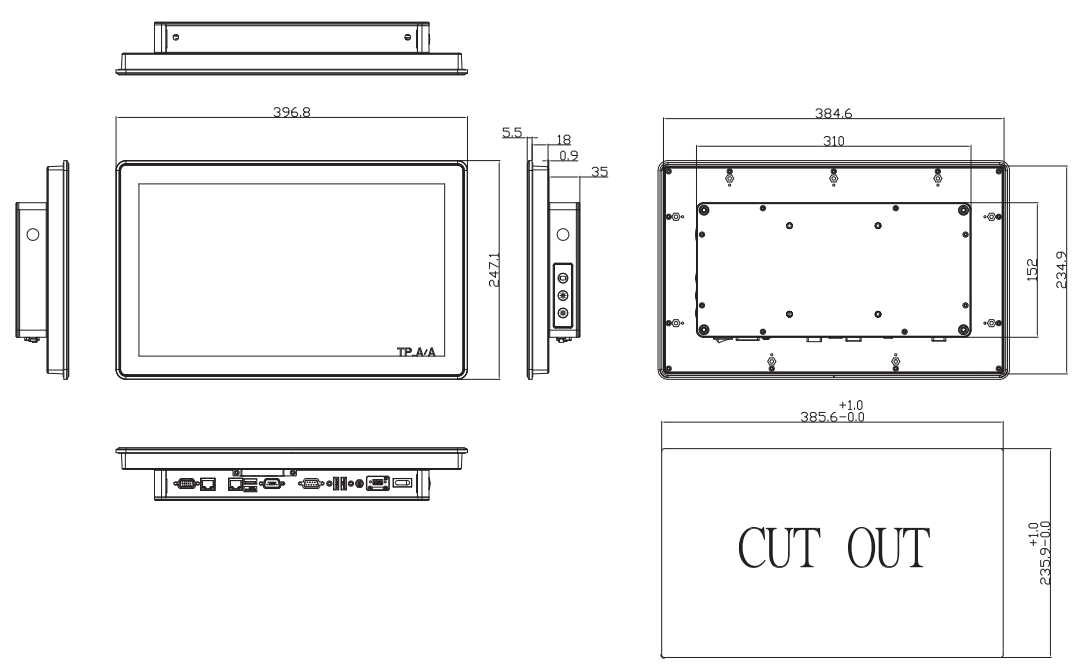
Optional OS Installation

Windows® 8.1	
Windows® 7	



▲ Ideal for factory automation & self-service kiosk in retail

Dimensions



Overview

Fanless Touch Panel Computers

2

Heavy-duty Fanless Touch Panel Computers

Industrial Touch Panel Computers

Industrial Touch panel Monitors

Infotainment Touch Panel Computers

Healthcare & Medical Solutions

Open Frame Panel Computers

Accessories

