

600-004

Hand-Held Torque Wrench

With Lighted Electric Signal

Adjustable to desired torque level of
0 to 150 inch pounds.

3/8" Drive

Requires two Panasonic SR44W
or equivalent batteries

600-007

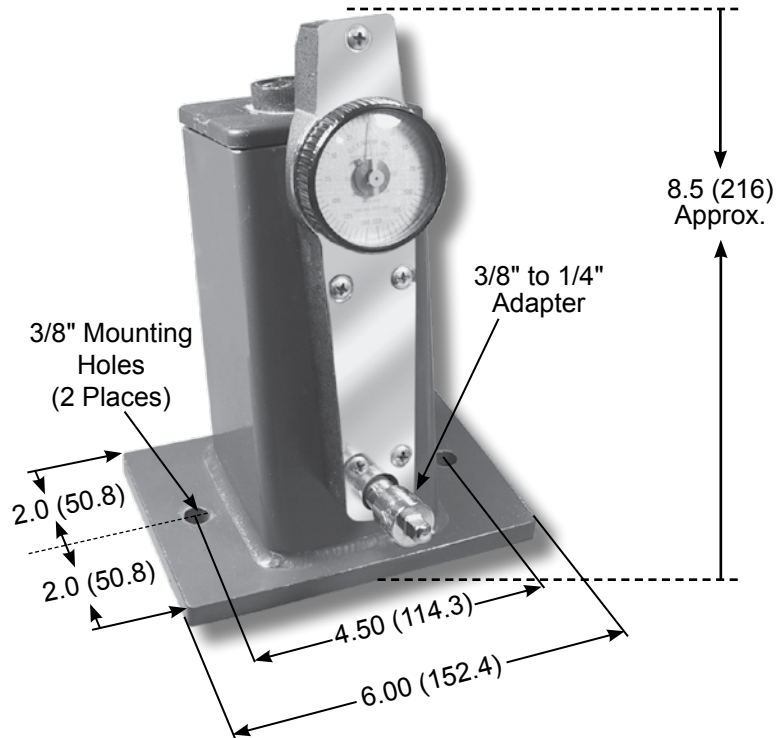
Bench-Mounted Torque Wrench

With Audible Electric Signal

Adjustable to desired torque level
of 0 to 150 inch pounds.

3/8" Drive

Requires one Panasonic SR44W
or equivalent battery



Metric Dimensions (mm) are indicated in parentheses.

H