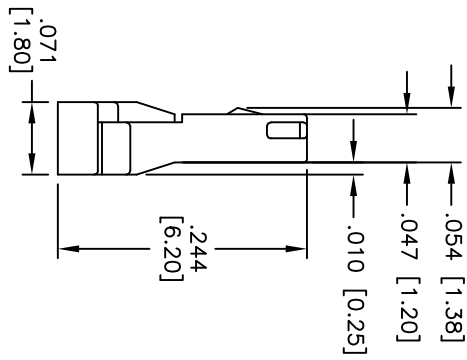
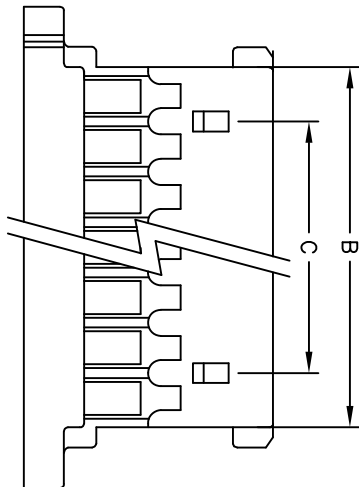
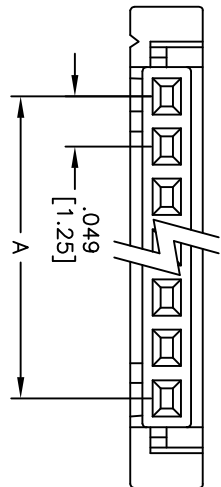


Rev	AWO #	Description	Date	Appr
-		RELEASED	2/24/11	

APPROVED: _____
 DATE: _____ TITLE: _____



Positions: 2 thru 16, 18, 20, 22, 24, 26, 28, 30
 A = .049 [1.25] X No. of Spaces
 B = .049 [1.25] X No. of Positions + .008 [0.20]
 C = .049 [1.25] X No of Spaces - .049 [1.25].....above 4 Positions

ADAM TECH

909 Rahway Avenue, Union, NJ 07083
 Phone: 908-687-5000 Fax: 908-687-5710

TITLE: .049 [1.25] PITCH CRIMP HOUSING
 SINGLE ROW, 2 THRU 30 POSITIONS

SPECIFICATIONS:
 Material: Insulator: PBT, rated UL 94V-0
 Insulator color: White
Electrical:
 Voltage rating: 125V AC/DC
 Current rating: 1A DC/DC
 Withstanding voltage: 250V AC/minute
 Insulation resistance: 100M ohms min
 Contact resistance: 20m ohms max
Temperature Rating:
 Operating temperature: -25°C to +85°C
 Environmental: Lead free, RoHS compliant.



UNLESS OTHERWISE SPECIFIED ALL DIMENSIONS ARE INCHES [MM]	
TOLERANCES: EXCEPT AS NOTED	
INCHES	HOLDS
.X ± .10	ØX ± .10
.XX ± .020	ØXX ± .015
.XXX ± .015	ØXXX ± .010
APPROVALS	DATE
DRAWN DY	2/24/11
CHECKED	
APPROVED	

REF: S00723T	SCALE: NTS	SHEET 1 OF 1
SIZE X	PART NO. 125CH-H-XX	REV. -