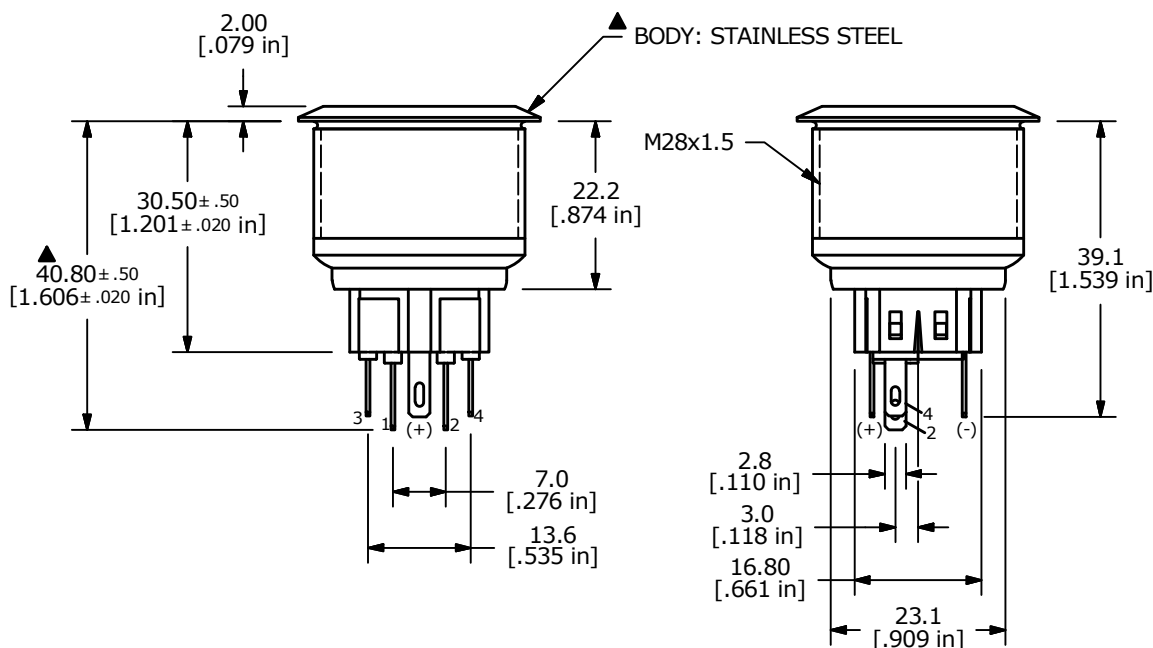
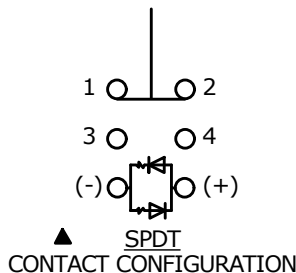


SWITCH FUNCTION	
POS. 1	POS. 2
1-2	3-4



- NOTE:
1. ALL DIMENSIONS IN MM [INCH]
 2. GENERAL TOLERANCE: X.X = ± 0.4
X.XX = ± 0.25
 3. TERMINAL NOS. FOR REF. ONLY
 4. FUNCTION: SPDT
 5. RATING: 2A @ 48VDC
 6. ILLUMINATION VOLTAGE: 20mA 1.8V
 7. CONTACT RESISTANCE: 50mΩ MAX. @ 1A 12VDC
 8. INSULATION RESISTANCE: 1,000MΩ @ 500VDC
 9. DIELECTRIC STRENGTH: 2,000VAC MIN. FOR 1 MINUTE
 10. ELECTRICAL LIFE: 50,000 CYCLES
 11. OPERATING TEMPERATURE: -20°C TO 70°C
 12. INGRESS PROTECTION: IP65
 13. ▲ DENOTES CRITICAL PARAMETER
 14. 2002/95/EC (ROHS) COMPLIANT
 15. ILLUMINATION COLOR: YELLOW (FORWARD), YELLOW (REVERSE)
 16. SUPPLIED HARDWARE: O-RING AND HEX NUT



TITLE PV9F2T0SS-351				
SCALE 1:1	DATE 4/15/2015	DR MW	DWG 52-PV9F2T0SS351	REV A

A	21830	RELEASE FOR PRODUCTION	4/15/15	MW
REV	PCR NO	DESCRIPTION	DATE	BY

THE INFORMATION CONTAINED IN THIS DOCUMENT IS PROPRIETARY TO E-SWITCH AND IS NOT TO BE COPIED OR TRANSFERRED