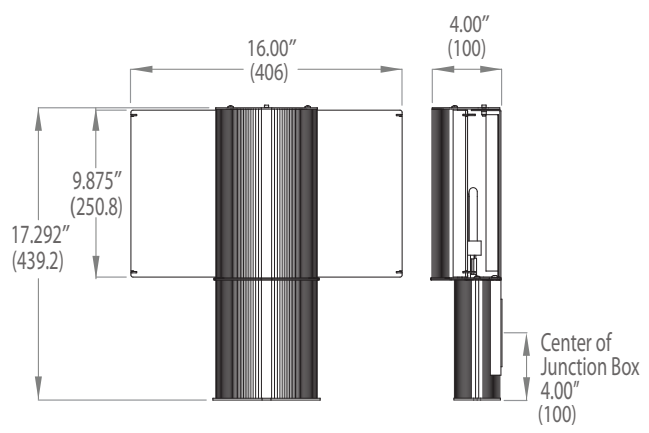


TYPE: QUANTITY: PROJECT:

CATALOG NUMBER:

 FIXTURE WATTAGE VOLTAGE FINISH OPTION OPTION OPTION OPTION



STR500/STR528



A.D.A. Compliant

- 1- Elliptical extruded aluminum ballast and lamp housing, with sliding removable tray for quick and ease of maintenance.
- 2- Micro linear prismatic acrylic diffuser panels for STR500 & STR528.
- 3- **STR500:** Inner white enamel lamp reflector. (STR500)
- 4- **STR528:** Set of two LED boards. Each with a set of 4 diodes including a 16°X50° optical spread lens.

Spectrum 500 series is available in two versions:

- STR500/STR528:** Extruded aluminum lamp housing with luminous side panels.
- STR528LP:** Extruded aluminum lamp housing without luminous side panels. (Available with LED model only)

MATERIALS

Elliptical housing is made of extruded aluminum with removable bottom cover for ease of ballast maintenance. Side diffusers are acrylic with optical micro linear prisms for a diffused front glow. White enamel inner reflector for a soft light diffusion.

ELECTRICAL

COMPACT FLUORESCENT (CFL)

- BALLAST** Universal voltage 120V/277V (347V on request) with a .99 power factor.
- SOCKET** Thermoplastic body rated for 75W-600V.

LED

- DRIVER** Standard 0-10V dimmable LED driver is 120/277V multi volt (50-60HZ) with operating temperature of -30°C/-22°F to 60°C/140°F.
- LED** LED light engine included. 18W power input.

FINISH

Polyester powder coating is applied through an electrostatic process and oven cured for long term finish.

MOUNTING

Maximum weight: 16lbs (7.2kg)
Mounts on a standard 4" (102) octagonal electrical box with 3 1/2" (89) C/C mounting holes.

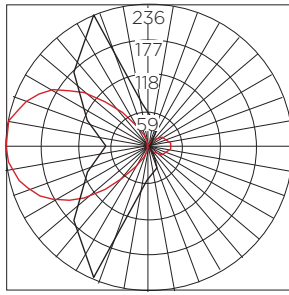
CERTIFICATION

Tested to UL1598 and CSA 22.2 #250. ETL listed dry location. Rated IP20.

STR500/STR528

SPECTRUM - CFL/LED

TYPICAL PHOTOMETRY SUMMARY



Descriptive Information

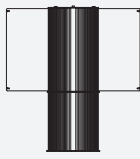
Report No.: LSCE675
 Luminaire: Spectrum Wall Sconce STR500
 Lamp: 8 Luxeon Rebel 4100K
 Total Lamp Lumens: 686 LMS
 Luminaire Watt: 14.88W
 Efficiency: 46 Lumens/Watt

STR500

— Vertical Plane
 — Horizontal Plane

Please visit our web site www.luminis.com for complete I.E.S. formatted download data.

LUMINAIRE SELECTION

MODEL#	LAMP SELECTION ¹	VOLTAGE	FINISH
 <input type="checkbox"/> STR500 <input type="checkbox"/> STR528 <input type="checkbox"/> STR528LP	COMPACT FLUORESCENT (Gx24q lamp base) STR500 <input type="checkbox"/> F118 1X18W <input type="checkbox"/> F126 1X26W <input type="checkbox"/> F132 1X32W <input type="checkbox"/> F142 1X42W <input type="checkbox"/> F157 1X57W LED STR528/STR528LP <input type="checkbox"/> L2W9 18W LED: PCB & optical lenses are included with luminaire. Color range 3500/4000°K	CFL <input type="checkbox"/> 120V ² <input type="checkbox"/> 277V <input type="checkbox"/> 347V LED <input type="checkbox"/> 120V <input type="checkbox"/> 277V	STANDARD COLORS <input type="checkbox"/> WHT Snow white <input type="checkbox"/> BKT Jet black <input type="checkbox"/> BZT Bronze <input type="checkbox"/> MST Matte silver <input type="checkbox"/> GRT Titanium gray <input type="checkbox"/> DGT Gun metal <input type="checkbox"/> CHT Champagne OPTIONAL COLORS <input type="checkbox"/> CS Custom color <input type="checkbox"/> RAL RAL# color (Refer to color chart)

OPTIONS

ELECTRICAL	
<input type="checkbox"/> DM1	1X26/32/42W 120V or 277V Mark X dimming ballast
<input type="checkbox"/> DM3	2X32/42W 120V or 277V Mark X dimming ballast
<input type="checkbox"/> DM6	1X18W Mark X dimming ballast
DIMMING FOR C.F.L. LUMINAIRE	
120V	277V
<input type="checkbox"/> DM1-120	<input type="checkbox"/> DM1-277 (1X26/32/42W)
<input type="checkbox"/> DM3-120	<input type="checkbox"/> DM3-277 (1X57W)
<input type="checkbox"/> DM6-120	<input type="checkbox"/> DM6-277 (1X18W)
Dimming ballast Mark X. 50/60Hz. 120V or 277V with EOL protection. Dimming 5-100% Min. start temp. 10°C (50°F). Burn lamps 100Hrs at full output before dimming.	

NOTES
 1- Unless otherwise noted, lamps are by others.
 2- Luminaires are factory prewired for 120V (if no voltage is specified.)

For complete photometric data, please visit our website at www.luminis.com



LUMINIS | Toll free: 866.586.4647 Fax: 514.683.8872
 260 Labrosse, Pointe-Claire (QC) Canada H9R 5L5

Luminaires may be altered for design improvement or discontinued without prior notice.
 Unless specified, lamps are not included with luminaires.