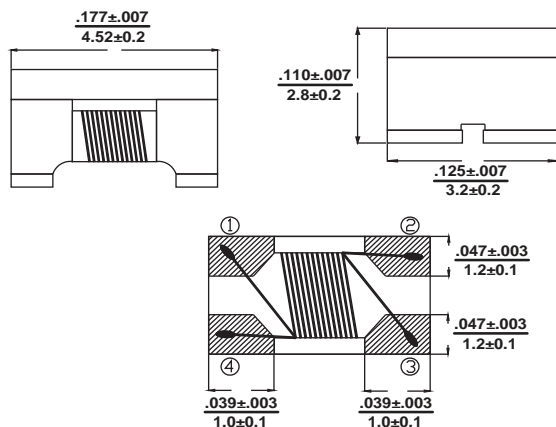


SCM30F SMD Wirewound Common Mode Filter



Dimensions: $\frac{\text{Inches}}{\text{(mm)}}$



Features

- Minature SMD common mode filter
- Excellent noise attenuation in a small package
- Suitable for automated assembly
- SCM series offers wide impedance range
- Excellent solderability

Electrical

Impedance range: 51Ω to 100Ω

Tolerance: 20% over entire range

Test Frequency: 100Mhz

Withstand Voltage: 125Vdc Max

Operating Temp: -40°C ~ +125°C

IDC: Inductance drop 10% Typ.
from original value with no current

DCR: Single Wire Test Value

Resistance to Solder Heat

Pre-Heat 150°C, 1 minute

Solder Composition: Sn99.5%-Cu0.5%

Solder Temp: 245±5°C

Test Equipment

(Z): HP4291A+HP16197A

(DCR): HP4338B

Insulation Resistance: HP4339

Physical

Packaging: 500 pieces per 7 inch reel

Marking: None

Allied Part Number	Common Mode Inductance (μH)+50/-30% [100kHz]	DC Resistance (Ω)	Rated Current (mA)	Rated Voltage Vdc	IR (Ω) Min.
SCM30F-510-RC	51	1.0	200	50	10M
SCM30F-101-RC	100	2.0	100	50	10M

All specifications subject to change without notice.