

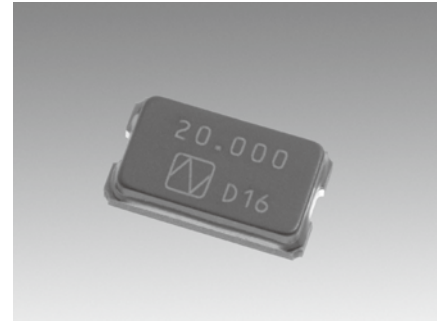
NX8045GB

For OA / AV

■ Features

A small surface-mount type crystal unit.

- Compact and thin. (8.0×4.5×1.8mm)
- Supports low frequencies(from 4MHz).
- Ideal for OA/AV applications and Accessories for a car.
- Excellent environmental performance, including heat and shock resistance.
- Meets the requirements for re-flow profiling using lead-free solder.



RoHS Compliant
Directive 2011/65/EU

■ Specifications

Item	Model	NX8045GB	
Nominal Frequency		4 to 40 MHz	
Overtone Order		Fundamental	
Frequency Tolerance (25 ±3 °C)		±30 × 10 ⁻⁶	±20 × 10 ⁻⁶
Frequency versus Temperature Characteristics (with reference to +25 °C)		±50 × 10 ⁻⁶	±30 × 10 ⁻⁶
Operating Temperature Range		-40 to +85 °C	-10 to +70 °C
Storage Temperature Range		-40 to +125 °C	-40 to +85 °C
Equivalent Series Resistance		Refer to *1	
Level of Drive		50 μW (Max. 500 μW)	
Load Capacitance		8 pF	

■ Specification Number

Please specify the model name, frequency, and specification number when you order products.
For further questions regarding specifications, please feel free to contact us.

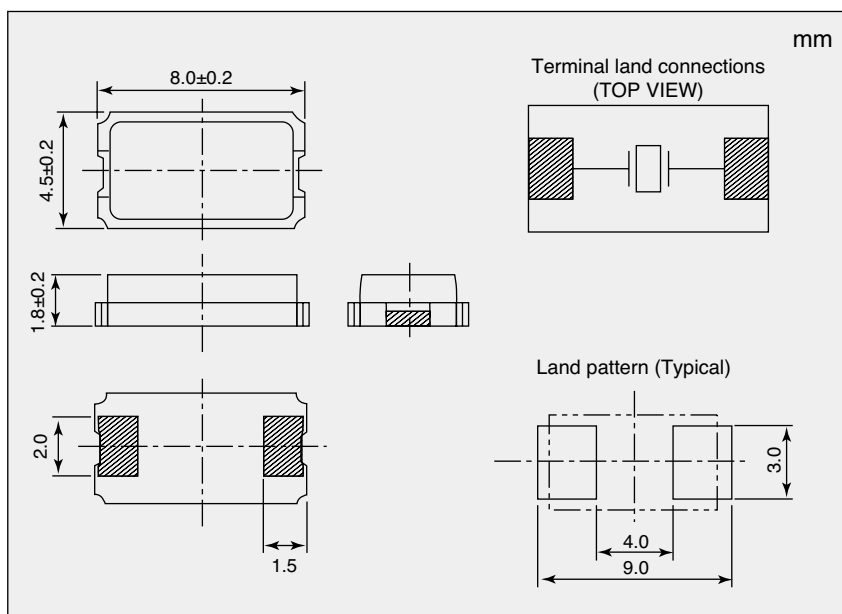
Operating Temperature Range : -40 to +85 °C

Nominal Frequency (MHz)	4 to 4.9	5 to 7.49	7.5 to 40
Specification Number	STD-CJL-5	STD-CSF-5	STD-CSF-6

Operating Temperature Range : -10 to +70 °C

Nominal Frequency (MHz)	4 to 4.9	5 to 7.49	7.5 to 40
Specification Number	STD-CJL-2	STD-CSF-3	STD-CSF-4

■ Dimensions



*1 Equivalent Series Resistance

Nominal frequency (MHz)	Equivalent Series Resistance max. [Ω]
4 to 5	300
5 to 8	250
8 to 9.5	200
9.5 to 10	120
10 to 12	100
12 to 13	80
13 to 40	50