



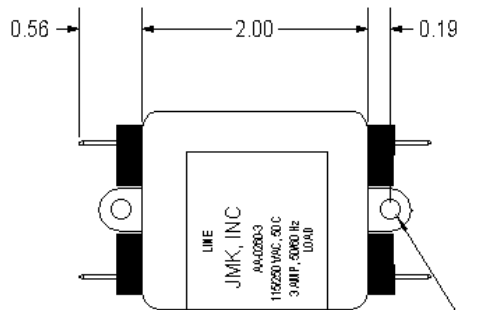
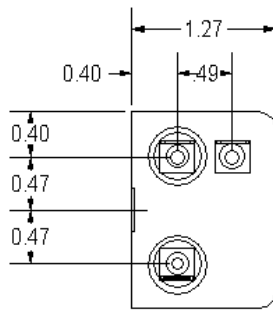
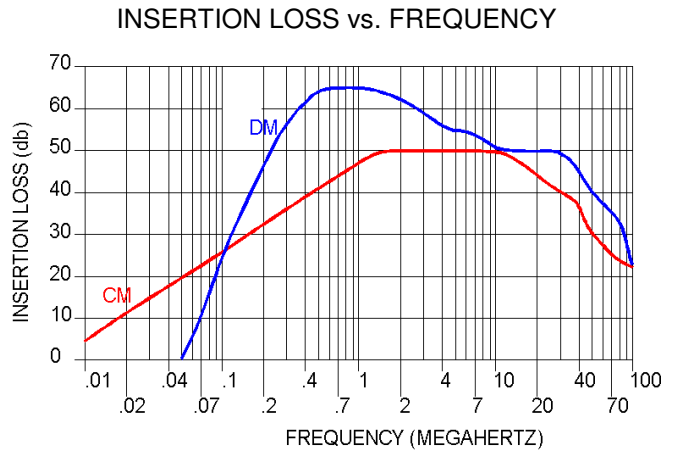
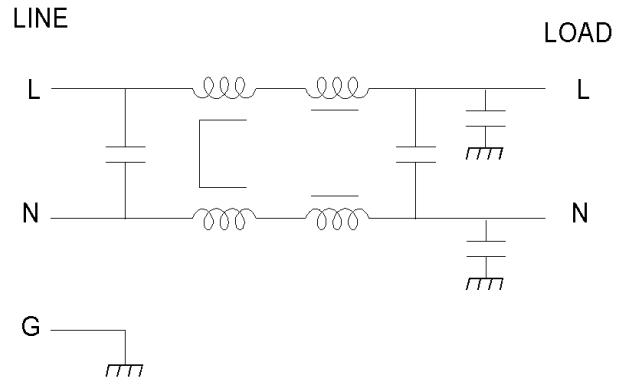
# AA-0260-3

Operating Voltage = \_\_\_\_\_ 125/250 Vac  
 Operating Current Max = \_\_\_\_\_ 3.0 Amp  
 Operating Frequency = \_\_\_\_\_ 50/400 Hz  
 Operating Temperature = \_\_\_\_\_ -20° to 50°C

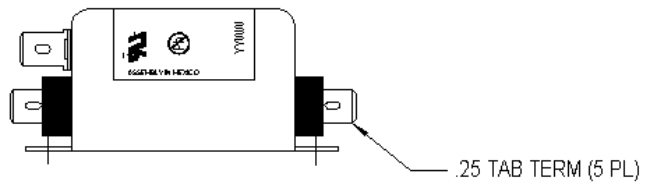
Diel. Withstand (Line to Case) = \_\_\_\_\_ 1500V; 1 Min  
 Diel. Withstand (Line to Line) = \_\_\_\_\_ 1500V; 1 Min

Leakage Current = \_\_\_\_ 0.5 mA (Max) @ 250 VAC, 60Hz  
 Residual Voltage after 1.0 sec = \_\_\_\_\_ 34 V Max  
 Voltage Drop = \_\_\_\_\_ 1.0 volt max at 3 Amp

Calculated MTBF = \_\_\_\_\_ 4,681,538 Hrs @ 30°C GB



.19 DIA HOLE (2 PL)



USA JMK Inc 15 Caldwell Dr. Amherst, NH 03031 PH: 603 886-4100 FX: 603 886-4115  
 email: info@jmkfilters.com  
 EUR JMK Inc Glasgow G13 1DN Scotland UK PH: 44-(0) 7785310729 Fax: 44-(0) 141 589 1884