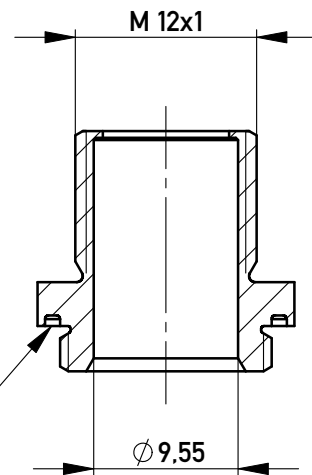
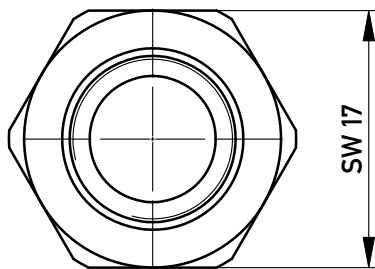


SCHNITT A-A



für O-Ring 14x1



<b>284377</b>	<b>galv. Ni</b>	mir Dichtringfläche, für 13mm Abstand /distance 13mm <sup>(d)</sup>
<b>Ident.-Nr.</b>	<b>Oberfläche</b>	<b>Bemerkung</b>

Information:	Tolerances	Scale <b>2:1</b>				
	<p>All Dimensions in mm</p>	<b>CuZn</b>				
<p>All rights reserved. Only for Information. To ensure that this is the latest version of this drawing, please contact one of the ERNI companies before using.</p>	<p>Subject to modification without prior notice. Drawing will not be updated.</p>	Designation				
		<p><b>M 12 Gehäuseteil</b> <i>für Messerleiste 13 mm Abstand</i></p>				
<table border="1"> <tr> <td>d</td> <td>27.08.2010</td> </tr> <tr> <td>Index</td> <td>Date</td> </tr> </table>	d	27.08.2010	Index	Date	<p><a href="http://www.ERNI.com">www.ERNI.com</a></p>	<p><b>284378</b></p>
d	27.08.2010					
Index	Date					
Class		MRDEZT				
		I A4				

Copyright by ERNI GmbH  
Proprietary notice pursuant to ISO 16016 to be observed.