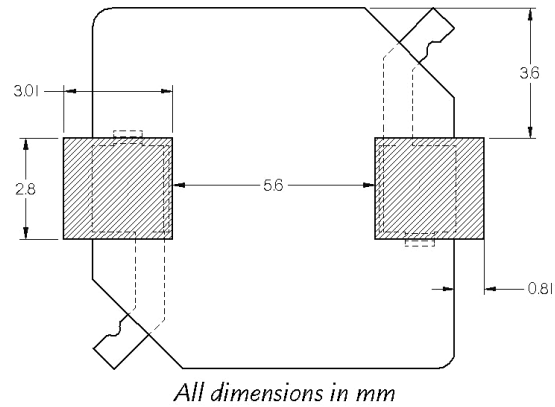
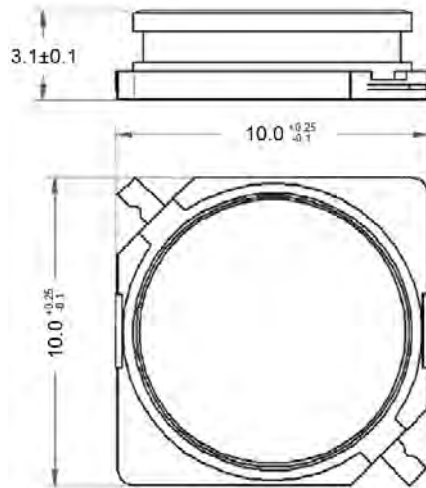
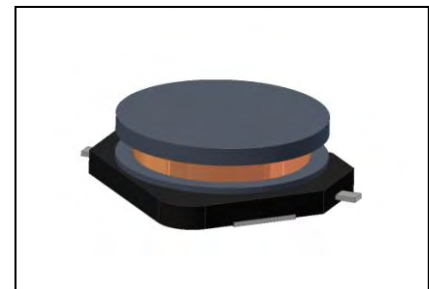
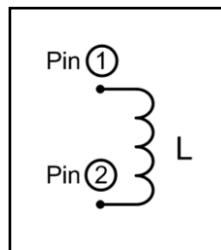


1. Dimensions and Recommended Pad Layout



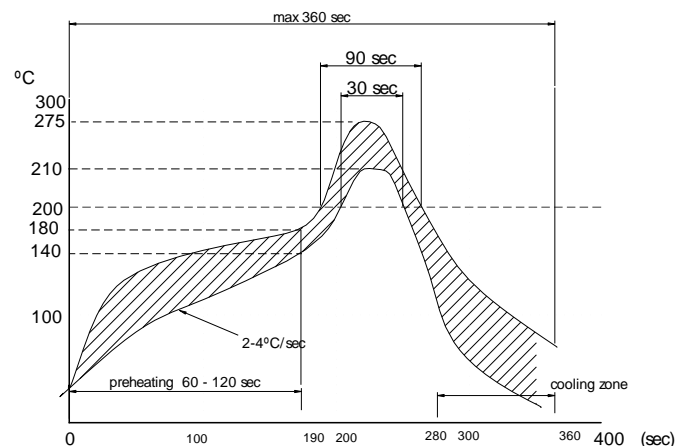
Recommended pad layout

2. Schematic Diagram



3. General Specifications. Recommended Reflow Profile

- Operating Frequency: 13.56 MHz
- Operating Temperature: -40 °C → +100 °C
- Storage temperature: -40 °C to +125 °C.
- Operating Voltage: < 50 V
- Operating Current: < 0.5A



Lead Free Reflow Profile

4. Electrical Characteristics

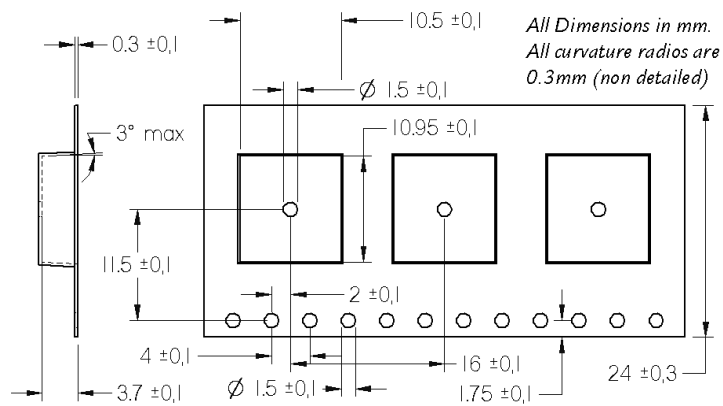
ZC1003HF (2.5μH)

Code	L @13,56 MHz (μH)	Q min. @13,56MHz	SRF min. (MHz)	DCR. (Ohm)
ZC1003HF-00025K	2.5 ± 10%	80	25	0.130 ± 10%

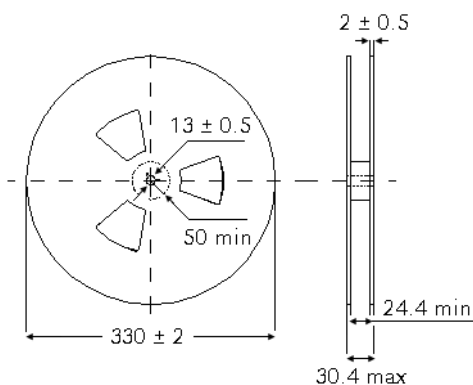
Inductance, Q factor, DCR and SRF measured with an LCR meter HP 4887A

5. Packaging Information

TAPING SPECIFICATION (According to EIA481)



REEL



PARTS PER REEL

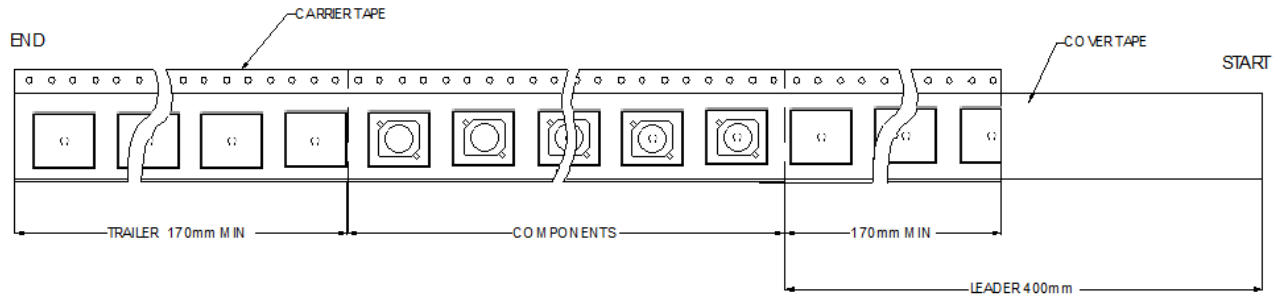
7"
600

MATERIAL LIST

ITEM	MATERIAL
Reel	Shock-Proof Polystyrol antistatic
Carrier tape	PC brown color antistatic 0.5 mm
Cover tape	Polyester with antistatic coating

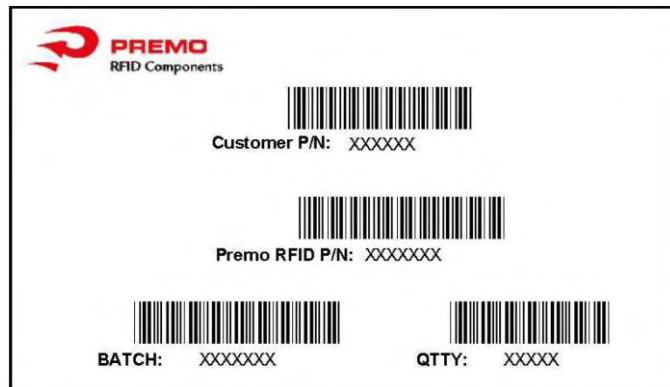
All dimensions in mm

TAPING



6. Labelling

Parts are not individually labelled



PACKAGE LABELLING

7. Reliability Tests

This part is according to AEC-Q200 Revision D.

Edition	Revision date
1	03/03/2014