

SPVQ8 Water-proof Type

Industry's smallest size, with main unit dimensions of 8.3×5.3×7mm



Detector

Slide

Push

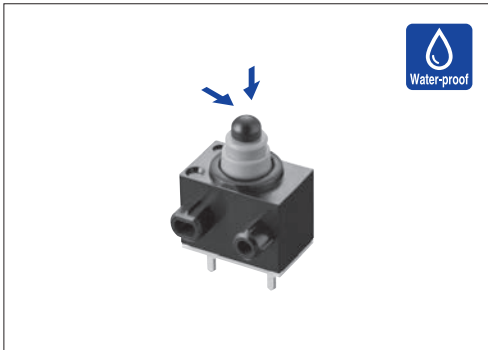
Rotary

Power

Dual-In-line Package Type

General-purpose Type

Water-proof Type



Typical Specifications

Items		Specifications
Rating (max.)/(min.) (Resistive load)		0.1A 12V DC / 50μA 5V DC
Contact resistance (Initial / After operating life)		500mΩ max. / 1Ω max. (Standard type) 500mΩ max. / 3Ω max. (Long-life type)
Operating force		1±0.5N
Operating life	Without load	300,000cycles (Standard type) 1,000,000cycles (Long-life type)
	With load	300,000cycles (Standard type) 1,000,000cycles (Long-life type)

Product Line

Poles	Positions	Circuit	Terminal type	Main body form	Minimum order unit (pcs)		Packing specifications type	Product No.		Drawing No.
					Japan	Export		Standard type	Long-life type	
1	1	N.O.	For PC board	Boss-both sides	1,755	7,020	A	SPVQ810100	SPVQ830100	1
			Angle	Boss-single side				SPVQ810300	SPVQ830300	2
			For PC board	Without boss				SPVQ810400	SPVQ830400	3
				Boss-single side				SPVQ810500	SPVQ830500	4
			For Lead	Boss-single side				SPVQ810600	SPVQ830600	5
				Boss-both sides				SPVQ810700	SPVQ830700	6
			Press fit	Boss-both sides				SPVQ810800	SPVQ830800	7
				Boss-single side				SPVQ811000	SPVQ831000	8
			N.C.	For PC board				Boss-both sides	—	1
				Angle				Boss-single side	—	9
				For PC board				Without boss	—	3
								Boss-single side	—	4
		For Lead		Boss-single side	—	10				
				Boss-both sides	—	11				
		Press fit	Boss-single side	—	12					
		N.O.	With wire (Downwards)	Boss-single side	—	13				
			With wire (Downwards)	Boss-both sides	—	14				
			With wire (Left side)	Boss-single side	—	15				
			With wire (from side)	Boss-both sides	—	16				
			N.C.	With wire (Downwards)	Boss-single side	—	17			
				With wire (Downwards)	Boss-both sides	—	14			
		With wire (Left side)		Boss-single side	—	18				
		With wire (from side)		Boss-both sides	—	16				

Notes

- ※ Products with a wire will be supplied as follows.
 - Unless specified, the length of the lead wire is 250mm. Color is either red, black or yellow. Please consult us for length modification.
 - Please specify circuits (N.O. or N.C.) for wired (side) types. Unless specified, the circuit will apply N.O.
 - Product with wire will be build-to-order.
- This unit cannot be used in water (IP67 rating, except for terminal).

Packing Specifications

Tray

Packing specifications type	Number of packages (pcs.)		Export package measurements (mm)
	1 case /Japan	1 case /export packing	
A	1,755	7,020	540×360×270

Bulk

Packing specifications type	Number of packages (pcs.)		Export package measurements (mm)
	1 case /Japan	1 case /export packing	
B	400	1,600	555×375×223

Refer to P.71 for soldering conditions.

■ Dimensions

Unit:mm

No.	Style	No.	Style
1		01	
2		02	
3		7	
4		00	

Detector
Slide
Push
Rotary
Power
Dual-In-line Package Type
General-purpose Type
Water-proof Type

SPVQ8 Water-proof Type

Dimensions

Unit:mm

No.	Style	No.	Style
9		12	
10		13	
11		14	

Detector

Slide

Push

Rotary

Power

Dual-In-line
Package Type

General-
purpose Type

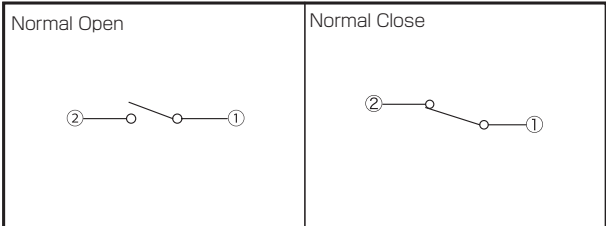
Water-proof
Type

■ Dimensions

Unit:mm

No.	Style	No.	Style
15		17	
16		18	

■ Circuit Diagram



Detector
Slide
Push
Rotary
Power
Dual-In-line Package Type
General-purpose Type
Water-proof Type

SPVQ8 Water-proof Type

Detector

Slide

Push

Rotary

Power

Dual-in-line
Package Type

General-
purpose Type

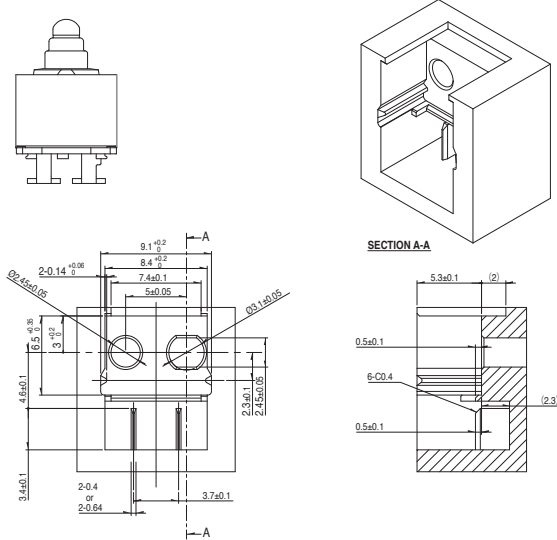
Water-proof
Type

Recommended Unit Terminal Shape for Press-Fit Terminals (Normally Open)

Style

SPVQ811000, SPVQ831000

Unit:mm

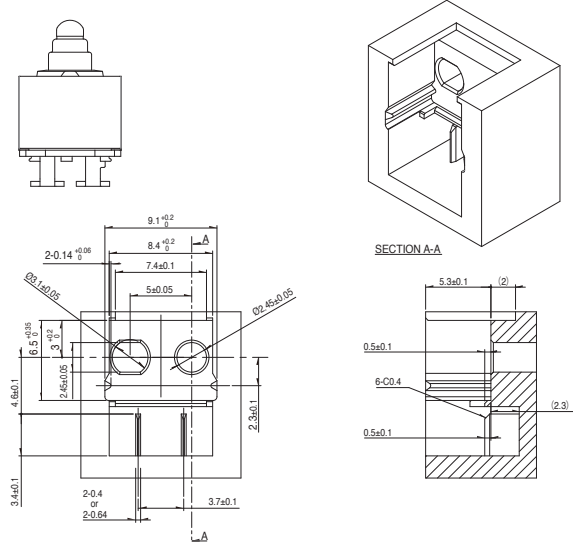


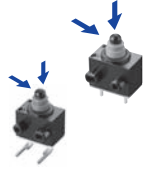



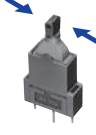





Recommended Unit Terminal Shape for Press-Fit Terminals (Normally Closed)

Style

SPVQ821000

Unit:mm



Series		Water-proof Type				
		SPVQ8	SPVQ9	SPVQA	SPVQC	SSCN
Photo						
Operation type		Two-way				
Dimensions (mm)	W	8.3	15.4	15.2	15.4	13
	D	5.3	8.4	6.4	7.4	5
	H	6.5	7.5	7.95	7.5	15
Operating temperature range		-40°C to +85°C				
Automotive use		●	●	●	●	●
Life cycle (availability)						
Poles / Positions		1/1	2/2	1/1 1/2	2/2	1/2
Rating (max.) (Resistive load)		0.1A 12V DC	50mA 26V DC	0.1A 12V DC	50mA 18V DC	0.1A 12V DC
Rating (min.) (Resistive load)		50μA 5V DC				100μA 5V DC
Durability	Operating life without load	300,000cycles 1Ω max. or 1,000,000cycles 3Ω max.	300,000cycles 200mΩ max.	300,000cycles 1Ω max.	300,000cycles 200mΩ max.	100,000cycles 1Ω max.
	Operating life with load Rating (max.) (Resistive load)	300,000cycles 1Ω max. or 1,000,000cycles 3Ω max.	300,000cycles 200mΩ max.	300,000cycles 1Ω max.	300,000cycles 200mΩ max.	100,000cycles 1Ω max.
Electrical performance	Initial contact resistance	500mΩ max.	75mΩ max.	500mΩ max.	75mΩ max.	500mΩ max.
	Insulation resistance	100MΩ min. 500V DC			100MΩ min. 250V DC	100MΩ min. 500V DC
	Voltage proof	500V AC for 1minute			250V AC for 1minute	500V AC for 1minute
Mechanical performance	Terminal strength	3N for 1minute (with terminal) Wire strength 30N for 1minute (with wire)	3N for 1minute			
	Actuator strength	20N				10N
Environmental performance	Cold	-40°C 500h				
	Dry heat	85°C 500h				
	Damp heat	60°C, 90 to 95% RH 500h				
Operation force		1±0.5N				2N max.
Page		60	65	66	69	70

Detector Switches Soldering Conditions	71
Detector Switches Cautions	72

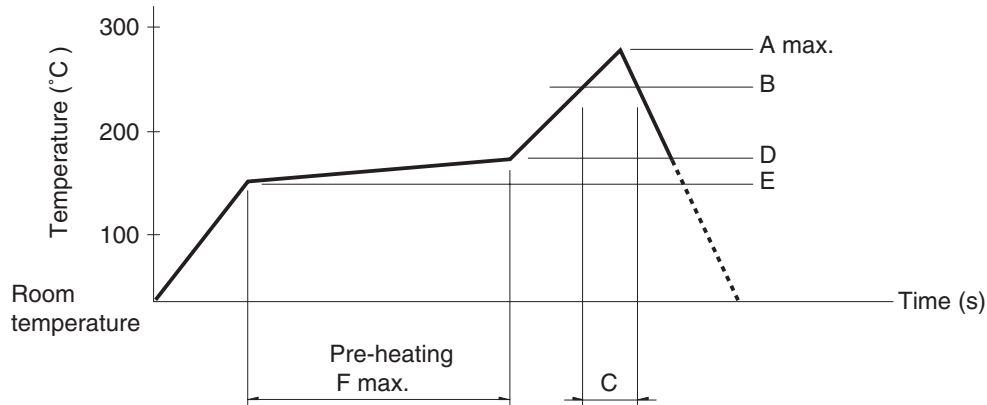
Note

- Indicates applicability to all products in the series.

Detector Switches Soldering Conditions

Example of Reflow Soldering Condition

1. Heating method: Double heating method with infrared heater.
2. Temperature measurement: Thermocouple $\phi 0.1$ to 0.2 CA (K) or CC (T) at soldering portion (copper foil surface).
A heat resisting tape should be used for fixed measurement.
3. Temperature profile



Series (Reflow type)	A (°C) 3s max.	B (°C)	C (s)	D (°C)	E (°C)	F (s)
SPPB	250	230	40	180	150	120
SPPW8			35			
SPVE	260		40			
SPVL						
SPVM						
SPVN						
SPVR						
SPVS						
SPVT						
SSCM						
SSCQ						
SPVQC	250					

Notes

1. The condition mentioned above is the temperature on the mounting surface of a PC board. There are cases where the PC board's temperature greatly differs from that of the switch, surface depending on the PC board's material, size, thickness, etc.
The above-stated conditions shall also apply to switch surface temperatures.
2. Soldering conditions differ depending on reflow soldering machines.
Prior verification of soldering condition is highly recommended.

Reference for Hand Soldering

Series	Soldering temperature	Soldering time
SPVS, SPVN, SPVT, SPVM, SPVR, SPVE, SPPW8, SSCQ, SSCM, SPVL, SSCT, SPVQC	350±5°C	3s max.
SPVQ1, SPVQ3, SPVQ6, SPVQ7, SPVQ8, SPVQ9, SSCN, SPVQA	300±10°C	3 +1 / 0s
SPPB (Reflow)	300±5°C	5s max.
SSCF, SPPB (For Lead, Dip)	350±10°C	3 +1 / 0s

Reference for Dip Soldering

(For PC board terminal types)

Series	Items		Dip soldering	
	Preheating temperature	Preheating time	Soldering temperature	Duration of immersion
SSCT, SPVQ1, SPVQ3, SPVQ6, SPVQ7, SPVQ8, SPVQ9, SPVQA	100±10°C	60s max.	260±5°C	5±1s
SPPW8, SPPB	100 °C max.	60s max.	255±5°C	5±1s
SSCF	—		260±5°C	5±1s