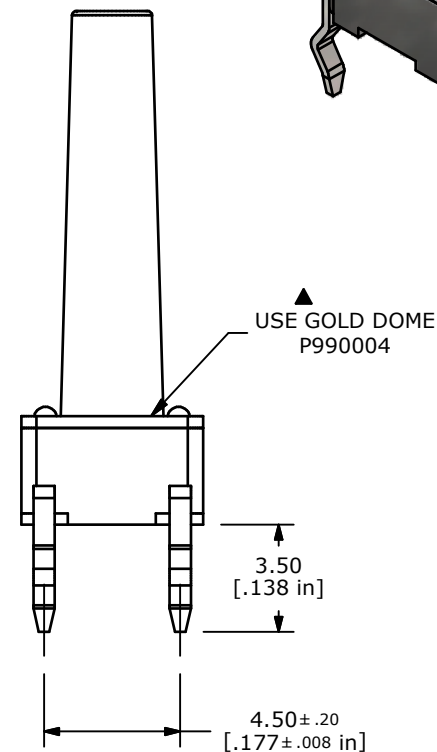
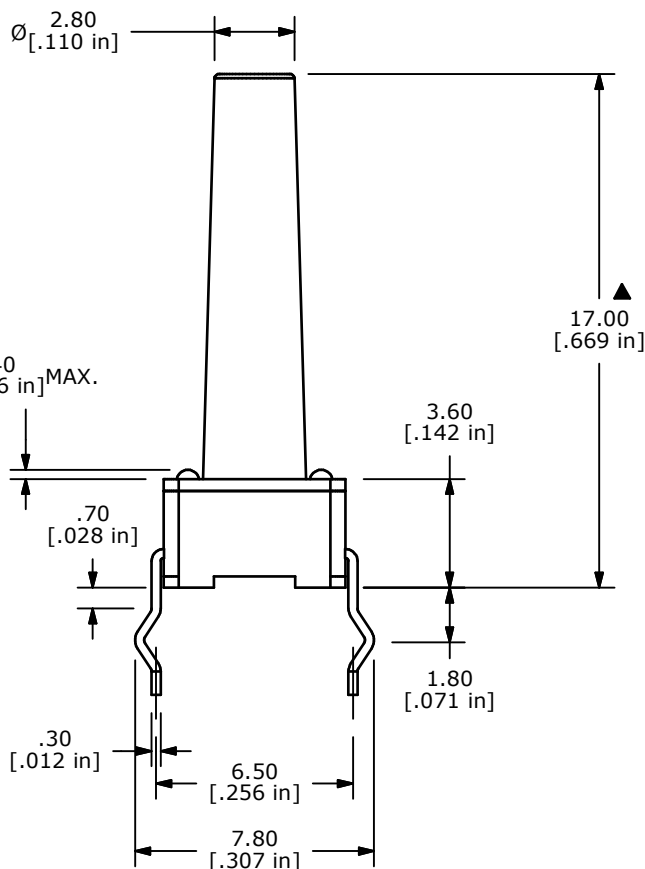
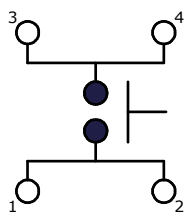
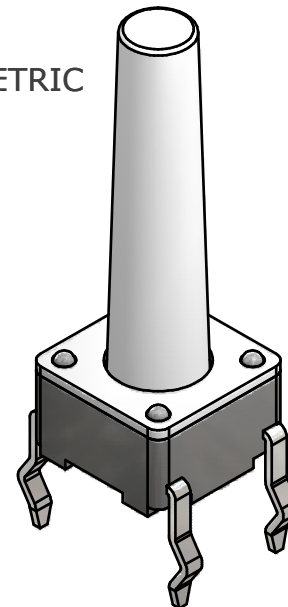


ISOMETRIC



NOTES:

1. ALL DIMENSIONS IN MM
2. GENERAL TOLERANCE: X.X=±0.4
X.XX=±0.25
3. TERM. NOS. FOR REFERENCE ONLY.
- ▲4. RATING: 50mA @ 12VDC (GOLD CONTACTS)
- ▲5. OPERATING FORCE: 250 ± 50 gf
6. TRAVEL: 0.25 +0.2 / -0.1 mm
7. CONTACT RESISTANCE: 100 Milli-OHMS max.
8. DIELECTRIC STRENGTH: 250V RMS min.
9. INSULATION RESISTANCE: 100 Mega-OHMS min.
10. LIFE EXPECTANCY: 1,000,000 CYCLES min.
11. CONTACT MATERIAL: GOLD DOME
12. OPERATING TEMP: -30°C TO 85°C
13. ▲ DENOTES CRITICAL PARAMETER
14. 2002/95/EC (ROHS) COMPLIANT



TITLE TL1105LF250R

A	18661	Released For Production	9/30/09	BLR
REV	PCR NO	DESCRIPTION	DATE	BY

THE INFORMATION CONTAINED IN THIS DOCUMENT IS PROPRIETARY TO E-SWITCH AND IS NOT TO BE COPIED OR TRANSFERRED

SCALE	DATE	DR	DWG	REV
4:1	9/30/2009	BLR	P010230	A