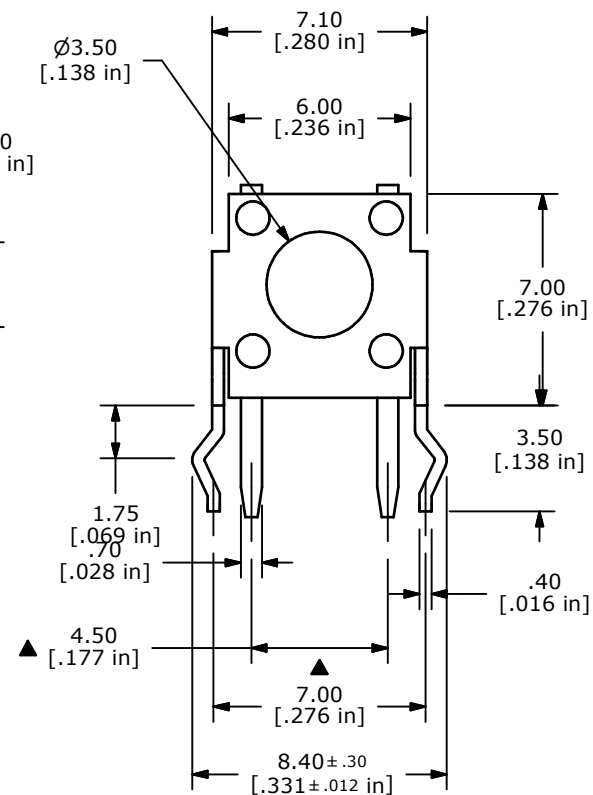
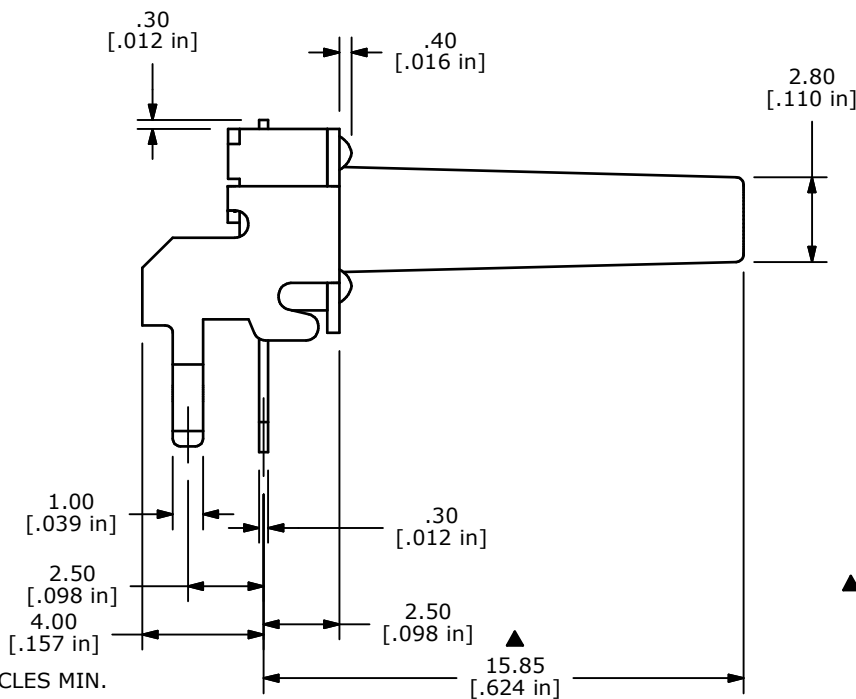
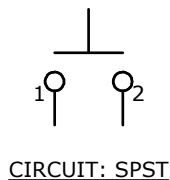
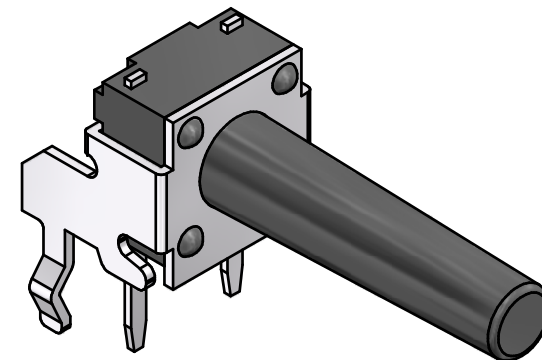
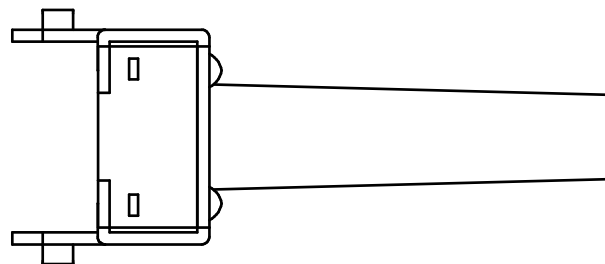


P.C.B. LAYOUT



- NOTES:
1. ALL DIMENSIONS IN MM
 2. GENERAL TOLERANCE: X.X=±0.4
X.XX=±0.25
 3. TERM. NOS. FOR REFERENCE ONLY.
 4. RATING: 50mA @12VDC
 - ▲ 5. OPERATING FORCE: 160± 50 gms
 6. TRAVEL: 0.3mm ±0.15
 7. CONTACT RESISTANCE: 100 mΩ MAX.
 8. MECHANICAL/ELECTRICAL LIFE 100,000 CYCLES MIN.
 - ▲ 9. SILVER CONTACTS
 10. ▲ DENOTES CRITICAL PARAMETER
 11. 2002/95/EC (ROHS) COMPLIANT



TITLE TL1105QF160Q				
SCALE	DATE 7/8/2014	DR EBP	DWG P010022	REV D

D	21504	REDRAW IN 3D, CHANGE BRACKET	7/8/14	EBP
REV	PCR NO	DESCRIPTION	DATE	BY
<small>THE INFORMATION CONTAINED IN THIS DOCUMENT IS PROPRIETARY TO E-SWITCH AND IS NOT TO BE COPIED OR TRANSFERRED</small>				