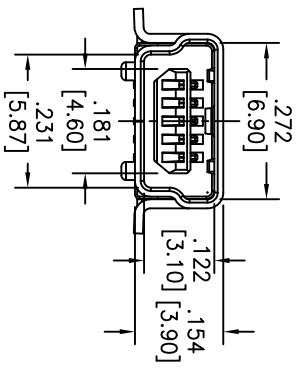
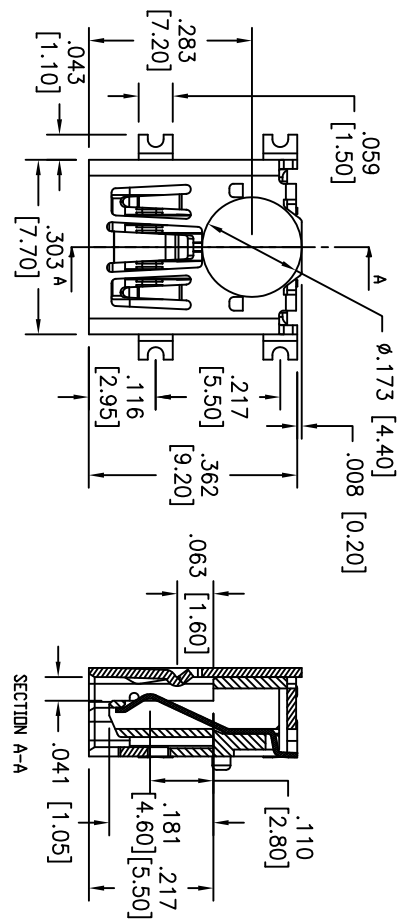
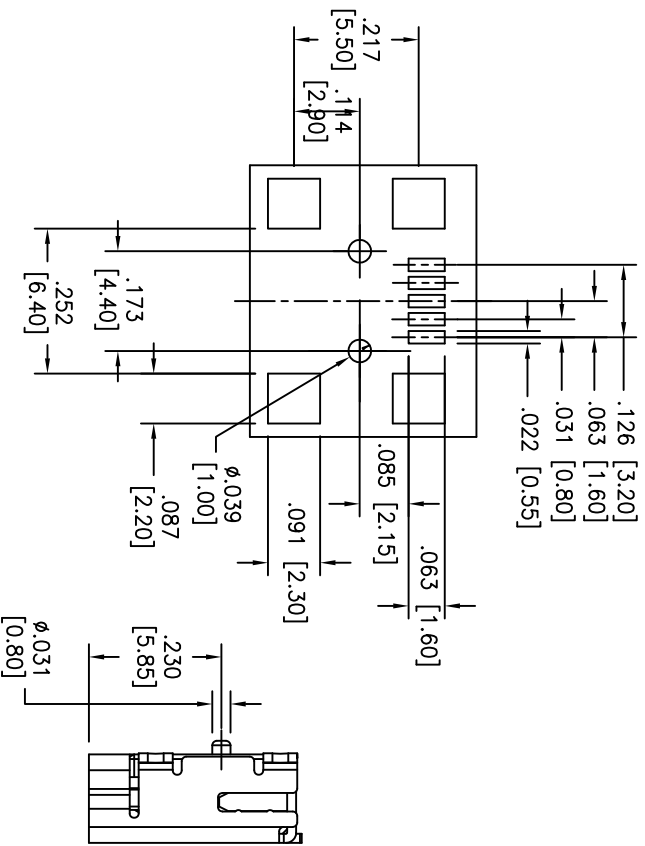
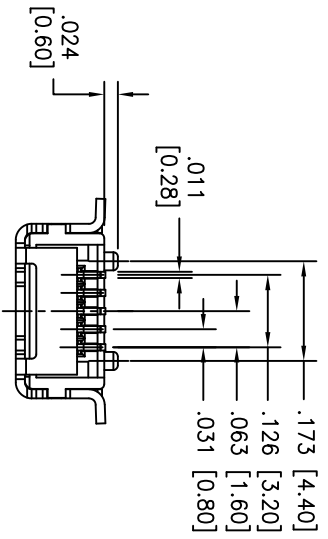


Rev	AWO #	Description	Date	Appr
-		RELEASED	9/14/10	

APPROVED: _____
 DATE: _____ TITLE: _____



RECOMMENDED PCB LAYOUT

SPECIFICATIONS:

- Material: Insulator: Hi-Temp Nylon PA6T, rated UL 94V-0
- Insulator color: Black
- Contacts: Phosphor Bronze
- Shell: Steel, Nickel plated
- Plating: Gold Flash over Nickel underplate on contact area, Tin over Copper underplate on SMT tails
- Environmental: Temperature Rating: Lead free, RoHS compliant.
- Recommended soldering temp: 260°C for 5 sec.

UNLESS OTHERWISE SPECIFIED
 ALL DIMENSIONS ARE INCHES [MM]
 TOLERANCES: EXCEPT AS NOTED

X	± .10	ØXX	± .015
.XX	± .020	ØXXX	± .015
.XXX	± .015	ØXXXX	± .010

APPROVALS

APPROVALS	DATE
DRAWN	DY
CHECKED	
APPROVED	

ADAM TECH
 909 Rahway Avenue, Union, NJ 07083
 Phone: 908-687-5000 Fax: 908-687-5710

TITLE: MINI USB, TYPE B, 5 pin, SINGLE PORT
 RIGHT ANGLE, SMT, HIGH CURRENT

SIZE: X PART NO.: MUSB-B5-S-RA-TSMT-HC REV: -

REF: S00009T SCALE: NTS SHEET 1 OF 1

Environmental: Temperature Rating: Lead free, RoHS compliant.
 Recommended soldering temp: 260°C for 5 sec.

