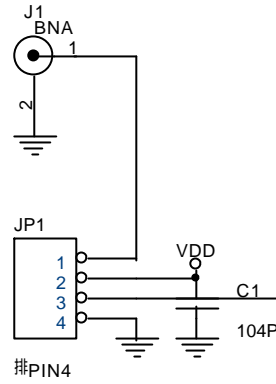
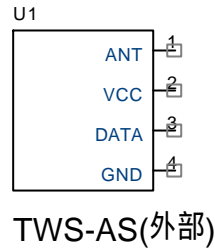
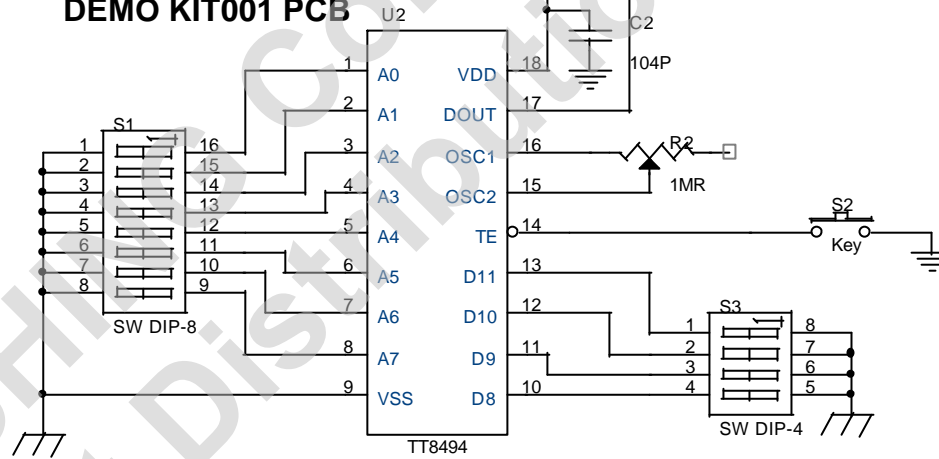
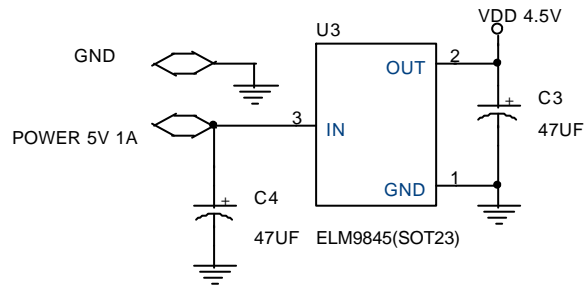


KIT1



DEMO KIT001 PCB



Title WENSHING ELECTRO

Size A Document Number KIT1

Rev <RevCode>

Date: Tuesday, April 23, 2002 Sheet 1 of 1