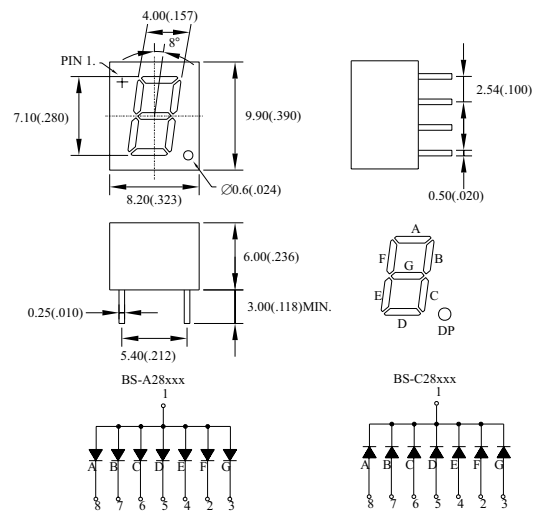
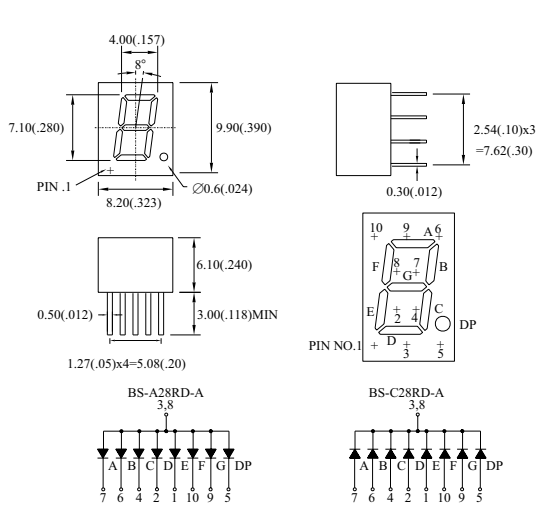
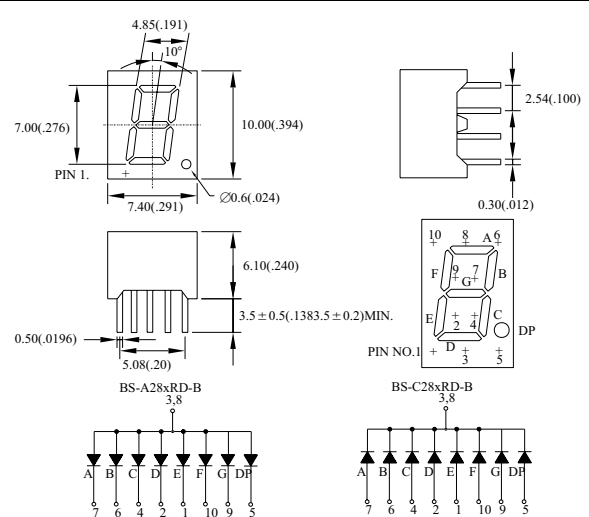
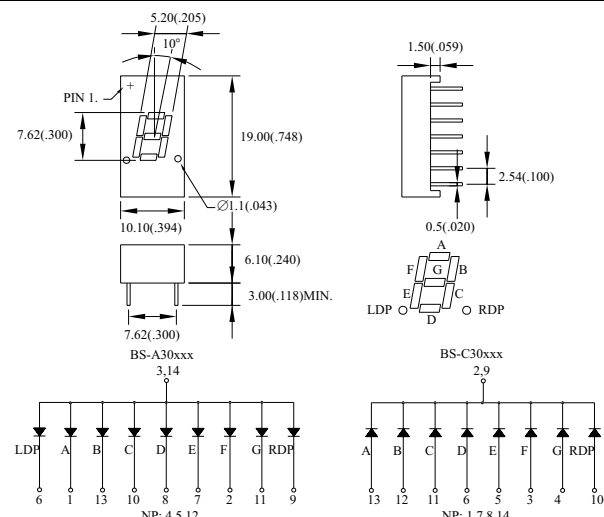
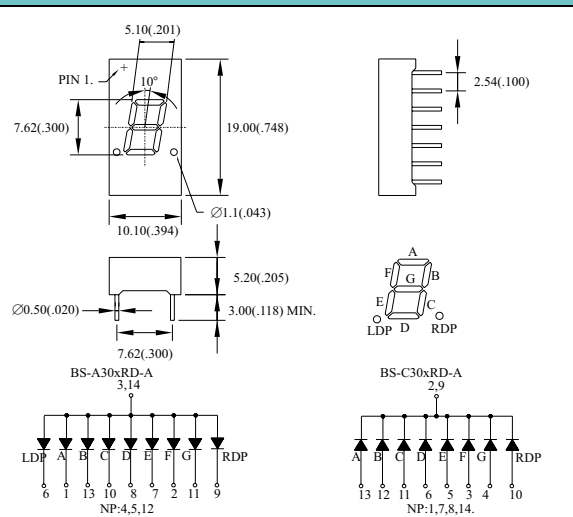
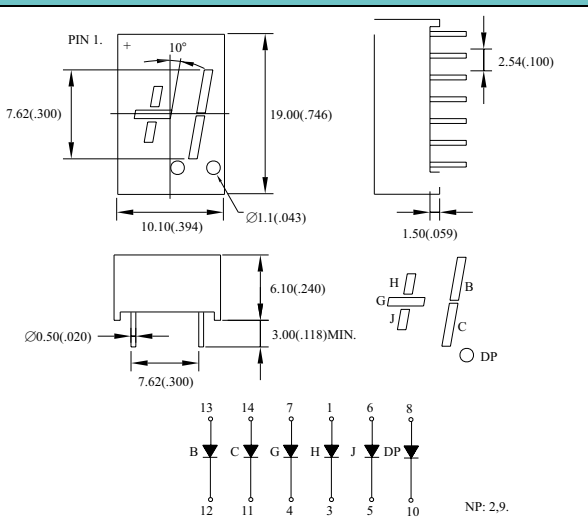




# SINGLE DIGIT LED DISPLAYS

Digit Size	Part No.		Chip		Absolute Maximum Ratings				Electro-optical Data(At 10mA)			Drawing No.			
	Common Anode	Common Cathode	Material/Emitted Color	Peak Wave Length $\lambda_p$ (nm)	$\Delta \lambda$ (nm)	Pd (mw)	If (mA)	Ifp (mA)	Vf (v)		Iv. Typ. Per.Seg. (mcd)				
									Typ.	Max.					
0.28" Single Digit	BS-A281ND	BS-C281ND	GaAsP/Red	655	40	80	40	200	1.7	2.0	0.6	SD-01			
	BS-A285ND	BS-C285ND	GaP/ Bright Red	700	90	40	15	50	2.2	2.5	1.2				
	BS-A285NE	BS-C285NE		GaP/ Green	568	30	80	30	150	2.2	2.5		2.8		
	BS-A282ND	BS-C282ND	GaAsP/GaP/ Yellow	585	35	80	30	150	2.1	2.5	2.2				
	BS-A284ND	BS-C284ND	GaAsP/GaP/ Hi-Eff.Red	635	45	80	30	150	2.0	2.5	2.8				
			GaAsP/GaP/ Orange												
	BS-A286ND	BS-C286ND	GaAlAs/ SH Super Red	660	20	80	30	150	1.7	2.5	5.0				
	BS-A28DND	BS-C28DND	GaAlAs/ DH Super Red	660	20	80	30	150	1.7	2.5	6.0				
	0.28" Single Digit	BS-A281RD-A	BS-C281RD-A	GaAsP/Red	655	40	80	40	200	1.7	2.0	0.6	SD-02		
		BS-A285RD-A	BS-C285RD-A	GaP/ Bright Red	700	90	40	15	50	2.2	2.5	1.2			
		BS-A285RE-A	BS-C285RE-A		GaP/ Green	568	30	80	30	150	2.2	2.5		2.8	
		BS-A282RD-A	BS-C282RD-A	GaAsP/GaP/ Yellow	585	35	80	30	150	2.1	2.5	2.2			
		BS-A284RD-A	BS-C284RD-A	GaAsP/GaP/ Hi-Eff.Red	635	45	80	30	150	2.0	2.5	2.8			
				GaAsP/GaP/ Orange											
		BS-A286RD-A	BS-C286RD-A	GaAlAs/ SH Super Red	660	20	80	30	150	1.7	2.5	5.0			
		BS-A28DRD-A	BS-C28DRD-A	GaAlAs/ DH Super Red	660	20	80	30	150	1.7	2.5	6.0			
		0.28" Single Digit	BS-A281RD-B	BS-C281RD-B	GaAsP/Red	655	40	80	40	200	1.7	2.0		0.6	SD-03
			BS-A285RD-B	BS-C285RD-B	GaP/ Bright Red	700	90	40	15	50	2.2	2.5		1.2	
			BS-A285RE-B	BS-C285RE-B		GaP/ Green	568	30	80	30	150	2.2		2.5	
			BS-A282RD-B	BS-C282RD-B	GaAsP/GaP/ Yellow	585	35	80	30	150	2.1	2.5		2.2	
	BS-A284RD-B		BS-C284RD-B	GaAsP/GaP/ Hi-Eff.Red	635	45	80	30	150	2.0	2.5	2.8			
				GaAsP/GaP/ Orange											
	BS-A286RD-B		BS-C286RD-B	GaAlAs/ SH Super Red	660	20	80	30	150	1.7	2.5	5.0			
	BS-A28DRD-B		BS-C28DRD-B	GaAlAs/ DH Super Red	660	20	80	30	150	1.7	2.5	6.0			
	0.3" Single-Digit	BS-A301RD	BS-C301RD	GaAsP/Red	655	40	80	40	200	1.7	2.0	0.6	SD-04		
		BS-A305RD	BS-C305RD	GaP/ Bright Red	700	90	40	15	50	2.2	2.5	1.2			
		BS-A305RE	BS-C305RE		GaP/ Green	568	30	80	30	150	2.2	2.5		3.0	
		BS-A302RD	BS-C302RD	GaAsP/GaP/ Yellow	585	35	80	30	150	2.1	2.5	2.0			
BS-A304RD		BS-C304RD	GaAsP/GaP/ Hi-Eff.Red	635	45	80	30	150	2.0	2.5	3.0				
			GaAsP/GaP/ Orange												
BS-A306RD		BS-C306RD	GaAlAs/ SH Super Red	660	20	80	30	150	1.7	2.5	6.0				
BS-A30DRD		BS-C30DRD	GaAlAs/ DH Super Red	660	20	80	30	150	1.7	2.5	7.0				
0.3" Single-Digit		BS-A301RD-A	BS-C301RD-A	GaAsP/Red	655	40	80	40	200	1.7	2.0	0.6		SD-05	
		BS-A305RD-A	BS-C305RD-A	GaP/ Bright Red	700	90	40	15	50	2.2	2.5	1.2			
		BS-A305RE-A	BS-C305RE-A		GaP/ Green	568	30	80	30	150	2.2	2.5			3.0
		BS-A302RD-A	BS-C302RD-A	GaAsP/GaP/ Yellow	585	35	80	30	150	2.1	2.5	2.0			
	BS-A304RD-A	BS-C304RD-A	GaAsP/GaP/ Hi-Eff.Red	635	45	80	30	150	2.0	2.5	3.0				
			GaAsP/GaP/ Orange												
	BS-A306RD-A	BS-C306RD-A	GaAlAs/ SH Super Red	660	20	80	30	150	1.7	2.5	6.0				
	BS-A30DRD-A	BS-C30DRD-A	GaAlAs/ DH Super Red	660	20	80	30	150	1.7	2.5	7.0				
0.3" Overflow Single-Digit	BF-U301RD		GaAsP/Red	655	40	80	40	200	1.7	2.0	0.6	SD-06			
	BF-U305RD		GaP/ Bright Red	700	90	40	15	50	2.2	2.5	1.2				
	BF-U305RE			GaP/ Green	568	30	80	30	150	2.2	2.5		3.0		
	BF-U302RD		GaAsP/GaP/ Yellow	585	35	80	30	150	2.1	2.5	2.0				
	BF-U304RD		GaAsP/GaP/ Hi-Eff.Red	635	45	80	30	150	2.0	2.5	3.0				
			GaAsP/GaP/ Orange												
	BF-U306RD		GaAlAs/ SH Super Red	660	20	80	30	150	1.7	2.5	6.0				
	BF-U30DRD		GaAlAs/ DH Super Red	660	20	80	30	150	1.7	2.5	7.0				

# SINGLE DIGIT LED DISPLAYS

SD-01      BS-A <sub>C</sub> 28xND	SD-02      BS-A <sub>C</sub> 28RD-A
	
SD-03      BS-A <sub>C</sub> 28xRD-B	SD-04      BS-A <sub>C</sub> 30xRD
	
SD-05      BS-A <sub>C</sub> 30xRD-A	SD-06      BF-U30xRD
	

NOTES: 1.All Dimensions are in millimeters(inches).  
 3.Specifications are subject to change without notice.

2.Tolerance is ±0.25mm(.010").  
 4.NP:No Pin.      5.NC:No Connect.