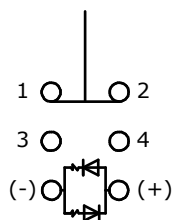


OPTIONAL PANEL CUTOUT  
MAX. PANEL THICKNESS 12mm

RECOMMENDED PANEL CUTOUT  
MAX. PANEL THICKNESS 12mm



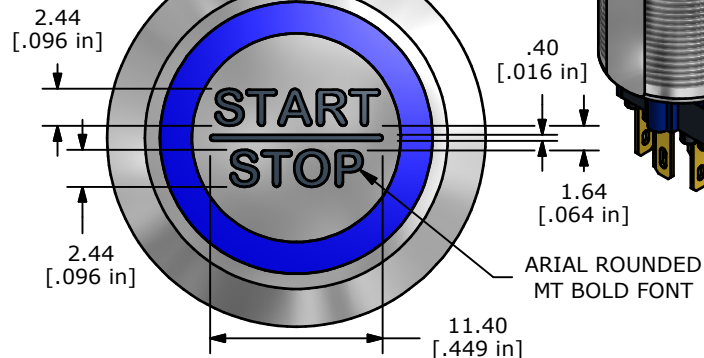
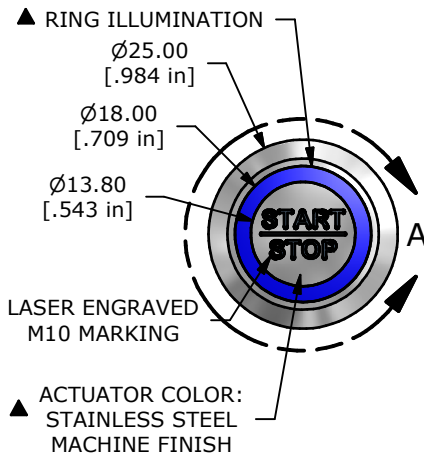
▲ DPST  
CONTACT CONFIGURATION

| SWITCH FUNCTION |           |
|-----------------|-----------|
| POS. 1          | POS. 2    |
|                 |           |
| 1-2 ON          | 1-2 (OFF) |
| 3-4 OFF         | 3-4 (ON)  |

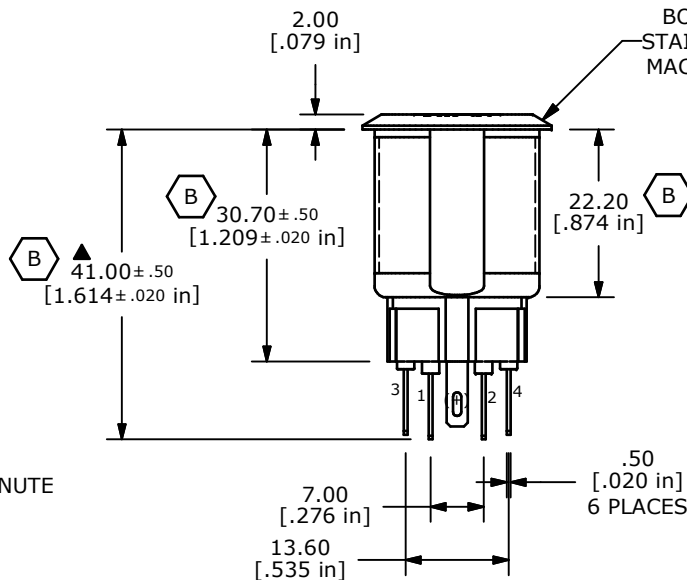
( ) = MOMENTARY

NOTE:

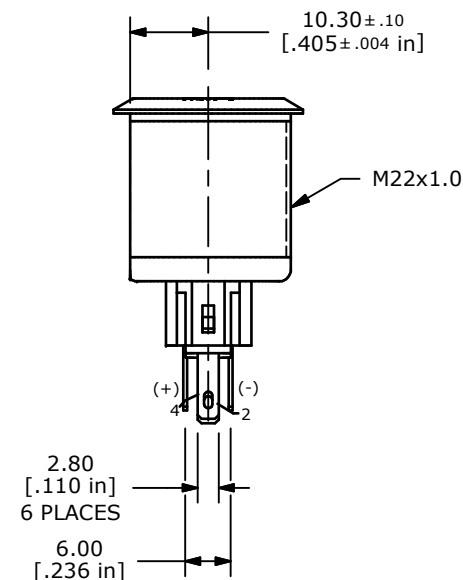
1. ALL DIMENSIONS IN MM [INCH]
2. GENERAL TOLERANCE: X.X = ± 0.4  
X.XX = ± 0.25
3. TERMINAL NOS. FOR REF. ONLY
- ▲ 4. FUNCTION: DPST
- ▲ 5. RATING: 2A @ 48VDC
6. ILLUMINATION VOLTAGE: 12V
7. CONTACT RESISTANCE: 50mΩ MAX. @ 1A 12VDC
8. INSULATION RESISTANCE: 1,000MΩ @ 500VDC
9. DIELECTRIC STRENGTH: 2,000VAC MIN. FOR 1 MINUTE
10. ELECTRICAL LIFE: 50,000 CYCLES
11. OPERATING TEMPERATURE: -20°C TO 55°C
12. INGRESS PROTECTION: IP65
13. ▲ DENOTES CRITICAL PARAMETER
13. 2002/95/EC (ROHS) COMPLIANT
- ▲ 14. ILLUMINATION COLOR: BLUE (FORWARD), BLUE (REVERSE)
15. HARDWARE INCLUDED (NOT SHOWN) HEX NUT AND O-RING



DETAIL A  
SCALE 2 : 1



BODY COLOR: ▲  
STAINLESS STEEL  
MACHINE FINISH



| REV | PCR NO | DESCRIPTION            | DATE    | BY  |
|-----|--------|------------------------|---------|-----|
| B   | 21426  | BODY WAS 5MM SHORTER   | 4/4/14  | EBP |
| A   | 21357  | RELEASE FOR PRODUCTION | 1/17/14 | EBP |

THE INFORMATION CONTAINED IN THIS DOCUMENT IS PROPRIETARY TO E-SWITCH AND IS NOT TO BE COPIED OR TRANSFERRED

|                         |           |     |                    |     |
|-------------------------|-----------|-----|--------------------|-----|
|                         |           |     |                    |     |
| TITLE PV7F2Y0SS-344-M10 |           |     |                    |     |
| SCALE                   | DATE      | DR  | DWG                | REV |
|                         | 1/17/2014 | EBP | 52-PV7F2Y0SS344M10 | B   |