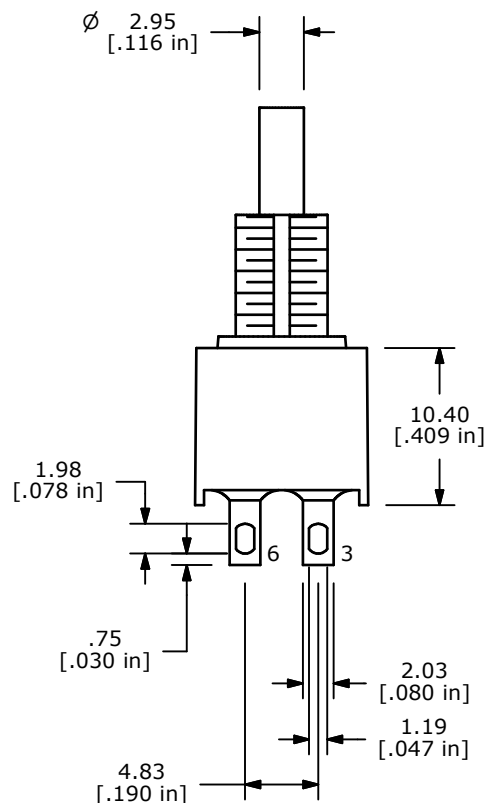
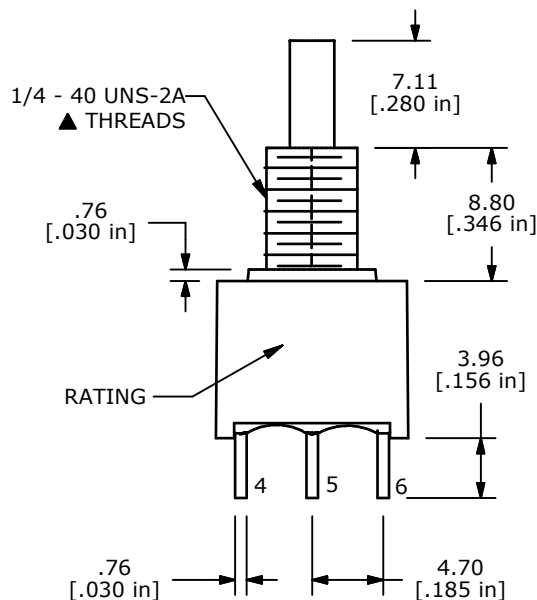
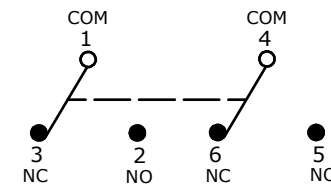


PANEL MOUNTING



▲ SWITCH FUNCTION	
POS. 1	POS. 2
ON	(ON)
1-3, 4-6	1-2, 4-5

(ON) = MOMENTARY



- NOTE:
1. ALL DIMENSIONS IN MM [INCH]
 2. GENERAL TOLERANCE: X.X=±0.4
X.XX=±0.25
 3. TERMINAL NUMBERS FOR REF ONLY
 - ▲ 4. PLATING MATERIAL: SILVER
 5. CONTACT RESISTANCE: 20 MILLI-OHMS MAX.
 6. RATING: 1A @250VAC, 3A @ 120VAC (or 28VDC)
 7. LIFE EXPECTANCY: 50,000 make-and-break cycles at full load.
 8. INSULATION RESISTANCE: 1,000 Mega-ohm min.
 9. DIELECTRIC STRENGTH: 1,500 V RMS @sea level.
 10. SEAL RATING: IP-67
 11. OPERATING TEMP.: -30°C to 85°C
 12. ▲ DENOTES CRITICAL PARAMETER.
 13. 2002/95/EC (ROHS) COMPLIANT.



B	21591	BUSHING BASE WAS OVAL, NOW ROUND	9/23/14	EBP
A	20609	INITIAL RELEASE	05/17/12	DRG
REV	PCR NO	DESCRIPTION	DATE	BY

TITLE 700ADP7B10M1QE				
SCALE	DATE	DR	DWG	REV
NONE	5/23/2012	drg	T750107	B

THE INFORMATION CONTAINED IN THIS DOCUMENT IS PROPRIETARY TO E-SWITCH AND IS NOT TO BE COPIED OR TRANSFERRED