

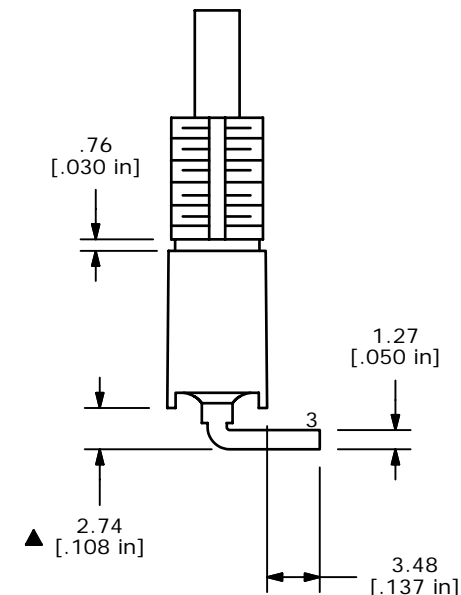
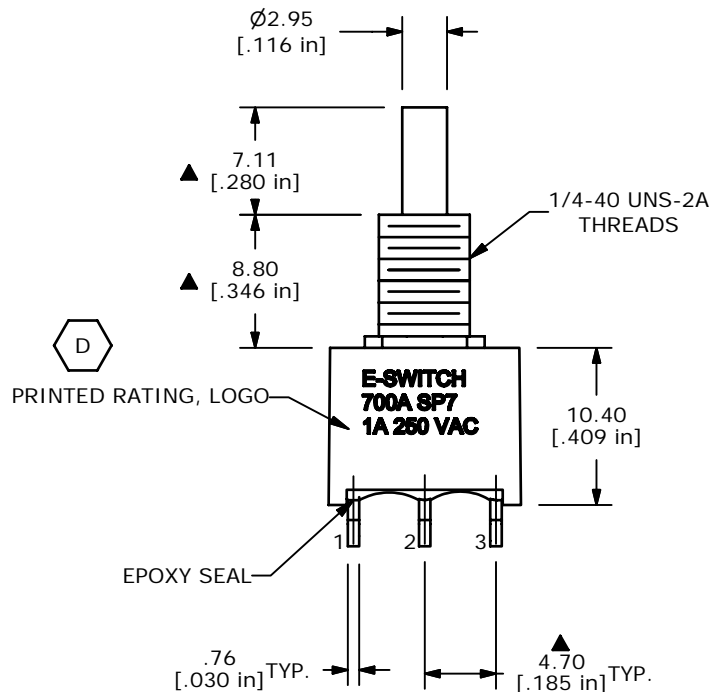
ISOMETRIC

SWITCH FUNCTION	
POS. 1	POS. 2
ON	(ON)
1-3	1-2

(ON) = MOMENTARY

NOTE:

1. ALL DIMENSIONS IN MM [INCH]
2. GENERAL TOLERANCE: X.X=±0.4
X.XX=±0.25
3. TERMINAL NUMBERS FOR REF ONLY
4. PLATING MATERIAL: SILVER
- ▲ 5. RATING: 3A @ 120VAC or 28VDC; 1A @ 250VAC
6. ELECTRIC LIFE: 50,000 MAKE-AND-BREAK CYCLES AT FULL LOAD.
7. INSULATION RESISTANCE: 1,000 MEGA-OHM MIN.
8. DIELECTRIC STRENGTH: 1,500 V RMS @SEA LEVEL.
9. OPERATING TEMP.: -30°C to 75°C
10. ▲ DENOTES CRITICAL PARAMETER.
11. 2002/95/EC (ROHS) COMPLIANT



D	17846	CORRECT PRINTED RATING	11/07/07	BLR
C	17840	DEFINE RATING LOCATION	11/02/07	BLR
B	17703	REMOVED MOUNTING BRACKET	9/20/07	BLR
A	17663	RELEASED FOR PRODUCTION	9/13/07	BLR
REV	PCR NO	DESCRIPTION	DATE	BY

THE INFORMATION CONTAINED IN THIS DOCUMENT IS PROPRIETARY TO E-SWITCH AND IS NOT TO BE COPIED OR TRANSFERRED



TITLE 700ASP7B10M6QE

SCALE 2:1

DATE 11/7/2007

DR BLR

DWG T750102

REV D