

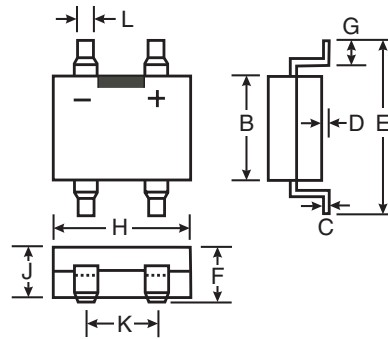
## 0.5A SURFACE MOUNT GLASS PASSIVATED FAST RECOVERY BRIDGE RECTIFIER

### Features

- Glass Passivated Die Construction
- Low Forward Voltage Drop
- Surge Overload Rating to 30A Peak
- Ideally Suited for Automatic Assembly
- Miniature Package Saves Space on PC Boards
- **Lead Free Finish, RoHS Compliant (Note 4)**

### Mechanical Data

- Case: MiniDIP
- Case Material: Molded Plastic. UL Flammability Classification Rating 94V-0
- Terminals: Finish — Bright Tin. Plated Leads, Solderable per MIL-STD-202, Method 208
- Polarity: As Marked on Case
- Marking: Type Number
- Weight: 0.125 grams (approx.)



MiniDIP		
Dim	Min	Max
B	3.6	4.0
C	0.15	0.35
D	—	0.20
E	—	7.0
F	—	3.00
G	0.70	1.10
H	4.5	4.9
J	2.3	2.7
K	2.3	2.7
L	0.50	0.80
All Dimensions in mm		

### Maximum Ratings and Electrical Characteristics @ T<sub>A</sub> = 25°C unless otherwise specified

Characteristic	Symbol	RH02	RH04	RH06	Unit
Peak Repetitive Reverse Voltage Working Peak Reverse Voltage DC Blocking Voltage	V <sub>RRM</sub> V <sub>RWM</sub> V <sub>DC</sub>	200	400	600	V
RMS Reverse Voltage	V <sub>RMS</sub>	140	280	420	V
Average Forward Rectified Current (Note 1) T <sub>A</sub> = @ 40°C	I <sub>O</sub>	0.5			A
Non-Repetitive Peak Forward Surge Current, 8.3 ms Single half-sine-wave Superimposed on Rated Load (JEDEC method)	I <sub>FSM</sub>	30			A
Instantaneous Voltage Drop @ 0.4A (per element)	V <sub>F</sub>	1.15			V
Peak Reverse Current at Rated DC Blocking Voltage (per element)	I <sub>R</sub>	5.0 100			μA
Maximum Reverse Recovery Time (Note 3)	t <sub>rr</sub>	150		250	ns
Typical Junction Capacitance (per element) (Note 2)	C <sub>j</sub>	13.0			pF
Typical Thermal Resistance, Junction to Ambient (Note 1)	R <sub>θJA</sub>	85			K/W
Operating and Storage Temperature Range	T <sub>j</sub> , T <sub>STG</sub>	-55 to +150			°C

- Notes:
1. Mounted on Glass Epoxy PC Board.
  2. Measured at 1.0 MHz and Applied Reverse Voltage of 4.0 V.
  3. t<sub>rr</sub> test conditions: I<sub>F</sub> = 0.5A, I<sub>R</sub> = 1.0A, I<sub>rr</sub> = 0.25A.
  4. RoHS revision 13.2.2003. Glass and High Temperature Solder Exemptions Applied, see *EU Directive Annex Notes 5 and 7*.

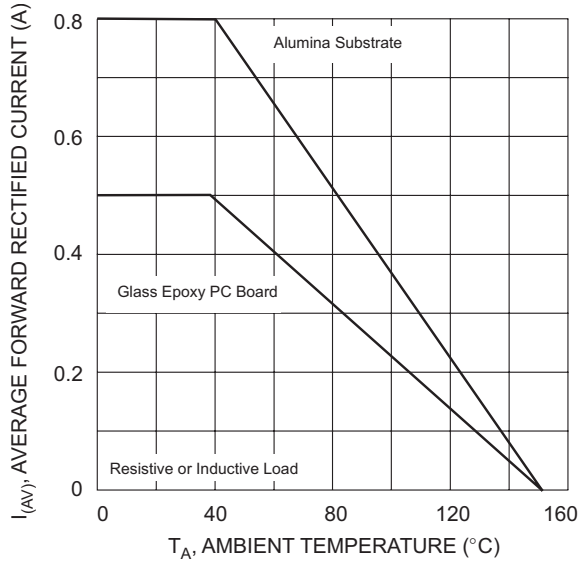


Fig. 1 Output Current Derating Curve

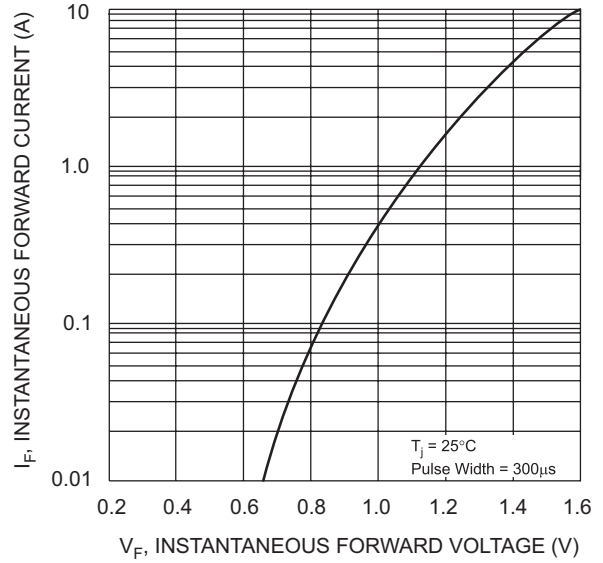


Fig. 2 Typical Forward Characteristics (per leg)

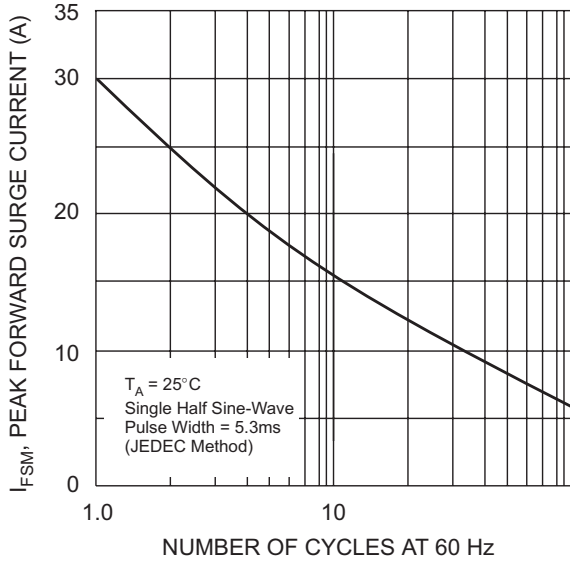


Fig. 3 Maximum Peak Forward Surge Current (per leg)

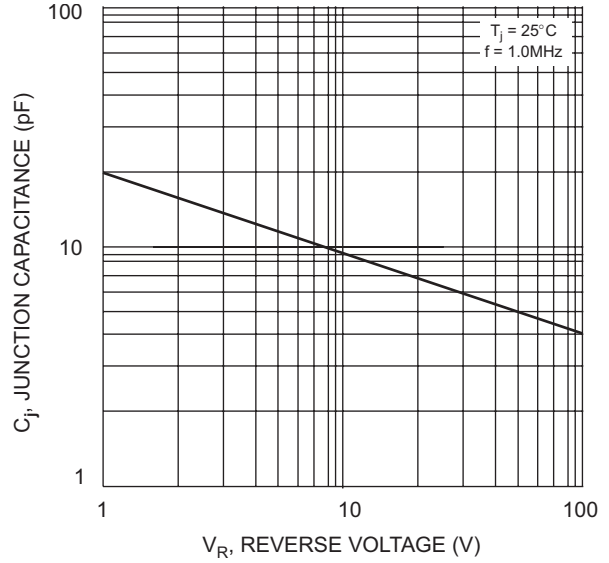


Fig. 4 Typical Junction Capacitance

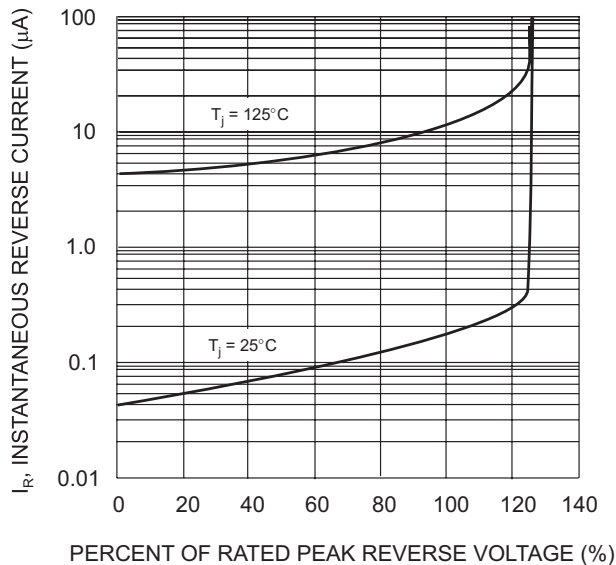


Fig. 5 Typical Reverse Characteristics (per element)

**Ordering Information** (Note 5)

<b>Device</b>	<b>Packaging</b>	<b>Shipping</b>
RH0x-T	MiniDIP	3000/Tape & Reel

Notes: 5. For Packaging Details, go to our website at <http://www.diodes.com/datasheets/ap02007.pdf>.