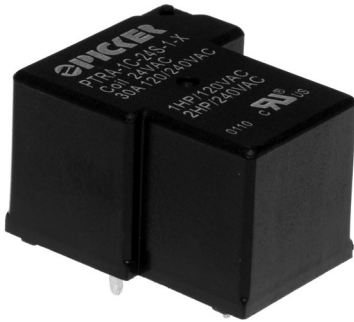


40 Amp Power Relay with AC Coils & Low Case Profile QC Terminals

PTRA



FEATURES

- Power PCB Relay with AC Coils
- 40 Amp 240 VAC Resistive UL Rating
- 2 HP 250 VAC Rating
- UL Class F Insulation Standard
- Meets UL 508 and UL 873 Spacing
- RoHS Compliant

Load Type	Voltage	1 Form A	1 Form B (SPDT-NC)	1 Form C	
				NO	NC
General Purpose	120 VAC*	40 A	30 A	40 A	30 A
	240 VAC	30 A	20 A	30 A	20 A
	277 VAC	30 A	20 A	30 A	20 A
	280 VAC	5 A	5 A	5 A	5 A
	30 VDC*	40 A	30 A	40 A	30 A
Resistive	240 VAC	40 A	30 A	40 A	30 A
	250K Cycles	240 VAC	20 A	---	20 A
	100K Cycles	277 VAC	25 A	---	25 A
	30 VDC	40 A*	30 A	40 A*	30 A
Motor	250 VAC	2 HP	1.5 HP	2 HP	1.5 HP
	120 VAC*	1 HP	---	1 HP	---
Ballast	280 VAC	5 A	5 A	5 A	5 A
Lamp Load TV-5	120 VAC	5 A	---	5 A	---
LRA/FLA*	240 VAC	80 A/30 A	---	80 A/30	---
	120 VAC	96 A/30 A	---	96 A/30	---

*Not UL

CONTACT DATA

Material	AgCdO, AgSnO ₂	
Initial Contact Resistance	30 mΩ Max. @ 1 A, 6 VDC	
Maximum Switching Voltage	110 VDC, 300 VAC	
Maximum Switching Current	40 A	
Maximum Switching Power	1,200 W, 10,000 VA	
Service Life	Mechanical	1 x 10 ⁷ Operations
	Electrical	1 x 10 ⁵ Operations

Meets UL 508 and UL 873 Spacing - 3.18 mm Through Air, 6.36 mm Over Surface.

ORDERING INFORMATION

Example: PTRA -1C -12 S T -X

Model: **PTRA (PTRA-OT)**

Contact Form: **1A, 1B, 1C**

Coil Voltage: **12, 24, 110, 120, 220**

Enclosure: **Nil**: Open Frame; **S**: Sealed Plastic Case

Contact Material: **Nil**: AgCdO; **T**: AgSnO₂

Insulation Material: **Nil**: Class F

RoHS Compliant: **-X**

Pinout: **A**: Alternate Quick Connect Pinout

Box Quantity: 600; Inner Box 300

COIL DATA

Coil Voltage (VDC)		Resistance (Ohms ± 10%)	Must Operate Voltage Max (VDC)	Must Release Voltage Min (VDC)	Rated Current (mA)	Coil Power (VA)
Rated	Max					
12	15.6	27	9.0	3.6	187	2.0
24	31.2	120	18.0	7.2	95	
110	143	2360	82.5	33.0	20	
120	156	3040	90.0	36.0	16.5	
220	286	13490	165.0	86.0	6.4	

NOTES:

The use of any coil voltage less than the rated voltage will compromise the operation of the relays.
 Must Operate Voltage is listed for test purposes only and is not to be used as design criteria.
 Pickup and release voltages are for test purposes only and are not to be used as design criteria.

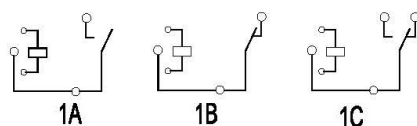
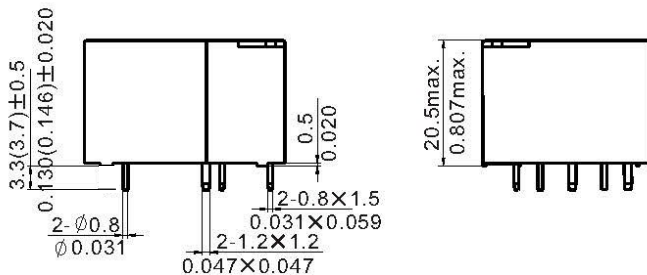
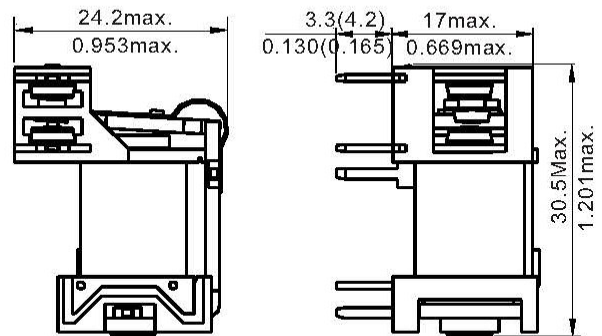
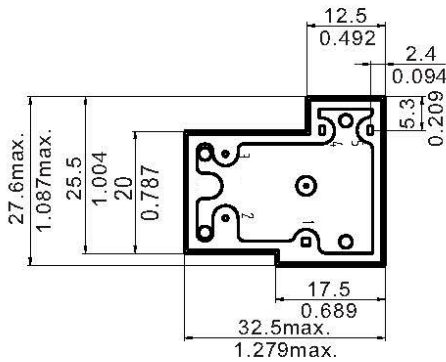
CHARACTERISTIC

Operate Time	15 ms max.
Release Time	10 ms max.
Insulation Resistance	1,000 MΩ min, at 500 V
Power Consumption	2.0 VA
Dielectric Strength	50 Hz 1,500 V Between Open Contacts
	50 Hz 2,500 V Between Contacts and Coil
Shock Resistance	200 m/s ²
Vibration Resistance	10 Hz - 55 Hz Double Amplitude 1.5 mm

Terminal Strength	10N
Solderability	235 °C for 3 secs
Operating Temp. Range	- 55°C to 100°C
Storage Temp. Range	- 55°C to 125°C
Relative Humidity	85% (at 40°C)
Weight	31 grams
Material Compliant To	EU RoHS V2, EU REACH V3

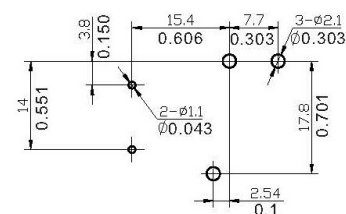
MOUNTING TYPE (mm/inches)

Knock off, on top corner, nib for ventilation after soldering and water wash.



Wiring diagram(Bottom view)

Open type



Mounting (Bottom view)



3220 Commander Drive, Suite 102 Carrollton, TX 75006
 Sales: (972) 713-6272 (888) 997-3933 Fax: (972)735-0964

www.PickerComponents.com
 e-mail: sales@pickercomponents.com