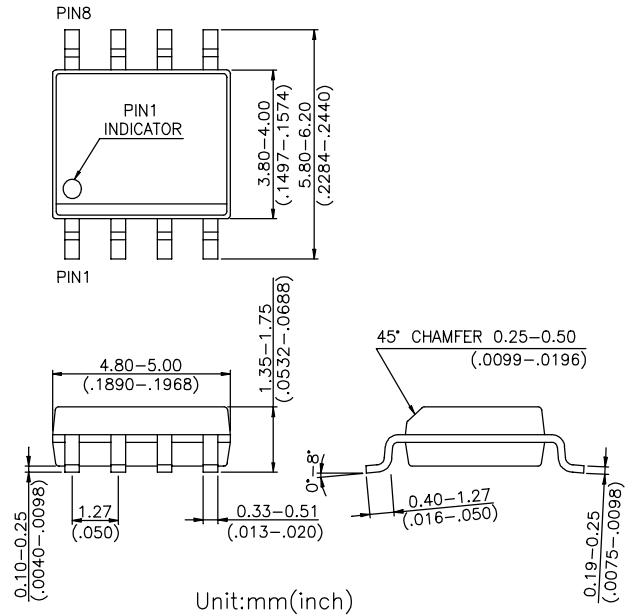


**Features**

- Non-Reflective Type
- High Isolation
- Low Power Consumption
- Low Cost Surface Mount SOP8 Package

**Description**

The HWS2352 is an integrated GaAs SPDT terminated switch. It is suitable for cellular phones, CT1, CT2, DECT, and Wireless LAN applications.

**SOP-8**

**Electrical Specifications at 25°C with 0 / -5V Control Voltages**

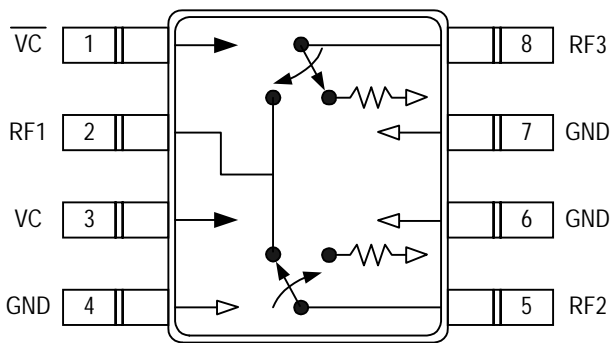
Parameter	Test Conditions	Min.	Typ.	Max.	Unit
Insertion Loss	DC-0.5GHz		0.5	0.6	dB
	DC-1.0GHz		0.6	0.7	dB
	DC-2.0GHz		0.7	0.9	dB
Isolation	DC-0.5GHz	50	52		dB
	DC-1.0GHz	38	40		dB
	DC-2.0GHz	23	26		dB
VSWR	DC – 1.0GHz		1.20:1	1.25:1	
	DC – 2.0GHz		1.30:1	1.40:1	
Input Power for One dB Compression	>100 MHz	28	30		dBm

Note: All measurements made in a 50Ω system with 0/-5V control voltages, unless otherwise specified.

### Absolute Maximum Ratings

Parameter	Absolute Maximum
RF Input Power >100MHz	35dBm
Control Voltage	-10V
Operating Temperature	-40°C to +85°C
Storage Temperature	-65°C to +150°C

### Pin Out



### Truth Table

VC	$\overline{VC}$	RF1-RF2	RF1-RF3
1	0	Isolation	Insertion Loss
0	1	Insertion Loss	Isolation

'0' = 0 to -0.2V

'1' = -5V to -8V