

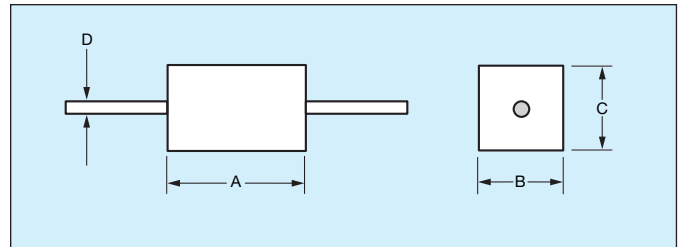
GENERAL DESCRIPTION

AVX HR Series

Axial Leaded Resistor

Case Material: Plastic Shell

Lead Material: 60Sn/40Pb Solder Plated



Dimensions: Millimeters (Inches)

		Tolerance
A	1.91 (0.075)	±.005
B	0.91 (0.036)	±.005
C	0.91 (0.036)	±.005
D	0.20 (0.008)	±.001

HOW TO ORDER

HR01

AVX Style
HR01

104

Resistance

First two digits are the significant figures of capacitance. Third digit indicates the additional number of zeros.

Example: 2R2 = 2.2Ω

100 = 10Ω

104 = 100,000Ω

106 = 10,000,000Ω

J

Tolerance

J = ±5%

K = ±10%

MARKING (EXAMPLE)

$47 \times 100^3 = 47000\Omega = 47k\Omega$

0 = 0Ω (Jumper)

100 = 10Ω

102 = 1kΩ

105 = 1MΩ

Three Digit Identification Code

Note: > 225 is K tolerance, ≤ 225 is J tolerance

Temperature Coefficient of Resistance

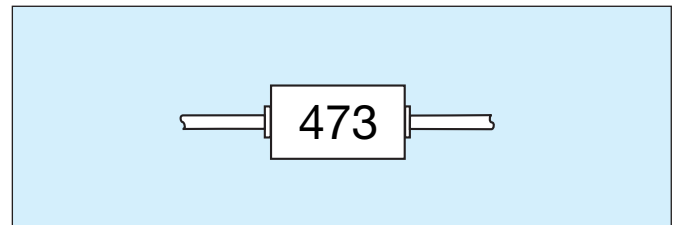
Tolerance	HR01				
	J (±5%)		K (±10%)		
Resistance Range	10Ω	1MΩ	2.2Ω	10Ω	1MΩ
	1MΩ	2.2MΩ	10Ω	1MΩ	10MΩ
TCR (ppm/°C)	±250	-500 +300	-100 +600	±250	-500 +300

Resistance Ranges

Tolerance	HR01	
	J (±5%)	K (±10%)
Value Range	10Ω to 2.2MΩ	2.2Ω to 10MΩ

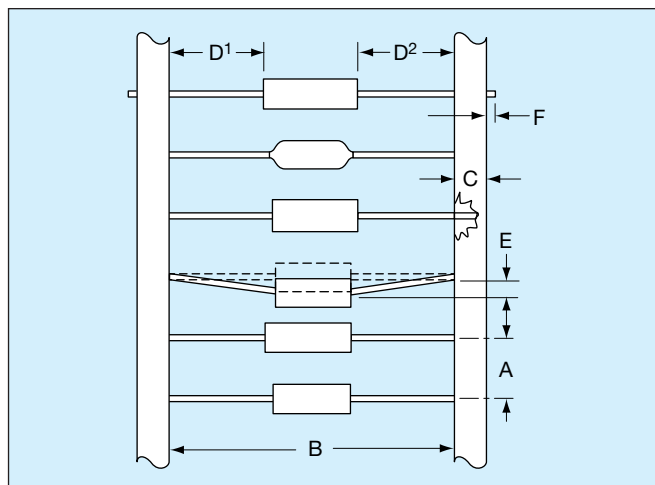
Resistance Ratings for HR01

Power	0.063 (1/16) w
Voltage	50V max.
Working	-55°C to +70°C no derating +70°C to +125°C with derating



TAPE AND REEL

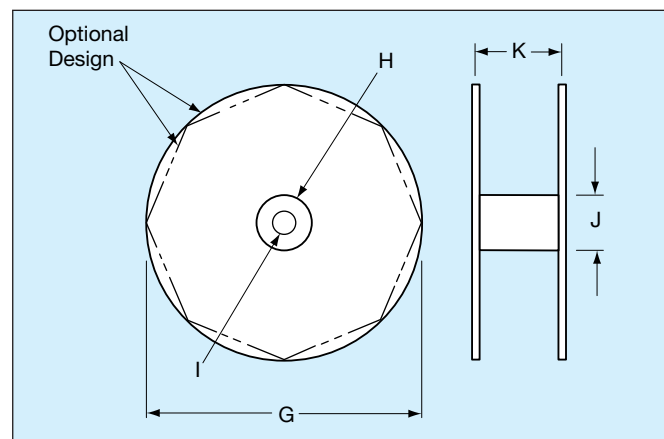
CLASS I / RS-296	
A.	5mm ± 0.5mm (.200" ± 0.020")
B*	52.4mm ± 1.5mm (2.063" ± 0.059")
C.	6.35mm ± 0.4mm (0.250" ± 0.016")
D ¹ -D ² .	1.4mm (0.055" MAX.)
E.	1.2mm (0.047" MAX.)
F.	1.6mm (0.063" MAX.)
G.	356mm (14.00")
H.	76mm (3.000")
I.	25.4mm (1.000")
J.	84mm (3.300")
K.	70mm (2.750")



Leader Tape: 300mm min. (12")

Splicing: Tape Only

Missing Parts: 0.25% of component count max.-
No consecutive missing parts



REEL QUANTITIES (MAX.) ‡

SA05	7,500 pcs.	MA10	5,000 pcs.
SA10	7,500 pcs.	MA20	5,000 pcs.
SA11	5,000 pcs.	MA30	3,000 pcs.
SA20	5,000 pcs.	MA40	3,000 pcs.
SA30	5,000 pcs.	MA50	950 pcs.
SA40	5,000 pcs.	MA60	650 pcs.

‡ 1000 pc. reels available for distribution pack only in ±1% and ±2% tolerance.

* Standard Tape Spacing Shown. Also available in 26.0mm + 1.5mm, - 0mm, (1.023 in. + .059 in. - 0 in.) for SpinGuards only. EIA Class I, II and III tape spacings are available for molded axials. Tape spacing for Class II is 63.5mm ± 1.5mm (2.50 in ± .059 in), and for Class III 73mm ± 1.5mm (2.87 in ± .059 in)

ADDITIONAL PACKAGING AVAILABLE

AMMO PACK

Tape Spacing	SA05, SA10 SA20	SA11 SA30	SA40	BOX SIZES (Nominal)		
				L	W	H
52.4mm ± 1.5mm (2.062" ± .059")	4,000 pcs.	2000	2,000 pcs.	255mm (10.039")	73mm (2.874")	93mm (3.661")
26.0mm + 1.5mm - 0mm (1.023" + .059" - 0")	4,000 pcs.*	2000	2,000 pcs.*	255mm (10.039")	48mm (1.889")	113mm (4.448")

*SpinGuard only

BULK PACK (MOLDED AXIALS ONLY)

MA10 MA20 MA30 MA40	100 pcs. (bag)
MA50 MA60	50 pcs. (bag)