

GOG9xx29

THREE PHASE AC-DC BRIDGE

Fuse protection
Temperature sensors
Snubber for SCR's protections
Extractible stacks for easy field service

LINE VOLTAGE UP TO 500V
DC OUTPUT CURRENT 2900 A

GOG94029 GOG95029

Line to line voltage	400 V	500 V	
----------------------	--------------	--------------	--

Characteristic		Conditions	Value	Value	
I _{DC}	DC output current		2900 A	2900 A	
V _{INS} (rms)	Insulation voltage		3000 V	3000 V	

THYRISTOR TRIGGERING CHARACTERISTICS

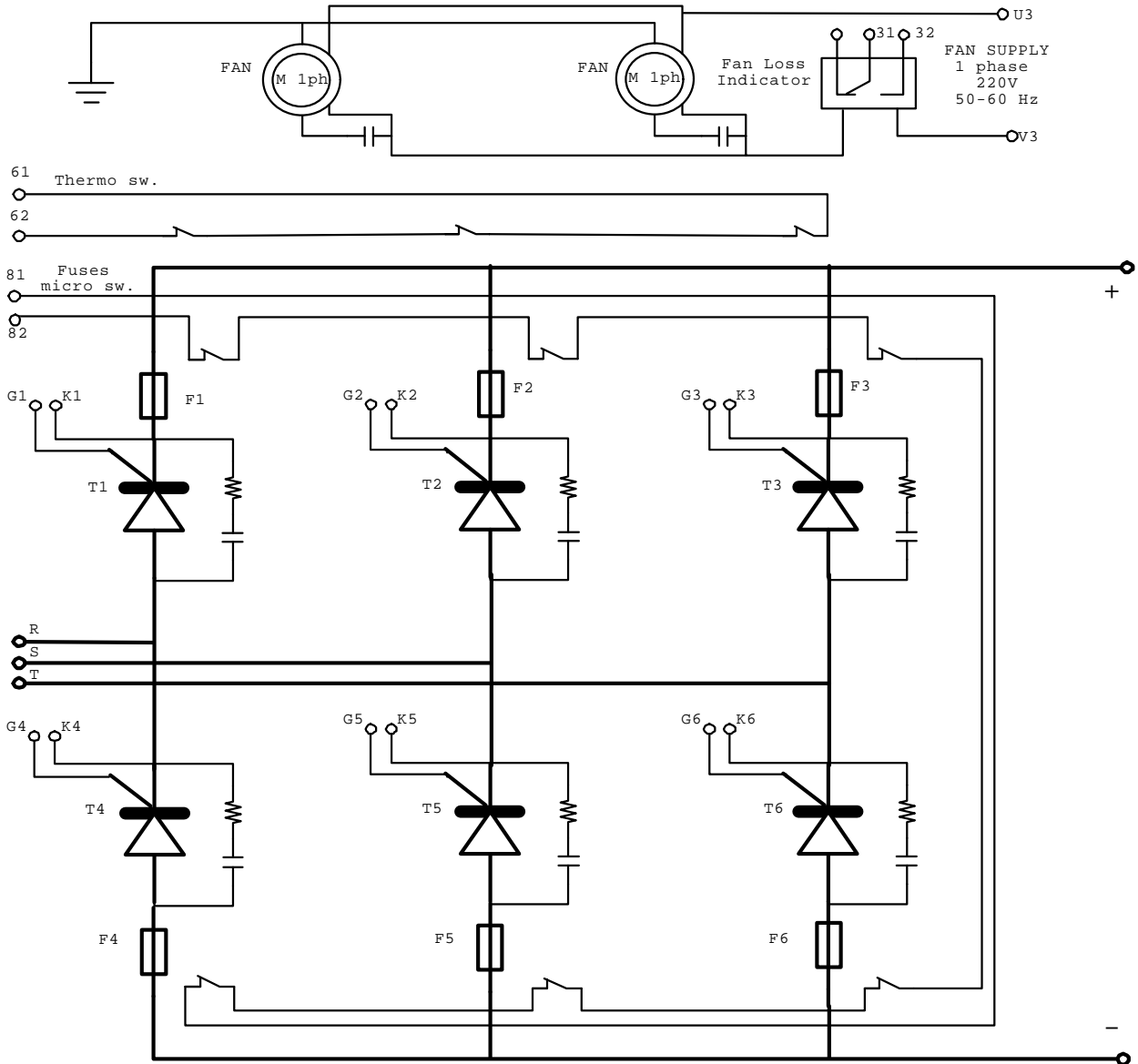
V _{GT}	Gate trigger voltage	T _j = 25 °C, V _D = 5 V	3 V	3 V	
I _{GT}	Gate trigger current	T _j = 25 °C, V _D = 5 V	400 mA	400 mA	
dV/dt	Critical rate of rise off-state voltage	T _j = 125 °C	1000 V/us	1000 V/us	
V _{RRM}	Blocking Voltage	T _j = 125 °C	1200 V	1600 V	

FUSE TYPE: 2 x SIBA 2068132.900

V _{NF}	Rated voltage		690 V	690 V	
I _{NF}	Rated current		800 A	800 A	
P _{VF}	Power loss	At rated current	120 W	120 W	
I ² t	Total I ² t	At 660 V	660 kA ² s	660 kA ² s	

MECHANICAL AND THERMAL CHARACTERISTICS

	Width		500 mm	500 mm	
	Depth		275 mm	275 mm	
	Height		935 mm	935 mm	
	Mass		140 kg	140 kg	
T _{a max}	Max amb. op. Temp.		40 °C	40 °C	
T _{stg}	Storage temperature		-40/60 °C	-40/60 °C	



In the interest of product improvement Green Power Semiconductors reserves the right to change any specification given in this data sheet without notice.