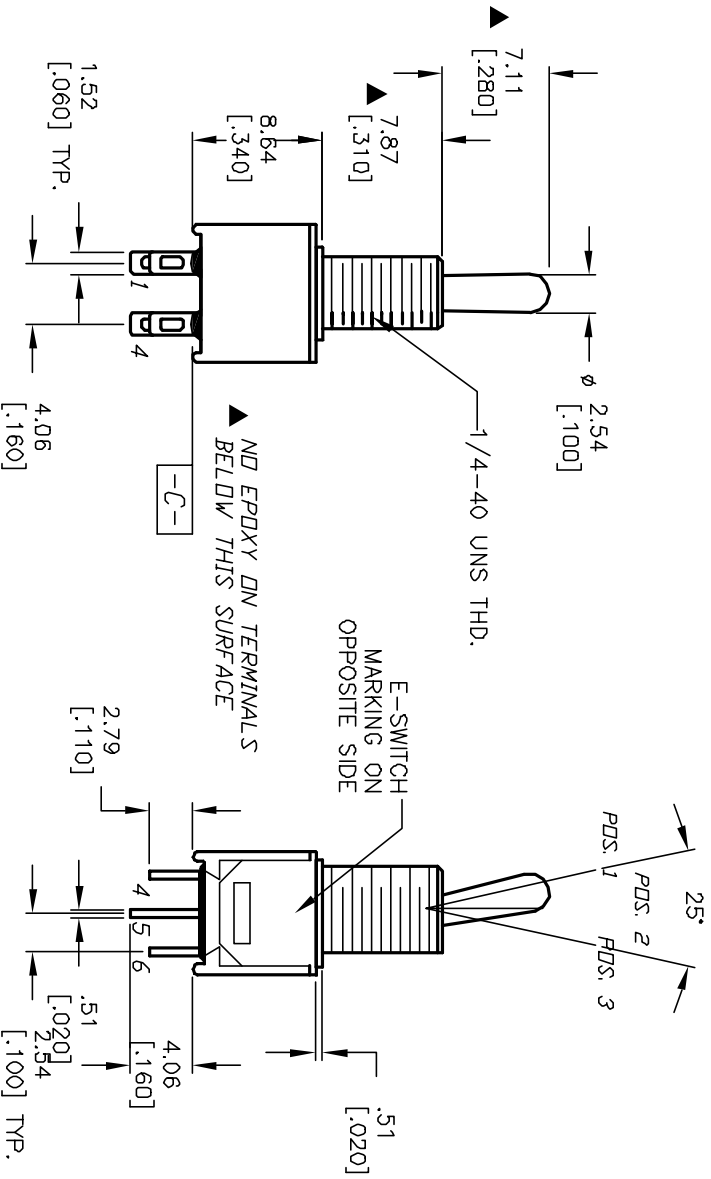
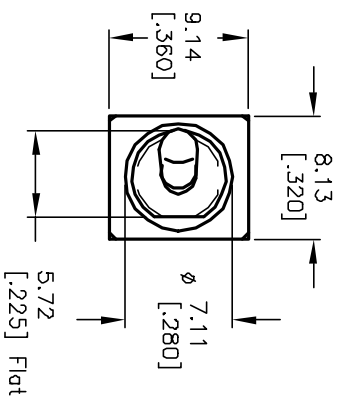


CIRCUIT: DPDT
CONTACT CONFIGURATION

SWITCH FUNCTION		
PDS. 1	PDS. 2	PDS. 3
DN	NONE	DN
2-3,5-6	DPEN	2-1,5-4



NOTES:

1. ALL DIMENSIONS IN MM [INCH]
2. GENERAL TOLERANCE: X.X=±0.4
X.XX=±0.25
3. TERM. NOS. FOR REF. ONLY
4. CONTACT RATING: 3AMPS @120 VAC OR 28 VDC; 1 AMP @ 250 VAC.
5. FIXED TERMINAL & MOVING CONTACT: SILVER PLATE OVER COPPER
6. ELECTRIC LIFE: 30,000 MAKE-AND-BREAK CYCLES AT FULL LOAD.
7. INSULATION RESISTANCE: 1,000 M OHM MIN.
8. DIELECTRIC STRENGTH: 1,000 V RMS @SEA LEVEL.
9. OPERATING TEMP.: -30°C to 85°C
10. ▲ DENOTES CRITICAL PARAMETER.

E-SWITCH®

TITLE
200MDP1T1B5M1QE

REV. A	13062	RELEASED FOR PRODUCTION	4/21/03	AR
ECN No.	DESCRIPTION		DATE	CHKD

SCALE	DATE	DR	DWG	REV
2:1	4/21/03	AR	T221017	A

THE INFORMATION CONTAINED IN THIS DOCUMENT IS PROPRIETARY TO E-SWITCH AND IS NOT TO BE COPIED OR TRANSFERRED