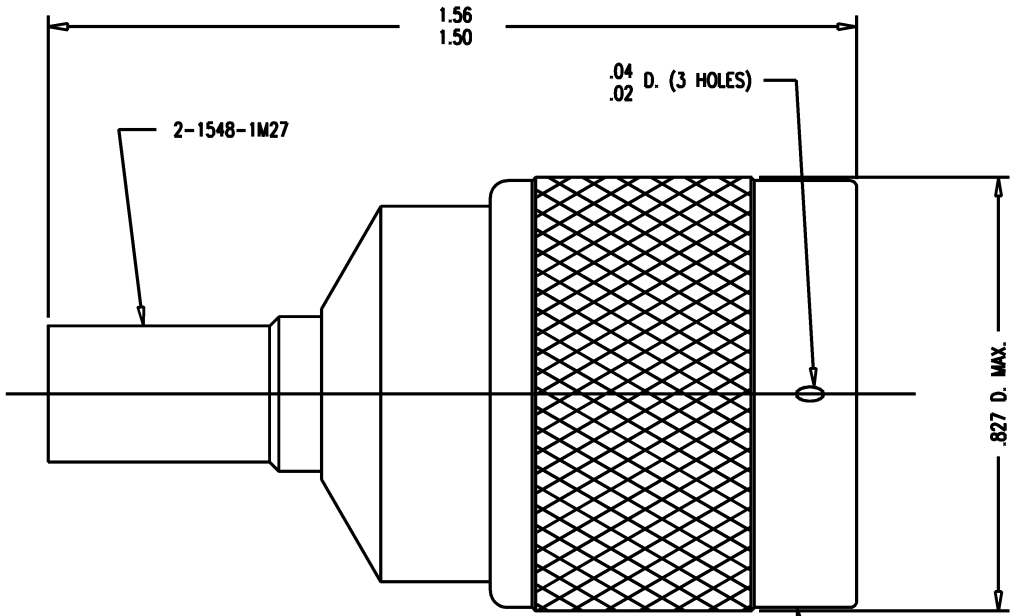


GSD



NOTES:

1. FOR USE WITH BOEING S280W503-3 & ADAMS RUSSELL FC20Z CABLE.
2. FOR CABLING INSTRUCTIONS SEE 3-546-2.
3. FOR CRIMPING USE DIE KTH-2231.
4. INTERFACE PER MIL-STD-348, FIG. 304-1.
5. CENTER CONTACT (1-547-32MA9) SUPPLIED UNASSEMBLED.
6. MARK PACKAGE: HS5944-1

1205-62-7
91836
XXXX (DATE CODE)

7. MATERIALS:

- INSULATOR-TEFLON, ASTM-D-4894
- OUTER CONTACT-BER. COP., ASTM-B-196
- K-GRIP SLEEVE-COMMERCIAL BRONZE, ASTM-B-135
- GASKET-SILICONE RUBBER, ZZ-R-765
- C-RING-PHOS. BRONZE, QQ-B-750
- ALL OTHER METAL PARTS-BRASS, ASTM-B16

8. FINISHES:

- CENTER CONTACT-GOLD PLATE PER MIL-G-45204
- OUTER CONTACT-SILVER PLATE PER QQ-S-365
- ALL OTHER METAL PARTS-KINGS TARNISH RESISTANT FINISH (TR-5)

STAMP: 91836 1205-62-7
XX XX (DATE CODE)

9. ELECTRICAL CHARACTERISTICS:

- NOMINAL IMPEDANCE-50 OHMS
- FREQUENCY RANGE-DC TO 11 GHZ
- WORKING VOLTAGE-1000 VRMS
- VSWR: 1.30 MAX. .5-11 GHZ
- INSERTION LOSS: .15 dB MAX. AT 9 GHZ

10. CONNECTOR WEIGHT:

37 GRAMS (.082 lb).

CN 38710 C

DCT REVISIONS

ISSUE	CHANGES
0	ER 37070 AR 07/18/96
1	CN 38710 C DCT 6/23/3
2	CN 39695 C PMC 11/13/06

1205-62-7

SCALE 4:1

APPROX SURFACE AREA

USED ON

REF: McD. DOUGLAS HS5944-1 REV. -

PLUG, N

DRAWN AR DATE 07/18/96

DESIGN AR DATE 07/18/96

APPR. DATE

KINGS
ELECTRONICS CO., INC.
ROCK HILL, SOUTH CAROLINA 29730

1205-62-7

GSD