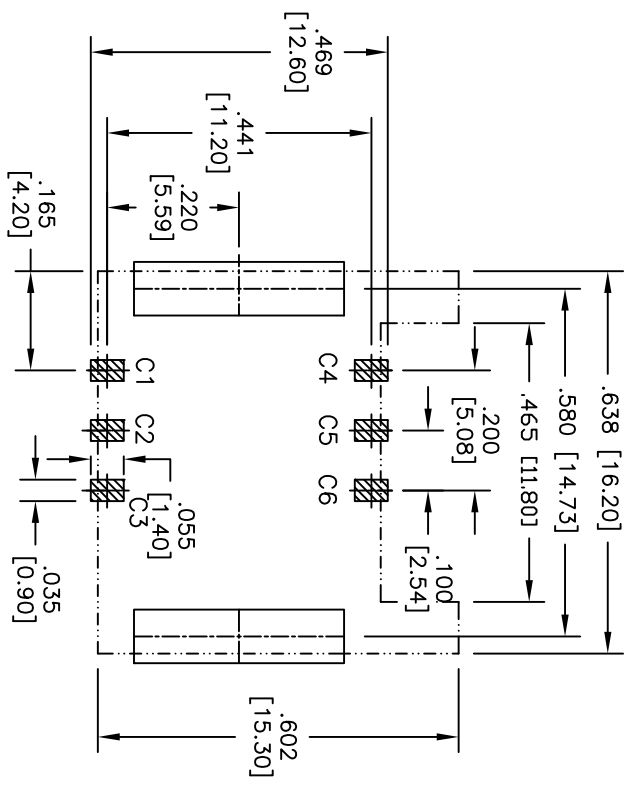
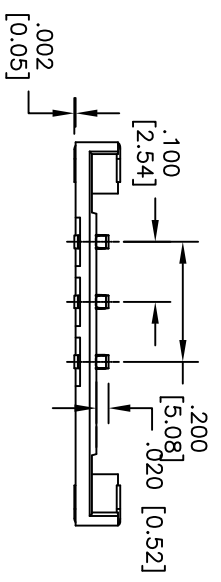
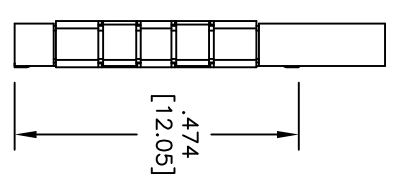
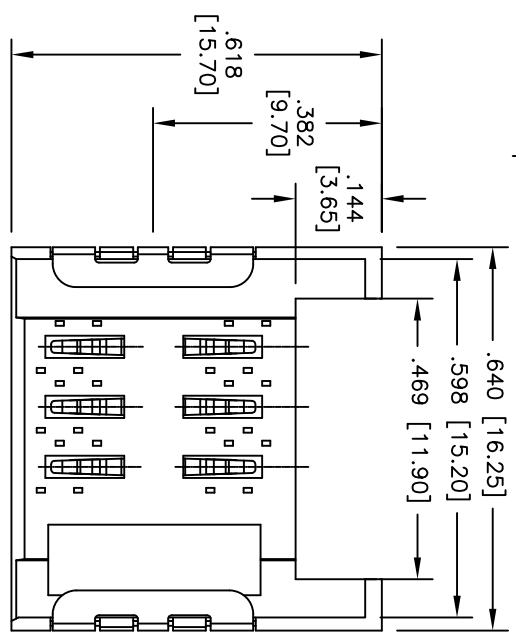
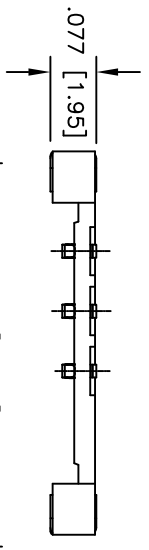


Rev	AWO #	Description	Date	Appr
-		RELEASED	2/01/10	

APPROVED: _____

DATE: _____ TITLE: _____



RECOMMENDED PCB LAYOUT

SPECIFICATIONS:

Material: Insulator: LCP, rated UL 94V-0
 Insulator color: Black
 Contacts: Copper Alloy
 Shell: Stainless

Plating: Gold flash over Nickel underplate on contact area,
 Tin over Copper underplate on SMT tails.

Electrical:

Voltage rating: 10 VAC/DC max
 Current rating: 0.5 Amps max
 Contact resistance: 100 mohms max.
 Insulation resistance: 1000 Mohms min
 Dielectric withstanding voltage: 500 VAC for 1 minute
 Temperature Rating:
 Operating temperature: -25°C to +90°C

Environmental:
 Lead free, RoHS compliant.
 Recommended soldering temp: 260°C for 5 sec.



ADAM TECH

909 Rahway Avenue, Union, NJ 07083
 Phone: 908-687-5000 Fax: 908-687-5710

TITLE: SIM CARD CONNECTOR, 6 POSITION SURFACE MOUNT

UNLESS OTHERWISE SPECIFIED ALL DIMENSIONS ARE IN INCHES [MM] TOLERANCES: EXCEPT AS NOTED	
.X ± .10	ØX ± .10
.XX ± .020	ØXX ± .015
.XXX ± .015	ØXXX ± .010
APPROVALS	DATE
DRAWN	DY
CHECKED	
APPROVED	

SIZE	PART NO.	REV.
X	SCC-G-06-SG-SMT	-
REF: S00041C	SCALE: NTS	SHEET 1 OF 1