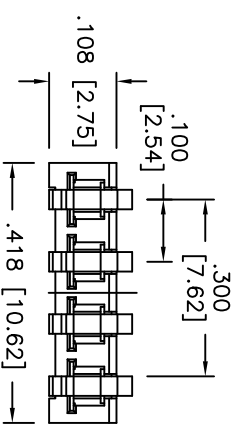
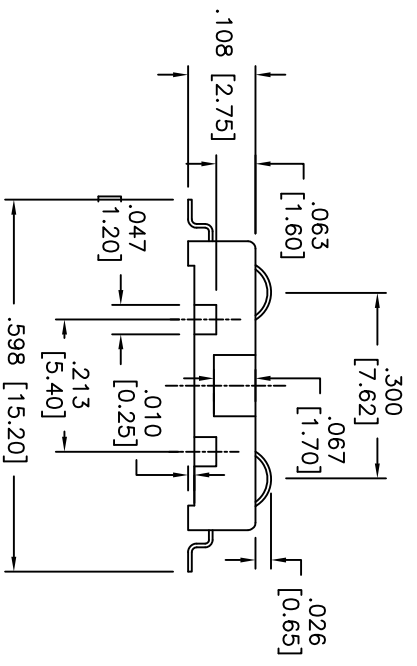
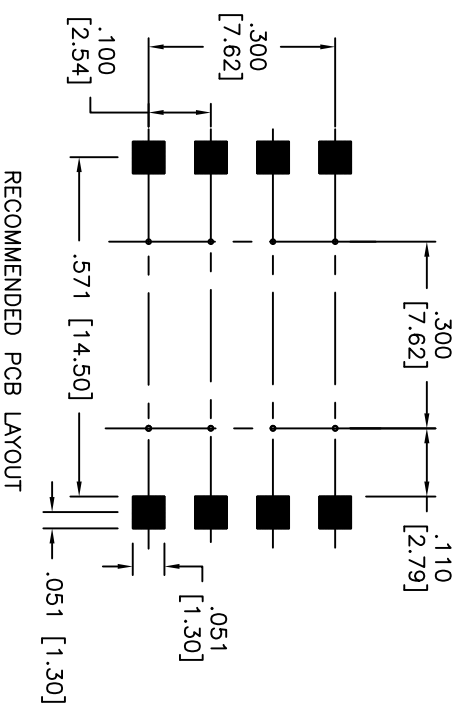
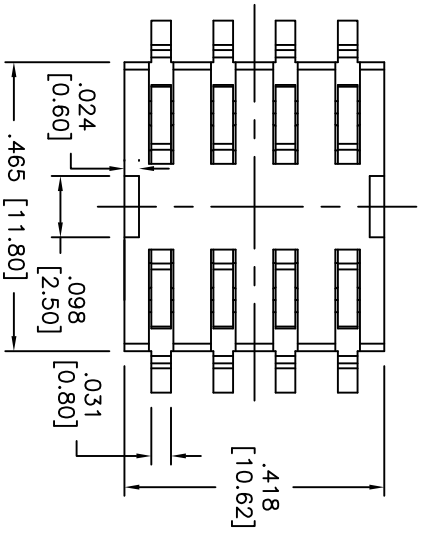


Rev	AWO #	Description	Date	Appr
-		RELEASED	1/10/11	

APPROVED: _____
 DATE: _____ TITLE: _____



SPECIFICATIONS:

Material:
 Insulator: Hi-temp thermoplastic, rated UL 94V-0
 Insulator color: Black

Contacts: Copper Alloy, Gold over Nickel plated

Electrical:
 Voltage rating: 30V AC
 Rated current: 1A max.

Contact resistance: 50 mohms max.
 Insulation resistance: 1000 Mohms min

Dielectric withstanding voltage: 500VAC rms 1 min.

Temperature Rating:
 Operating temperature: -20°C to +70°C

Environmental:
 Lead free, RoHS compliant.

Recommended soldering temp: 260°C for 5 sec.

Recommended soldering temp: 260°C for 5 sec.



ADAM TECH

909 Rahway Avenue, Union, NJ 07083
 Phone: 908-687-5000 Fax: 908-687-5710

TITLE
 SIM CARD CONNECTOR, 8 POSITION
 SURFACE MOUNT

UNLESS OTHERWISE SPECIFIED ALL DIMENSIONS ARE INCHES [MM]	
TOLERANCES: EXCEPT AS NOTED	
.X	±.10
.XX	±.020
.XXX	±.015
.XXX	±.010
APPROVALS	DATE
DRAWN	DY
CHECKED	
APPROVED	
DATE	1/10/11

SIZE	PART NO.	REV.
X	SCC-08-SMT-2.75	-
REF: S00010T	SCALE: NTS	SHEET 1 OF 1