



PRELIMINARY

SOLID STATE DEVICES, INC

14849 Firestone Boulevard · La Mirada, CA 90638
Phone: (714) 670-SSDI (7734) · Fax: (714) 522-7424

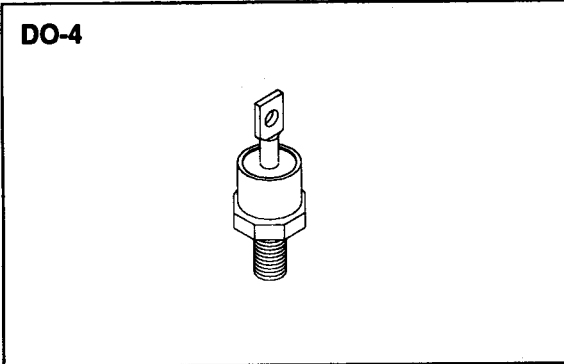
**1N1124A
and
1N1128A**

Designer's Data Sheet

FEATURES:

- Fast Recovery: 5 μ sec maximum
- PIV to 600 Volts
- Low Reverse Leakage Current
- Hermetically Sealed
- Single Chip Construction
- High Surge Rating
- Low Thermal Resistance
- I.A.W. MIL-S-19500/104
- For Reverse Polarity add suffix "R"
- Higher Voltage and Current devices available
- TX, TXV, and Space Level Screening available

**3 AMPS
200-600 VOLTS
5 μ sec
STANDARD RECOVERY
RECTIFIER**



MAXIMUM RATINGS

RATING	SYMBOL	VALUE	UNIT
Peak Repetitive Reverse and DC Blocking Voltage 1N1124A 1N1125A 1N1126A 1N1127A 1N1128A	VRRM VRWM VR	200 300 400 500 600	Volts
Average Rectified Forward Current (Resistive Load, 60Hz, Sine Wave, TA=25°C)	IO	3	Amps
Peak Surge Current (8.3 ms Pulse, Half Sine Wave, TA=25°C)	IFSM	50	Amps
Operating and storage temperature	Top & Tstg	-65 to +150	°C
Maximum Thermal Resistance Junction to Case	R θ JC	3	°C/W

1N1124A and 1N1128A

PRELIMINARY



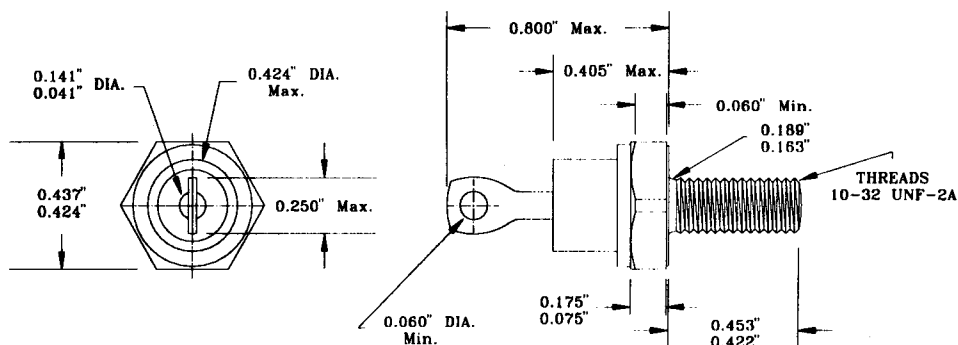
SOLID STATE DEVICES, INC

14849 Firestone Boulevard · La Mirada, CA 90638
Phone: (714) 670-SSDI (7734) · Fax: (714) 522-7424

ELECTRICAL CHARACTERISTICS

CHARACTERISTICS	SYMBOL	MAXIMUM	UNIT
Instantaneous Forward Voltage Drop (IF = 3 Adc, TA=25°C, 300µs Pulse)	VF	1.1	Vdc
Instantaneous Forward Voltage Drop (IF = 3 Adc, TA= - 55°C, 300µs Pulse)	VF	1.3	Vdc
Reverse Leakage Current (Rated VR, TA=25°C, 300µs pulse minimum)	IR	10	µA
Reverse Leakage Current (Rated VR, TA=100°C, 300µs pulse minimum)	IR	500	µA
Junction Capacitance (VR = 10 Vdc, TA=25°C, f= 1 MHz)	CJ	200	pf
Reverse Recovery Time (IF=500mA, IR=1 A, IRR=250mA, TA=25°C)	trr	5	µsec

CASE OUTLINE: DO-4



TYPICAL OPERATING CURVES

TA=25°C Unless otherwise specified

