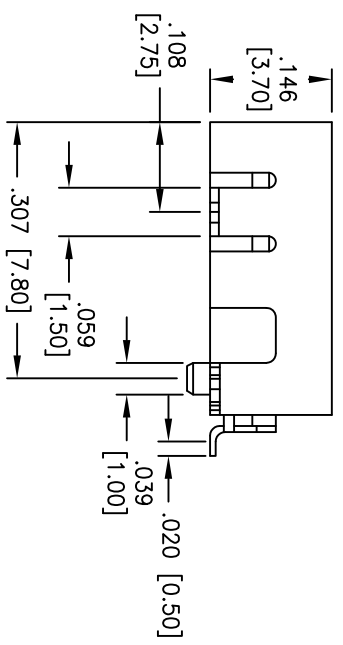
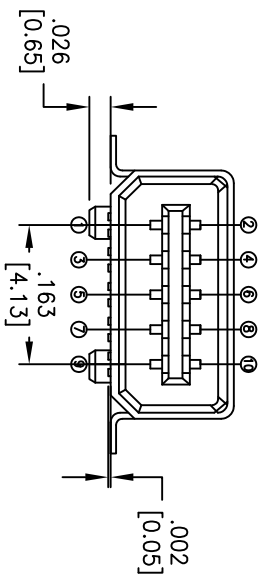
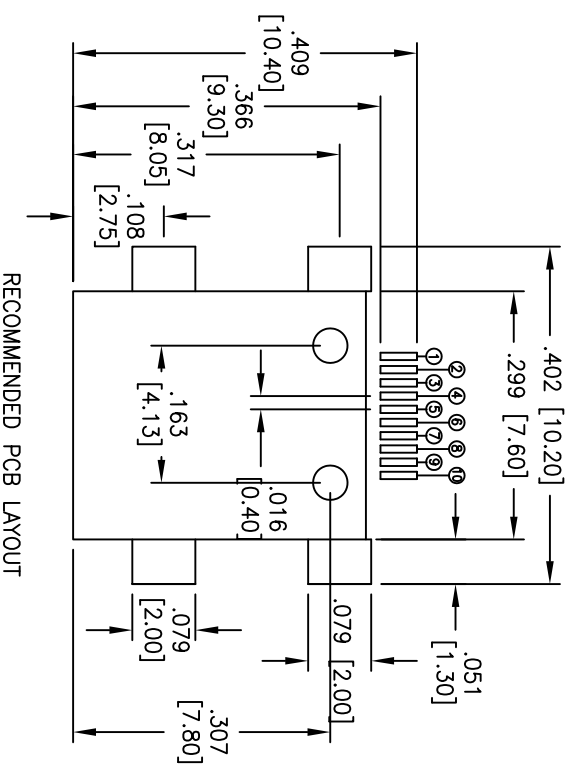
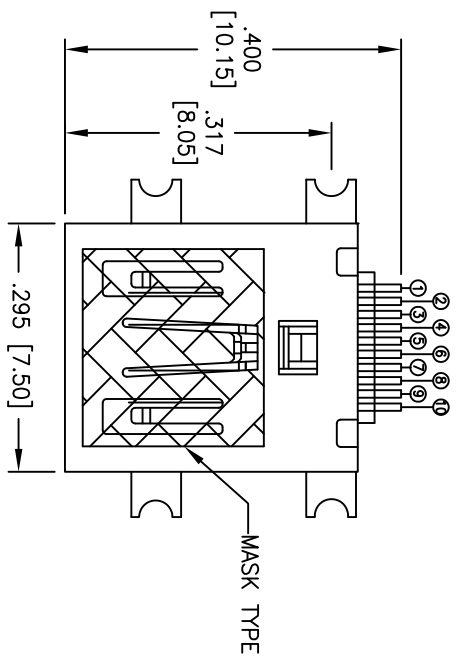


Rev	AWO #	Description	Date	Appr
-		RELEASED	12/07/09	

APPROVED: _____
 DATE: _____ TITLE: _____



SPECIFICATIONS:

- Material: Insulator: LCP, rated UL 94V-0
- Insulator color: Black
- Contacts: Phosphor Bronze
- Shell: Brass, Nickel plated
- Plating: Gold flash over Nickel underplate overall

- Electrical: Contact resistance: 80 mohms max.
- Insulation resistance: 100 Mohms min.
- Dielectric withstanding voltage: 500 VAC for 1 minute
- Temperature Rating: Operating temperature: -55°C to +105°C



Lead free, RoHS compliant.
 Recommended soldering temp: 260°C for 5 sec.

ADAM TECH

909 Railway Avenue, Union, NJ 07083
 Phone: 908-687-5000 Fax: 908-687-5710

TITLE: MINI USB, 10P, FEMALE, SINGLE PORT
 RIGHT ANGLE, TRUE SMT TYPE

UNLESS OTHERWISE SPECIFIED ALL DIMENSIONS ARE MM	
TOLERANCES: EXCEPT AS NOTED	
INCHES	HOLES
.X ± .10	ØX ± .10
.XX ± .020	ØXX ± .015
.XXX ± .015	ØXXX ± .010
APPROVALS	DATE
DRAWN	DY
12/07/09	
CHECKED	
APPROVED	

SIZE	PART NO.	SCALE	SHEET	REV.
X	MUSB-10P-S-RA-TSMT-1	NTS	1 OF 1	-