

BACKSHELL KIT INCLUDES:

(2) BACKSHELL HALVES

(2) 4-40 THUMBSCREWS

(2) HOUSING SCREWS & (2) NUTS

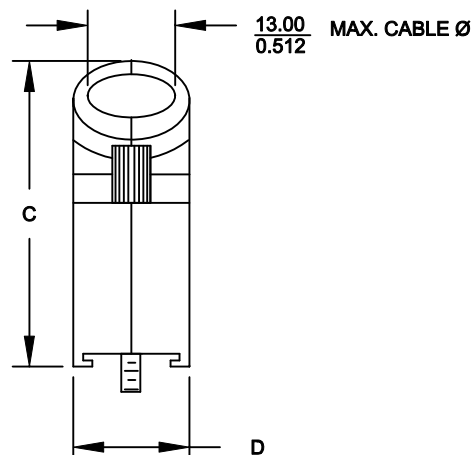
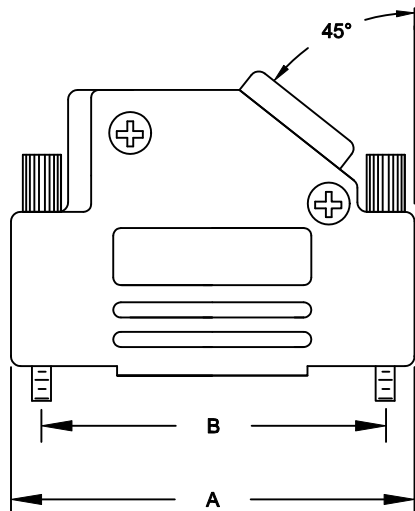
(1) SET OF COMPRESSION INSERTS - VARIOUS SIZES

DIAMETERS: 4mm (.157"), 5mm (.197"), 7mm (.276"), 9mm (.351")

NOTE: 9 POSITION HAS ONLY 1 THUMBSCREW

(OPPOSITE CABLE ENTRY)

DIMENSIONS (mm/in)				
SIZE:	A $\pm .25$ $\pm .010$	B $\pm .13$ $\pm .005$	C $\pm .25$ $\pm .010$	D $\pm .25$ $\pm .010$
9	31.00	24.99	36.30	15.00
	1.220	0.984	1.429	0.591
15	39.50	33.32	40.30	15.00
	1.555	1.312	1.587	0.591
25	53.20	47.04	40.30	15.00
	2.094	1.852	1.587	0.591
37	69.70	63.50	40.30	15.00
	2.744	2.500	1.587	0.591



ORDERING INFORMATION

SIZE:	P/N KITTED:	PRODUCT CODE:
9-WAY	6560-0146-11	MHD45PK-9-K
15-WAY	6560-0146-12	MHD45PK-15-K
25-WAY	6560-0146-13	MHD45PK-25-K
37-WAY	6560-0146-14	MHD45PK-37-K

SIZE:	P/N BULK:	PRODUCT CODE:
9-WAY	6561-0146-11	MHD45PK-9
15-WAY	6561-0146-12	MHD45PK-15
25-WAY	6561-0146-13	MHD45PK-25
37-WAY	6561-0146-14	MHD45PK-37

PLASTIC: ABS POLYLAC - UL RECOGNIZED
NICKEL PLATED

4-40 THUMBSCREWS: STEEL - Zn PLATED

HOOD SCREWS: STEEL - ZN PLATED

COMPRESSION INSERTS: ABS UL RECOGNIZED

NUTS: STEEL - Zn PLATED

OPERATING TEMP: -55°C TO +110Ø

THESE DRAWINGS AND SPECIFICATIONS ARE THE PROPERTY OF MH CONNECTORS LTD. AND SHALL NOT BE REPRODUCED, COPIED OR USED AS THE BASIS FOR THE MANUFACTURE OR SALE OF APPARATUS WITHOUT WRITTEN PERMISSION.

DRAWN P. JENKINS	DATE 03-14-12
----------------------------	-------------------------

APPROVED D. CROFT	DATE 03-14-12
-----------------------------	-------------------------

SCALE NTS	SHEET 1	OF 1	REV: A
---------------------	-------------------	----------------	------------------

DRAWING No
MHD45PK SERIES

RoHS COMPLIANT



MH CONNECTORS LTD.