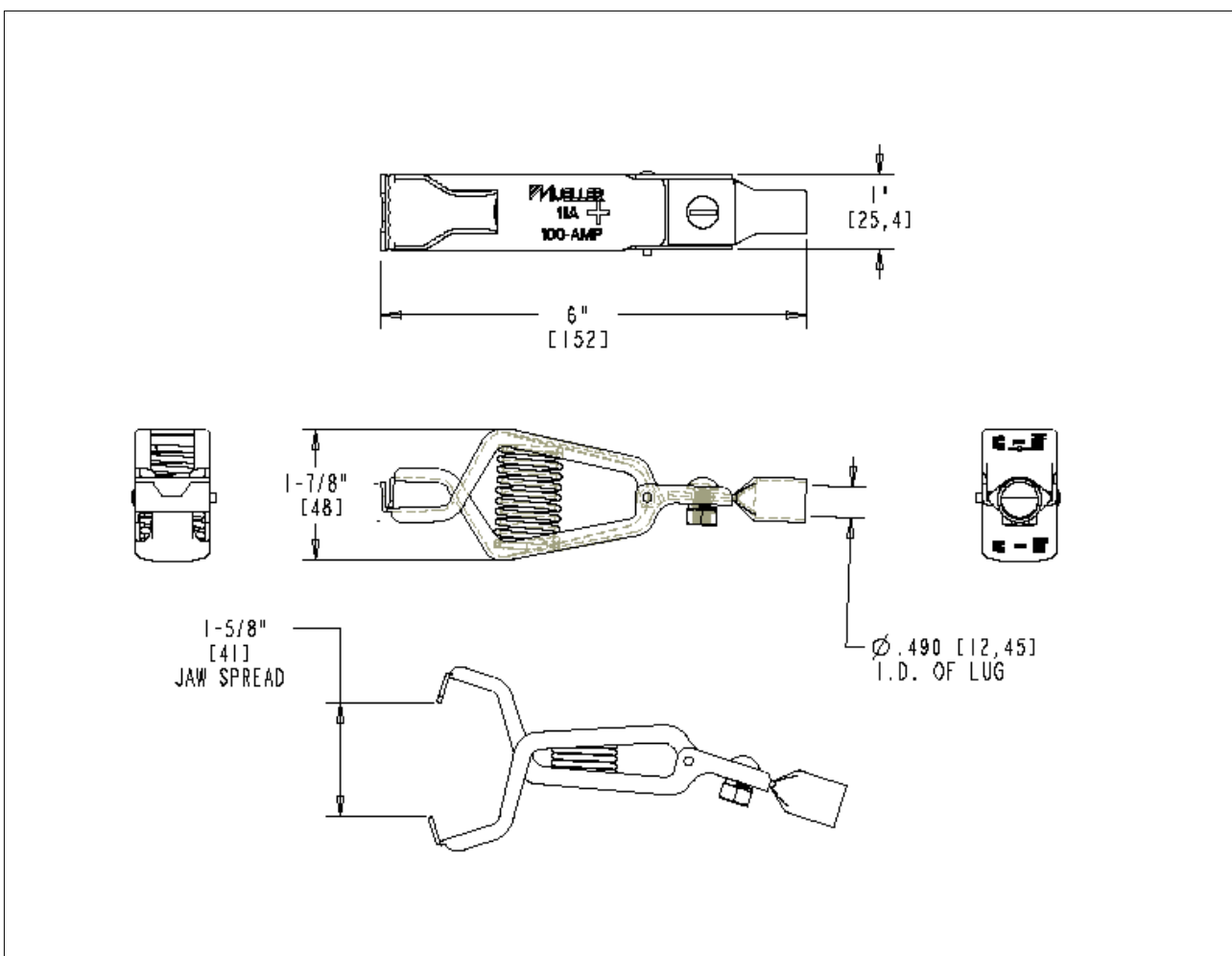




Part Number: BU-11APS
Description: Heavy duty grounding Clip

4106



- Heavy duty grounding clip
- Can be used with up to 0 AWG wire or welding cable
- Material: Zinc plated steel
- Also see BU-APN, for an unmarked clip and BU-CPN & BU-CPS for Higher current carrying copper versions
- Use with Mueller Brand BU-13-* PVC Insulators
- Rating: 100 Amps
- Packaged in Bulk
- RoHS Compliant