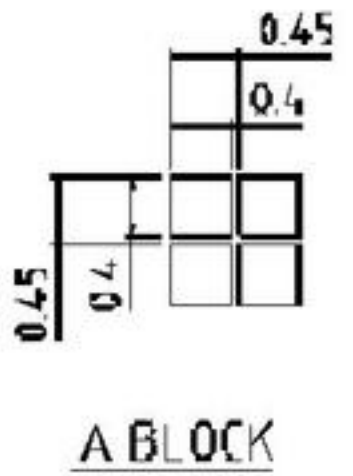
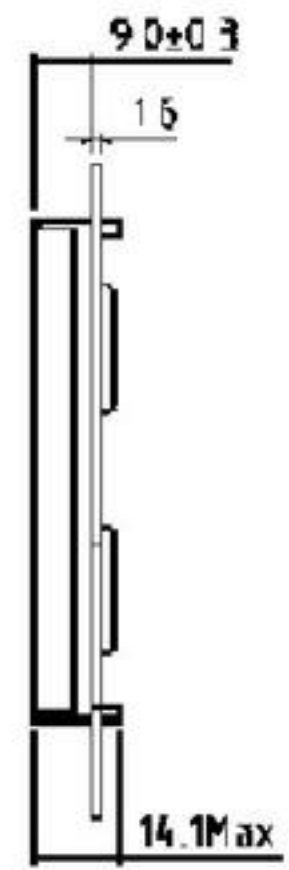
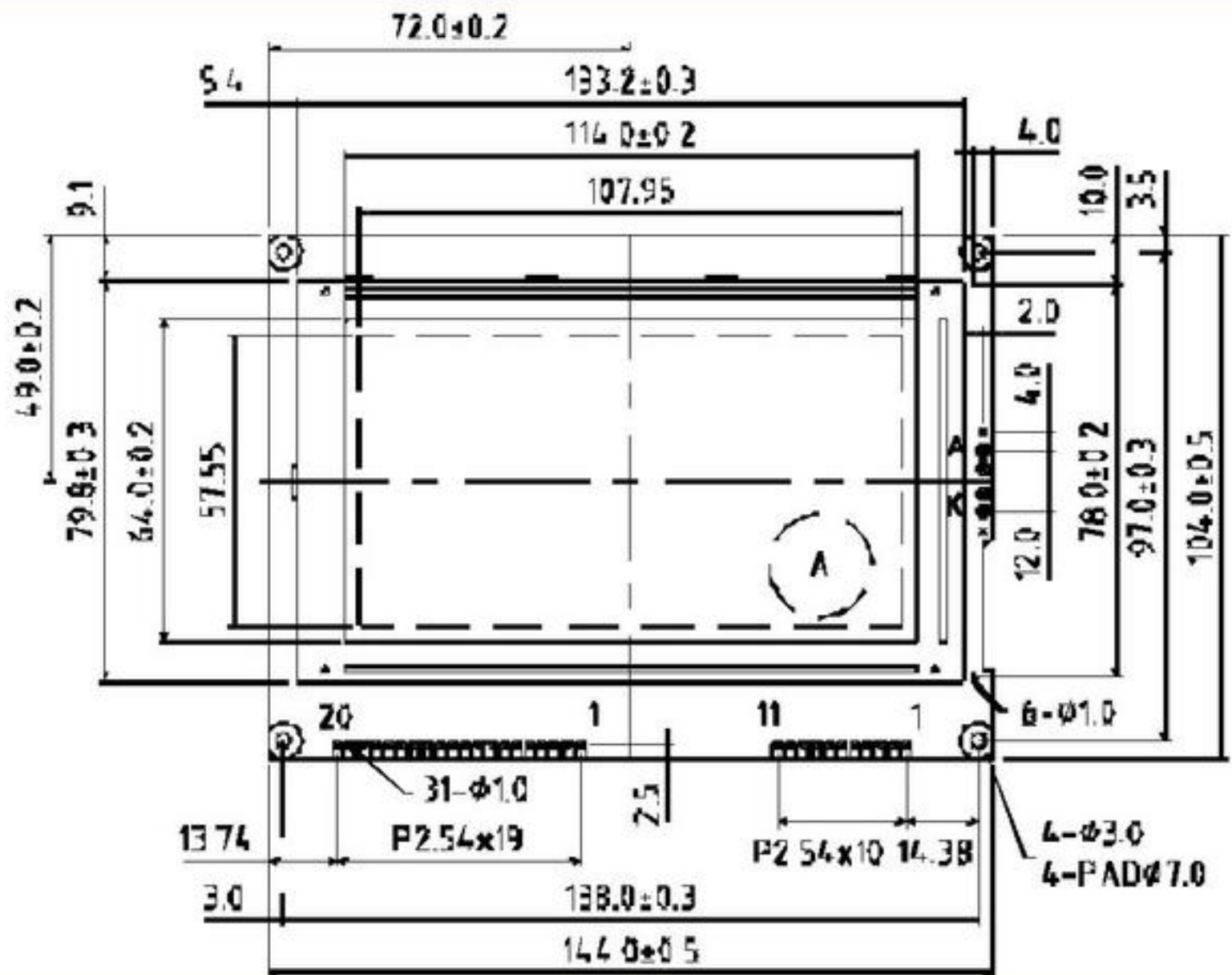


# External Dimensions



Ref. EL, B/L

LED, B/L