



T-SMINTIX  
4B3T Second Gen.  
Modular ISDN NT  
(Intelligent eXtended)  
PEF 81902 Version 1.1

Wired  
Communications



Never stop thinking.

**Edition 2001-11-12**

**Published by Infineon Technologies AG,  
St.-Martin-Strasse 53,  
D-81541 München, Germany**

**© Infineon Technologies AG 2001.  
All Rights Reserved.**

**Attention please!**

The information herein is given to describe certain components and shall not be considered as warranted characteristics.

Terms of delivery and rights to technical change reserved.

We hereby disclaim any and all warranties, including but not limited to warranties of non-infringement, regarding circuits, descriptions and charts stated herein.

Infineon Technologies is an approved CECC manufacturer.

**Information**

For further information on technology, delivery terms and conditions and prices please contact your nearest Infineon Technologies Office in Germany or our Infineon Technologies Representatives worldwide (see address list).

**Warnings**

Due to technical requirements components may contain dangerous substances. For information on the types in question please contact your nearest Infineon Technologies Office.

Infineon Technologies Components may only be used in life-support devices or systems with the express written approval of Infineon Technologies, if a failure of such components can reasonably be expected to cause the failure of that life-support device or system, or to affect the safety or effectiveness of that device or system. Life support devices or systems are intended to be implanted in the human body, or to support and/or maintain and sustain and/or protect human life. If they fail, it is reasonable to assume that the health of the user or other persons may be endangered.

**T-SMINTIX**  
**4B3T Second Gen.**  
**Modular ISDN NT**  
**(Intelligent eXtended)**  
PEF 81902 Version 1.1

Wired  
Communications



Never stop thinking.

Page	Subjects (major changes since last revision)
<b>Table 18</b> <b>Figure 34</b> <b>Chapter 2.4.7.4</b>	Additional C/I-command LTD
<b>Chapter 3.2.3</b> <b>Chapter 4.3</b> <b>Chapter 4.9.4</b>	The Frammer / Deframer Loopback (DLB) is no more supported
<b>Chapter 4.3</b>	Reset value of MASKU is FFh (not 00h)
<b>Chapter 4.3</b> <b>Chapter 4.9.8</b>	Reset value of FW-Version is 3Eh
<b>Chapter 4.9.4</b>	Restriction of LOOP.LB1, LB2 and LBBD to Transparent state
<b>Chapter 5.2</b>	Input Leakage Current AIN, BIN: max. 30µA
<b>Chapter 5.4</b>	Reduced power consumption

For questions on technology, delivery and prices please contact the Infineon Technologies Offices in Germany or the Infineon Technologies Companies and Representatives worldwide: see our webpage at <http://www.infineon.com>

<b>Table of Contents</b>		<b>Page</b>
<b>1</b>	<b>Overview</b> .....	1
1.1	References .....	2
1.2	Features .....	3
1.3	Not Supported are ... ..	4
1.4	Pin Configuration .....	5
1.5	Block Diagram .....	6
1.6	Pin Definitions and Functions .....	7
1.6.1	Specific Pins and Test Modes .....	12
1.7	System Integration .....	13
<b>2</b>	<b>Functional Description</b> .....	16
2.1	Microcontroller Interfaces .....	16
2.1.1	Serial Control Interface (SCI) .....	16
2.1.1.1	Programming Sequences .....	19
2.1.2	Parallel Microcontroller Interface .....	21
2.1.3	Microcontroller Clock Generation .....	23
2.2	Reset Generation .....	24
2.3	IOM <sup>®</sup> -2 Interface .....	27
2.3.1	IOM,-2 Functional Description .....	27
2.3.2	IOM,-2 Handler .....	28
2.3.2.1	Controller Data Access (CDA) .....	30
2.3.2.2	Serial Data Strobe Signal .....	40
2.3.3	IOM,-2 Monitor Channel .....	41
2.3.3.1	Handshake Procedure .....	41
2.3.3.2	Error Treatment .....	45
2.3.3.3	MONITOR Channel Programming as a Master Device .....	47
2.3.3.4	MONITOR Channel Programming as a Slave Device .....	47
2.3.3.5	Monitor Time-Out Procedure .....	48
2.3.3.6	MONITOR Interrupt Logic .....	48
2.3.4	C/I Channel Handling .....	49
2.3.5	D-Channel Access Control .....	51
2.3.5.1	Application Example for D-Channel Access Control .....	51
2.3.5.2	TIC Bus Handling .....	51
2.3.5.3	Stop/Go Bit Handling .....	53
2.3.5.4	D-Channel Arbitration .....	53
2.3.5.5	State Machine of the D-Channel Arbiter .....	54
2.3.6	Activation/Deactivation of IOM <sup>®</sup> -2 Interface .....	56
2.4	U-Transceiver .....	58
2.4.1	4B3T Frame Structure .....	58
2.4.2	Maintenance Channel .....	62
2.4.3	Coding from Binary to Ternary Data .....	62
2.4.4	Decoding from Ternary to Binary Data .....	63
2.4.4.1	Monitoring of Code Violations .....	64

<b>Table of Contents</b>		<b>Page</b>
2.4.4.2	Block Error Counter (RDS Error Counter) .....	64
2.4.5	Scrambler / Descrambler .....	65
2.4.6	Command/Indication Codes .....	65
2.4.7	State Machine for Activation and Deactivation .....	66
2.4.7.1	State Machine Notation .....	66
2.4.7.2	Awake Protocol .....	67
2.4.7.3	NT State Machine (IEC-T / NTC-T Compatible) .....	70
2.4.7.4	Inputs to the U-Transceiver .....	71
2.4.7.5	Outputs of the U-Transceiver .....	73
2.4.7.6	NT-States .....	74
2.4.8	U-Transceiver Interrupt Structure .....	76
2.5	S-Transceiver .....	78
2.5.1	Line Coding, Frame Structure .....	78
2.5.2	S/Q Channels, Multiframeing .....	80
2.5.3	Data Transfer between IOM,-2 and S0 .....	81
2.5.4	Loopback 2 .....	81
2.5.5	Control of S-Transceiver / State Machine .....	81
2.5.5.1	C/I Codes .....	84
2.5.5.2	State Machine NT Mode .....	86
2.5.5.3	State Machine LT-S Mode .....	90
2.5.6	S-Transceiver Enable / Disable .....	93
2.5.7	Interrupt Structure S-Transceiver .....	94
2.6	HDLC Controller .....	95
2.6.1	Message Transfer Modes .....	95
2.6.2	Data Reception .....	96
2.6.2.1	Structure and Control of the Receive FIFO .....	96
2.6.2.2	Receive Frame Structure .....	102
2.6.3	Data Transmission .....	104
2.6.3.1	Structure and Control of the Transmit FIFO .....	104
2.6.3.2	Transmit Frame Structure .....	109
2.6.4	Access to IOM,-2 channels .....	110
2.6.5	Extended Transparent Mode .....	110
2.6.6	Timer .....	111
2.6.7	HDLC Controller Interrupts .....	112
2.6.8	Test Function .....	113
2.6.9	Reset Behavior .....	114
<b>3</b>	<b>Operational Description</b> .....	<b>115</b>
3.1	Layer 1 Activation/Deactivation .....	115
3.1.1	Generation of 4B3T Signal Elements .....	115
3.1.2	Complete Activation Initiated by Exchange .....	118
3.1.3	Complete Activation Initiated by TE .....	119
3.1.4	Complete Activation Initiated by NT .....	120

<b>Table of Contents</b>		<b>Page</b>
3.1.5	Complete Deactivation .....	121
3.1.6	Loop 2 .....	122
3.2	Layer 1 Loopbacks .....	123
3.2.1	Analog Loop-Back S-Transceiver .....	123
3.2.2	Loopback No.2 .....	124
3.2.2.1	Complete Loopback .....	125
3.2.2.2	Loopback No.2 - Single Channel Loopbacks .....	125
3.2.3	Local Loopbacks Featured By the LOOP Register .....	125
3.3	External Circuitry .....	127
3.3.1	Power Supply Blocking Recommendation .....	127
3.3.2	U-Transceiver .....	127
3.3.3	S-Transceiver .....	129
3.3.4	Oscillator Circuitry .....	132
3.3.5	General .....	132
<b>4</b>	<b>Register Description .....</b>	<b>133</b>
4.1	Address Space .....	133
4.2	Interrupts .....	134
4.3	Register Summary .....	136
4.3.1	Reset of U-Transceiver Functions During Deactivation or with C/I-Code RESET 143	
4.3.2	Mode Register Evaluation Timing .....	144
4.4	Detailed HDLC Control and C/I Registers .....	145
4.4.1	RFIFO - Receive FIFO .....	145
4.4.2	XFIFO - Transmit FIFO .....	145
4.4.3	ISTAH - Interrupt Status Register HDLC .....	145
4.4.4	MASKH - Mask Register HDLC .....	147
4.4.5	STAR - Status Register .....	148
4.4.6	CMDR - Command Register .....	149
4.4.7	MODEH - Mode Register HDLC Controller .....	150
4.4.8	EXMR - Extended Mode Register .....	152
4.4.9	TIMR - Timer Register .....	153
4.4.10	SAP1 - SAPI1 Register .....	154
4.4.11	SAP2 - SAPI2 Register .....	155
4.4.12	RBCL - Receive Frame Byte Count Low .....	155
4.4.13	RBCH - Receive Frame Byte Count High for D-Channel .....	156
4.4.14	TEI1 - TEI1 Register .....	156
4.4.15	TEI2 - TEI2 Register .....	157
4.4.16	RSTA - Receive Status Register .....	157
4.4.17	TMH -Test Mode Register HDLC .....	159
4.4.18	CIR0 - Command/Indication Receive 0 .....	160
4.4.19	CIX0 - Command/Indication Transmit 0 .....	161
4.4.20	CIR1 - Command/Indication Receive 1 .....	162

<b>Table of Contents</b>		<b>Page</b>
4.4.21	CIX1 - Command/Indication Transmit 1 .....	162
4.5	Detailed S-Transceiver Registers .....	163
4.5.1	S_CONF0 - S-Transceiver Configuration Register 0 .....	163
4.5.2	S_CONF2 - S-Transmitter Configuration Register 2 .....	164
4.5.3	S_STA - S-Transceiver Status Register .....	165
4.5.4	S_CMD - S-Transceiver Command Register .....	166
4.5.5	SQRR - S/Q-Channel Receive Register .....	167
4.5.6	SQXR- S/Q-Channel Transmit Register .....	167
4.5.7	ISTAS - Interrupt Status Register S-Transceiver .....	168
4.5.8	MASKS - Mask S-Transceiver Interrupt .....	169
4.5.9	S_MODE - S-Transceiver Mode .....	170
4.6	Interrupt and General Configuration Registers .....	171
4.6.1	ISTA - Interrupt Status Register .....	171
4.6.2	MASK - Mask Register .....	172
4.6.3	MODE1 - Mode1 Register .....	173
4.6.4	MODE2 - Mode2 Register .....	174
4.6.5	ID - Identification Register .....	175
4.6.6	SRES - Software Reset Register .....	176
4.7	Detailed IOM <sup>®</sup> -2 Handler Registers .....	176
4.7.1	CDAXy - Controller Data Access Register xy .....	176
4.7.2	XXX_TSDPxy - Time Slot and Data Port Selection for CHxy .....	177
4.7.3	CDAX_CR - Control Register Controller Data Access CH1x .....	178
4.7.4	S_CR - Control Register S-Transceiver Data .....	179
4.7.5	HCI_CR - Control Register for HDLC and CI1 Data .....	180
4.7.6	MON_CR - Control Register Monitor Data .....	182
4.7.7	SDS1_CR - Control Register Serial Data Strobe 1 .....	182
4.7.8	SDS2_CR - Control Register Serial Data Strobe 2 .....	183
4.7.9	IOM_CR - Control Register IOM Data .....	184
4.7.10	MCDA - Monitoring CDA Bits .....	186
4.7.11	STI - Synchronous Transfer Interrupt .....	186
4.7.12	ASTI - Acknowledge Synchronous Transfer Interrupt .....	187
4.7.13	MSTI - Mask Synchronous Transfer Interrupt .....	187
4.8	Detailed MONITOR Handler Registers .....	188
4.8.1	MOR - MONITOR Receive Channel .....	188
4.8.2	MOX - MONITOR Transmit Channel .....	188
4.8.3	MOSR - MONITOR Interrupt Status Register .....	189
4.8.4	MOCR - MONITOR Control Register .....	189
4.8.5	MSTA - MONITOR Status Register .....	190
4.8.6	MCONF - MONITOR Configuration Register .....	191
4.9	Detailed U-Transceiver Registers .....	191
4.9.1	OPMODE - Operation Mode Register .....	191
4.9.2	UCIR - C/I Code Read Register .....	192



<b>Table of Contents</b>		<b>Page</b>
4.9.3	UCIW - C/I Code Write Register .....	192
4.9.4	LOOP - Loopback Register .....	192
4.9.5	RDS - Block Error Counter Register .....	194
4.9.6	ISTAU - Interrupt Status Register U-Interface .....	194
4.9.7	MASKU - Mask Register U-Interface .....	195
4.9.8	FW_VERSION .....	195
<b>5</b>	<b>Electrical Characteristics</b> .....	<b>197</b>
5.1	Absolute Maximum Ratings .....	197
5.2	DC Characteristics .....	198
5.3	Capacitances .....	200
5.4	Power Consumption .....	200
5.5	Supply Voltages .....	200
5.6	AC Characteristics .....	202
5.6.1	IOM <sup>®</sup> -2 Interface .....	203
5.6.2	Serial $\mu$ P Interface .....	205
5.6.3	Parallel $\mu$ P Interface .....	206
5.6.4	Reset .....	209
5.6.5	Undervoltage Detection Characteristics .....	210
<b>6</b>	<b>Package Outlines</b> .....	<b>212</b>
<b>7</b>	<b>Appendix: Differences between Q- and T-SMINT,IX</b> .....	<b>214</b>
7.1	Pinning .....	215
7.1.1	Pin Definitions and Functions .....	215
7.1.2	LED Pin ACT .....	215
7.2	U-Transceiver .....	216
7.2.1	U-Interface Conformity .....	216
7.2.2	U-Transceiver State Machines .....	217
7.2.3	Command/Indication Codes .....	220
7.2.4	Interrupt Structure .....	221
7.2.5	Register Summary U-Transceiver .....	223
7.3	External Circuitry .....	226
<b>8</b>	<b>Index</b> .....	<b>227</b>

<b>List of Figures</b>		<b>Page</b>
Figure 1	Pin Configuration . . . . .	5
Figure 2	Block Diagram . . . . .	6
Figure 3	Application Example T-SMINT <sup>®</sup> IX: Low Cost Intelligent NT . . . . .	13
Figure 4	Control via $\mu$ P Interface . . . . .	14
Figure 5	Control via IOM,-2 Interface . . . . .	15
Figure 6	Serial Control Interface Timing . . . . .	18
Figure 7	Serial Command Structure. . . . .	19
Figure 8	Direct/Indirect Register Address Mode . . . . .	23
Figure 9	Reset Generation of the T-SMINT,IX . . . . .	24
Figure 10	IOM <sup>®</sup> -2 Frame Structure of the T-SMINT,IX . . . . .	27
Figure 11	Architecture of the IOM,-2 Handler . . . . .	29
Figure 12	Data Access via CDAX0 and CDAX1 register pairs . . . . .	31
Figure 13	Examples for Data Access via CDAXy Registers. . . . .	32
Figure 14	Data Access when Looping TSa from DU to DD . . . . .	33
Figure 15	Data Access when Shifting TSa to TSb on DU (DD) . . . . .	34
Figure 16	Example for Monitoring Data . . . . .	35
Figure 17	Interrupt Structure of the Synchronous Data Transfer. . . . .	38
Figure 18	Examples for the Synchronous Transfer Interrupt Control with one STIx <sub>y</sub> enabled 39	
Figure 19	Data Strobe Signal Generation . . . . .	40
Figure 20	MONITOR Channel Protocol (IOM <sup>®</sup> -2) . . . . .	43
Figure 21	Monitor Channel, Transmission Abort requested by the Receiver. . . . .	46
Figure 22	Monitor Channel, Transmission Abort requested by the Transmitter. . . . .	46
Figure 23	Monitor Channel, Normal End of Transmission . . . . .	46
Figure 24	MONITOR Interrupt Structure . . . . .	49
Figure 25	CIC Interrupt Structure. . . . .	50
Figure 26	D-Channel Arbitration: $\mu$ C has no HDLC and no Direct Access to TIC Bus 51	
Figure 27	Structure of Last Octet of Ch2 on DU . . . . .	52
Figure 28	Structure of Last Octet of Ch2 on DD . . . . .	53
Figure 29	State Machine of the D-Channel Arbiter (Simplified View). . . . .	55
Figure 30	Deactivation of the IOM <sup>®</sup> -2 Clocks . . . . .	57
Figure 31	State Diagram Example . . . . .	67
Figure 32	Awake Procedure initiated by the LT . . . . .	68
Figure 33	Awake Procedure initiated by the NT. . . . .	68
Figure 34	NT State Machine (IEC-T/NTC-T Compatible). . . . .	70
Figure 35	Interrupt Structure U-Transceiver . . . . .	77
Figure 36	S/T -Interface Line Code . . . . .	78
Figure 37	Frame Structure at Reference Points S and T (ITU I.430). . . . .	79
Figure 38	S-Transceiver Control . . . . .	82
Figure 39	State Diagram Notation . . . . .	83
Figure 40	State Machine NT Mode . . . . .	86

<b>List of Figures</b>		<b>Page</b>
Figure 41	State Machine LT-S Mode . . . . .	90
Figure 42	Interrupt Structure S-Transceiver. . . . .	94
Figure 43	RFIFO Operation . . . . .	99
Figure 44	Data Reception Procedures. . . . .	101
Figure 45	Reception Sequence Example. . . . .	102
Figure 46	Receive Data Flow. . . . .	103
Figure 47	Data Transmission Procedure . . . . .	108
Figure 48	Transmission Sequence Example . . . . .	109
Figure 49	Transmit Data Flow . . . . .	110
Figure 50	Timer Register . . . . .	112
Figure 51	Interrupt Status Registers of the HDLC Controller. . . . .	113
Figure 52	Layer 2 Test Loops . . . . .	113
Figure 53	Activation Initiated by Exchange . . . . .	118
Figure 54	Activation Initiated by TE . . . . .	119
Figure 55	Activation Initiated by NT . . . . .	120
Figure 56	Complete Deactivation. . . . .	121
Figure 57	Loop 2 . . . . .	122
Figure 58	Test Loopbacks . . . . .	123
Figure 59	External Loop at the S/T-Interface . . . . .	124
Figure 60	Complete Loopback Options in NT-Mode . . . . .	125
Figure 61	Loopbacks Featured by Register LOOP . . . . .	126
Figure 62	Power Supply Blocking . . . . .	127
Figure 63	External Circuitry U-Transceiver with External Hybrid. . . . .	128
Figure 64	External Circuitry S-Interface Transmitter . . . . .	131
Figure 65	External Circuitry S-Interface Receiver . . . . .	131
Figure 66	Crystal Oscillator . . . . .	132
Figure 67	Address Space. . . . .	133
Figure 68	T-SMINT,IX Interrupt Status Registers . . . . .	134
Figure 69	Maximum Sinusoidal Ripple on Supply Voltage . . . . .	201
Figure 70	Input/Output Waveform for AC Tests. . . . .	202
Figure 71	IOM <sup>®</sup> -2 Interface - Bit Synchronization Timing . . . . .	203
Figure 72	IOM <sup>®</sup> -2 Interface - Frame Synchronization Timing . . . . .	203
Figure 73	Serial Control Interface . . . . .	205
Figure 74	Microprocessor Read Cycle. . . . .	206
Figure 75	Microprocessor Write Cycle. . . . .	206
Figure 76	Multiplexed Address Timing. . . . .	206
Figure 77	Non-Multiplexed Address Timing. . . . .	207
Figure 78	Microprocessor Read Timing. . . . .	207
Figure 79	Microprocessor Write Cycle. . . . .	207
Figure 80	Non-Multiplexed Address Timing. . . . .	208
Figure 81	Reset Input Signal . . . . .	209
Figure 82	Undervoltage Control Timing . . . . .	210

---

<b>List of Figures</b>	<b>Page</b>
Figure 83 NTC-Q Compatible State Machine Q-SMINT,IX: 2B1Q.....	217
Figure 84 Simplified State Machine Q-SMINT,IX: 2B1Q .....	218
Figure 85 IEC-T/NTC-T Compatible State Machine T-SMINT,IX: 4B3T .....	219
Figure 86 Interrupt Structure U-Transceiver Q-SMINT,IX: 2B1Q.....	221
Figure 87 Interrupt Structure U-Transceiver T-SMINT,IX: 4B3T .....	222
Figure 88 External Circuitry Q- and T-SMINT,IX .....	226

<b>List of Tables</b>		<b>Page</b>
Table 1	NT Products of the 2nd Generation . . . . .	1
Table 2	Pin Definitions and Functions . . . . .	7
Table 3	ACT States. . . . .	12
Table 4	Interface Selection for the T-SMINT,IX . . . . .	16
Table 5	Header Byte Code . . . . .	19
Table 6	Bus Operation Modes . . . . .	21
Table 7	MCLK Frequencies . . . . .	23
Table 8	Reset Source Selection . . . . .	25
Table 9	Examples for Synchronous Transfer Interrupts . . . . .	37
Table 10	Transmit Direction . . . . .	42
Table 11	Receive Direction. . . . .	42
Table 12	T-SMINT,IX Configuration Settings in Intelligent NT Applications . . . .	54
Table 13	Frame Structure A for Downstream Transmission LT to NT . . . . .	59
Table 14	Frame Structure B for Upstream Transmission NT to LT. . . . .	61
Table 15	MMS 43 Coding Table . . . . .	62
Table 16	4B3T Decoding Table . . . . .	63
Table 17	Active States . . . . .	64
Table 18	C/I Codes. . . . .	65
Table 19	Differences to the former NT-SM of the IEC-T/NTC-T. . . . .	71
Table 20	Timers . . . . .	72
Table 21	M Symbol Output . . . . .	74
Table 22	Signal Output on Uk0 in State Test . . . . .	74
Table 23	C/I-Code Output. . . . .	74
Table 24	S/Q-Bit Position Identification and Multi-Frame Structure . . . . .	80
Table 25	Receive Byte Count with RBC11...0 in the RBCH and RBCL registers 98	98
Table 26	Receive Information at RME Interrupt . . . . .	104
Table 27	XPR Interrupt (availability of the XFIFO) after XTF, XME Commands 106	106
Table 28	Timer . . . . .	111
Table 29	4B3T Signal Elements . . . . .	115
Table 30	Generation of the 4B3T Signal Elements. . . . .	116
Table 31	S/T-Interface Signals . . . . .	117
Table 32	U-Transformer Parameters . . . . .	128
Table 33	S-Transformer Parameters . . . . .	130
Table 34	Crystal Parameters . . . . .	132
Table 35	Reset of U-Transceiver Functions During Deactivation or with C/I- Code RESET 144	
Table 36	Mode Register with Immediate Evaluation and Execution. . . . .	144
Table 37	Maximum Input Currents . . . . .	197
Table 38	S-Transceiver Characteristics . . . . .	198
Table 39	U-Transceiver Characteristics . . . . .	199
Table 40	Pin Capacitances. . . . .	200
Table 41	Reset Input Signal Characteristics. . . . .	209

---

<b>List of Tables</b>		<b>Page</b>
Table 42	Parameters of the UVD/POR Circuit .....	210
Table 43	Design Number .....	214
Table 45	ACT States .....	215

# 1 Overview

The **PEB 81902** (T-SMINT<sup>®</sup>IX) offers many features in addition to the PEB 8090 [9] which ease the realization of an intelligent NT.

The T-SMINT<sup>®</sup>IX features U-transceiver, S-transceiver, HDLC controller and an IOM<sup>®</sup>-2 interface on a single chip. A microcontroller interface provides access to both transceivers, the HDLC controller as well as to the IOM<sup>®</sup>-2 interface.

Main target applications of the T-SMINT<sup>®</sup>IX are intelligent NT applications which require one single HDLC controller.

**Table 1** on **Page 1** summarizes the 2nd generation NT products.

**Table 1 NT Products of the 2nd Generation**

	<b>PEF 80902</b>	<b>PEF 81902</b>	<b>PEF 82902</b>
	<b>T-SMINT<sup>®</sup>O</b>	<b>T-SMINT<sup>®</sup>IX</b>	<b>T-SMINT<sup>®</sup>I</b>
Package	P-MQFP-44	P-MQFP-64 P-TQFP-64	P-MQFP-64 P-TQFP-64
Register access	no	U+S+HDLC+ IOM <sup>®</sup> -2	U+S+IOM <sup>®</sup> -2
Access via	n.a	parallel (or SCI or IOM <sup>®</sup> -2)	parallel (or SCI or IOM <sup>®</sup> -2)
MCLK, watchdog timer, SDS, BCL, D-channel arbitration, IOM <sup>®</sup> -2 access and manipulation etc. provided	no	yes	yes
HDLC controller	no	yes	no
NT1 mode available	yes (only)	no	no

## 1.1 References

- [1] TS 102 080, Transmission and Multiplexing; ISDN basic rate access; Digital transmission system on metallic local lines, ETSI, November 1998
- [2] FTZ 1 TR 220 Technische Richtlinie, Spezifikation der ISDN Schnittstelle Uk0 Schicht 1, Deutsche Telecom AG, August 1991
- [3] TS 0284/96 Technische Spezifikation Intelligenter Netzabschluß (iNT) mit den Funktionen eines Terminaladapters TA 2a/b (ohne Internverkehr), Deutsche Telekom AG, März 2001
- [4] pr ETS 300 012 Draft, ISDN; Basic User Network Interface (UNI), ETSI, November 1996
- [5] T1.605-1991, ISDN-Basic Access Interface for S and T Reference Points (Layer 1 Specification), ANSI, 1991
- [6] I.430, ISDN User-Network Interfaces: Layer 1 Recommendations, ITU, November 1988
- [7] IEC-T, ISDN Echocancellation Circuit, PEB 20901 (IEC - TD) / PEB 20902 (IEC - TA), preliminary Target Specification 11.88, Siemens AG, 1988
- [8] SBCX, S/T Bus Interface Circuit Extended, PEB 2081 V3.4, User's Manual 11.96, Siemens AG, 1996
- [9] NTC-T, Network Termination Controller (4B3T), PEB 8090 V1.1, Data Sheet 06.98, Siemens AG, 1998
- [10] INTC-Q, Intelligent Network Termination Controller (2B1Q), PEB 8191 V1.1, Data Sheet 10.97, Siemens AG, 1997
- [11] Q-SMINTO, 2B1Q Second Gen. Modular ISDN NT (Ordinary), PEF 80912  
Q-SMINTIX, 2B1Q Second Gen. Modular ISDN NT (Intelligent eXtended), PEF 81912  
Q-SMINTI, 2B1Q Second Gen. Modular ISDN NT (Intelligent), PEF 82912 V1.3, Data Sheets 03.01, Infineon AG, 2001
- [12] IOM<sup>®</sup>-2 Interface Reference Guide, Siemens AG, 03.91
- [13] SCOUT-S(X), Siemens Codec with S/T-Transceiver, PSB 2138x V1.1, Preliminary Data Sheet 08.98, Infineon Technologies AG, 1999
- [14] PITA, PCI Interface for Telephony/Data Applications V0.3, SICAN GmbH, September 1997
- [15] Dual Channel SLICOFI-2, HV-SLIC; DUSLIC; PEB3265, 4265, 4266; Data Sheet DS2, Infineon Technologies, July 2000.



**4B3T Second Gen. Modular ISDN NT (Intelligent eXtended) T-SMINT<sup>®</sup>IX**

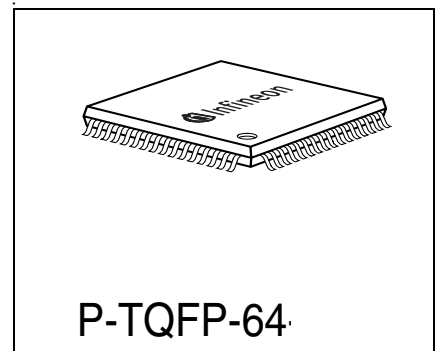
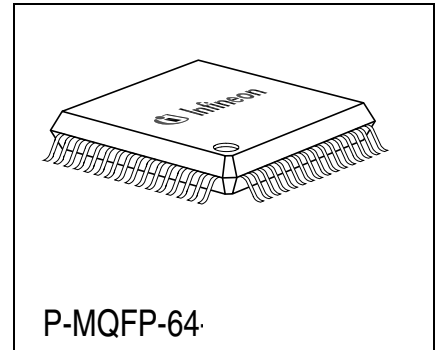
**PEF 81902**

**Version 1.1**

**1.2 Features**

**Features known from the PEB 8090**

- U-transceiver and S-transceiver on one chip
- U-interface (4B3T) conform to ETSI [1] and FTZ [2] :
  - Meets all transmission requirements on all ETSI and FTZ loops with margin
- S/T-interface conform to ETSI [4], ANSI [5] and ITU [6]
  - Supports point-to-point and bus configurations
  - Meets and exceeds all transmission requirements
- Access to IOM<sup>®</sup>-2 C/I and Monitor channels
- Power-on reset and Undervoltage Detection with no external components
- ESD robustness 2kV



**New Features**

- Conforms to 'Technische Spezifikation Intelligenter Netzabschluß (iNT) mit den Funktionen eines Terminaladapters TA 2a/b' of Deutsche Telekom AG [3]
- Perfectly suited for low cost intelligent NTs that require one single HDLC controller
- Pin compatible with Q-SMINT<sup>®</sup>IX (2nd Generation)
- HDLC controller on chip, including
  - HDLC access to B-channels, D-channel and any combination of them.
  - Improved FIFO structure
  - HDLC extended transparent mode
  - Automatic D-channel arbitration between S-bus and local HDLC controller
- Parallel or serial  $\mu$ P-interface
  - Siemens/Intel non-multiplexed (direct or indirect addressing)

Type	Package
PEF 81902	P-MQFP-64
PEF 81902	P-TQFP-64

- Siemens/Intel multiplexed
- Motorola
- programmable MCLK (can be disabled)
- Enhanced IOM<sup>®</sup>-2 interface
  - Timeslot access and manipulation
  - BCL output; programmable and flexible strobes SDS1/2, e.g. active during several timeslots.
  - Optional: All registers can be read and written to via new Monitor channel concept
  - External Awake ( $\overline{EAW}$ )
- Optional use of transformers with non-negligible resistance corresponding to up to 20Ω on the line side
- Optional: Implementation of S-transceiver state machine in software
- Power-down mode and reset states (e.g. S-transceiver) for individual circuits
- Pin Vref and the according external capacitor removed
- Inputs accept 3.3V and 5V
- I/O (open drain) accepts pull-up to 3.3V<sup>1)</sup>
- LED signal is programmable to display the states specified in [3]; but can also automatically indicate the activation status (mode select via 1 bit).
- Lowest power consumption due to
  - Low power CMOS technology (0.35μ)
  - Newly optimized low power libraries
  - High output swing on U- and S-line interface leads to minimized power consumption
  - Single 3.3 Volt power supply

### 1.3 Not Supported are ...

- No integrated hybrid is provided by the T-SMINT<sup>®</sup>IX. Therefore, an external hybrid is always required, which consists of only two additional resistors as compared to an integrated hybrid, but allows for more flexibility in board design.
- Auxiliary IOM<sup>®</sup>-2 interface
- SRA (capacitive receiver coupling is not suited for S-feeding)
- NT-Star with star point on the IOM<sup>®</sup>-2 bus (already not supported in NTC-T).
- HDLC Automode
- No access to S2-5 channels. Access only to S1 and Q channel as in Scout-S. No selection between transparent and non-auto mode provided.

<sup>1)</sup> Pull-ups to 5V must be avoided. A so-called 'hot-electron-effect' would lead to long term degradation.

### 1.4 Pin Configuration

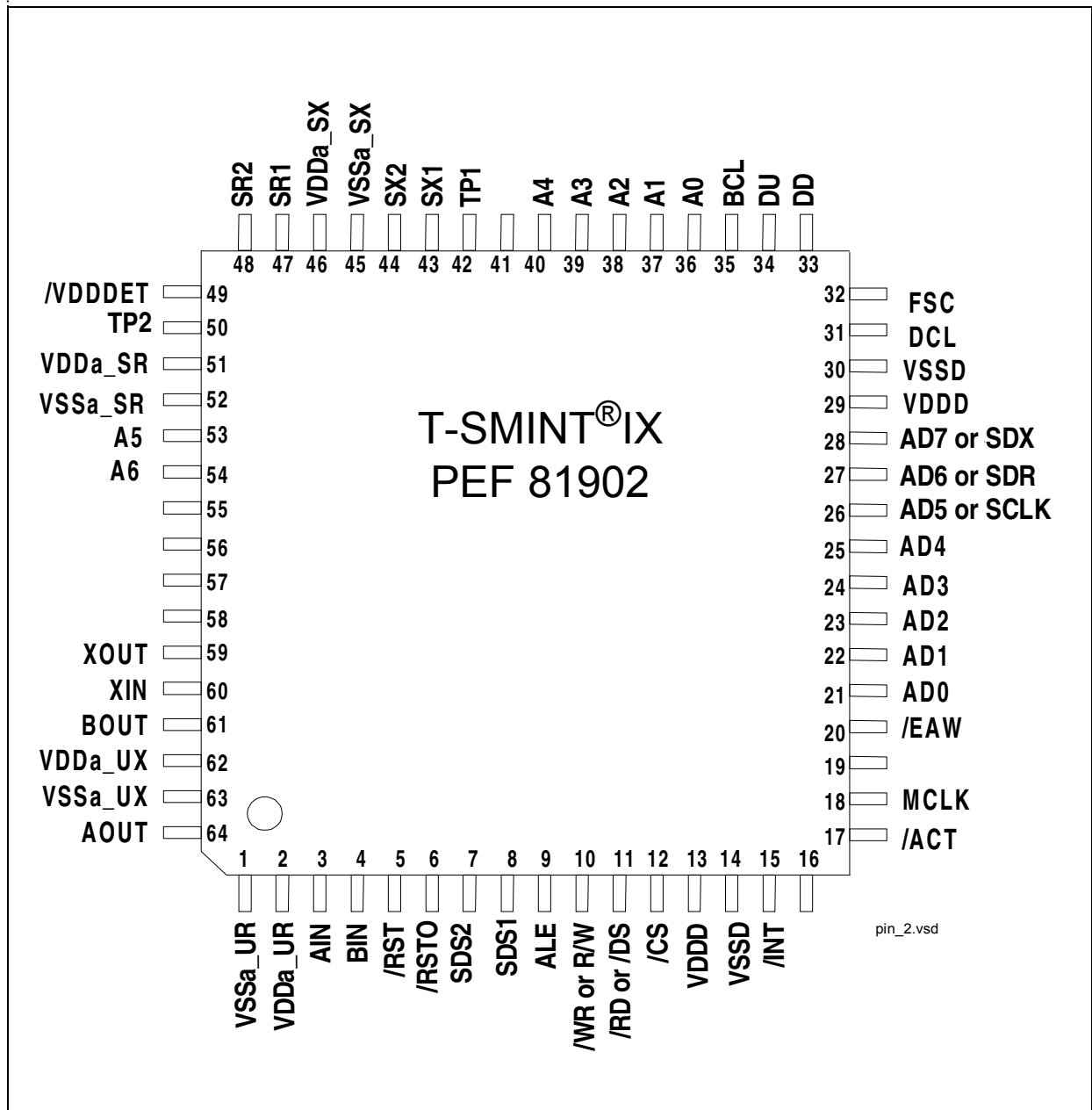


Figure 1 Pin Configuration

### 1.5 Block Diagram

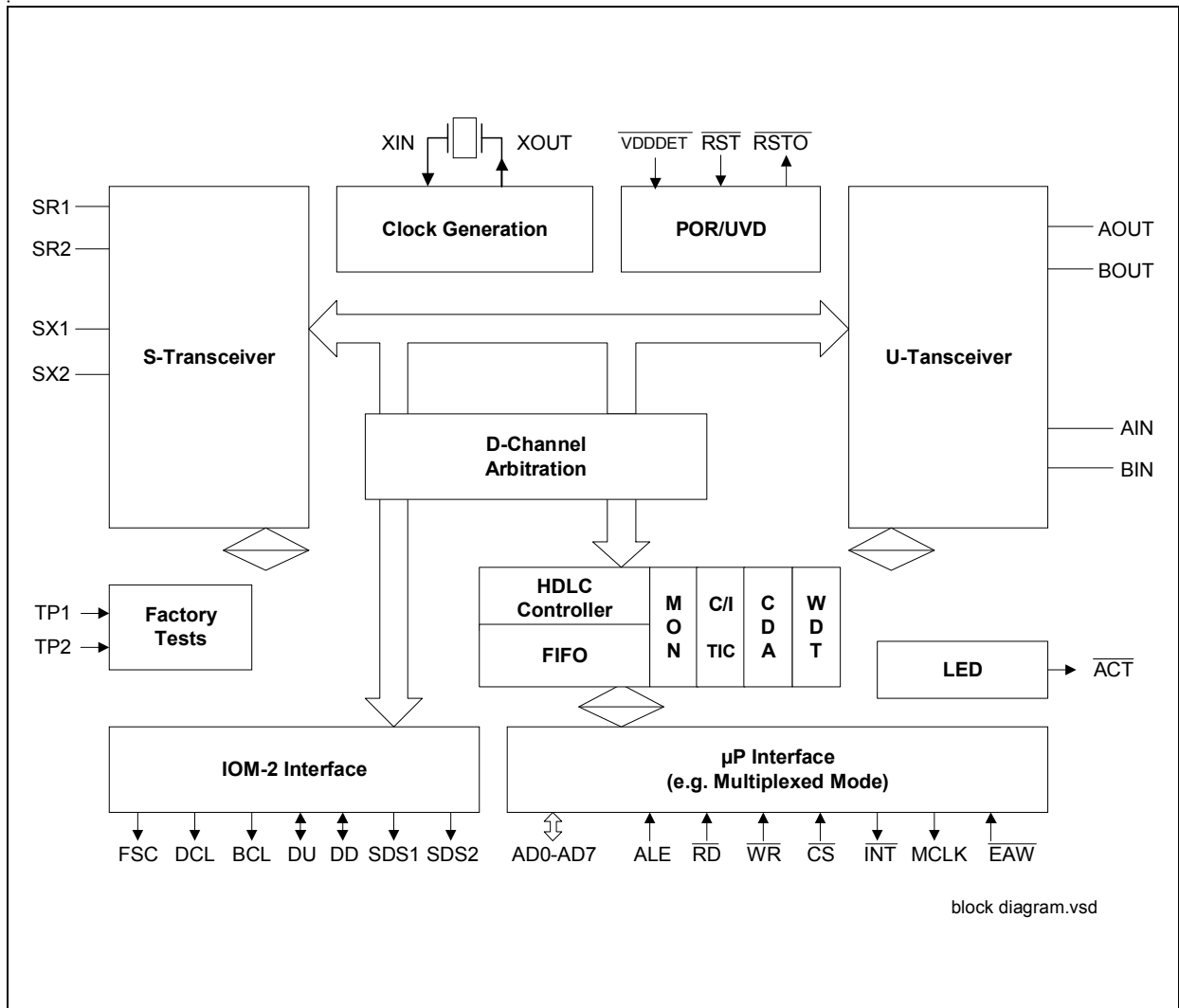


Figure 2 Block Diagram

## 1.6 Pin Definitions and Functions

**Table 2 Pin Definitions and Functions**

Pin	Symbol	Type	Function
2	VDDa_UR	–	Supply voltage for U-Receiver (3.3 V ± 5 %)
1	VSSa_UR	–	Analog ground (0 V) U-Receiver
62	VDDa_UX	–	Supply voltage for U-Transmitter (3.3 V ± 5 %)
63	VSSa_UX	–	Analog ground (0 V) U-Transmitter
51	VDDa_SR	–	Supply voltage for S-Receiver (3.3 V ± 5 %)
52	VSSa_SR	–	Analog ground (0 V) S-Receiver
46	VDDa_SX	–	Supply voltage for S-Transmitter (3.3 V ± 5 %)
45	VSSa_SX	–	Analog ground (0 V) S-Transmitter
29	VDDD	–	Supply voltage digital circuits (3.3 V ± 5 %)
30	VSSD	–	Ground (0 V) digital circuits
13	VDDD	–	Supply voltage digital circuits (3.3 V ± 5 %)
14	VSSD	–	Ground (0 V) digital circuits
32	FSC	O	<b>Frame Sync:</b> 8-kHz frame synchronization signal
31	DCL	O	<b>Data Clock:</b> IOM <sup>®</sup> -2 interface clock signal (double clock): 1.536 MHz
35	BCL	O	<b>Bit Clock:</b> The bit clock is identical to the IOM <sup>®</sup> -2 data rate (768 kHz)
33	DD	I/O OD	<b>Data Downstream:</b> Data on the IOM <sup>®</sup> -2 interface
34	DU	I/O OD	<b>Data Upstream:</b> Data on the IOM <sup>®</sup> -2 interface

**Table 2 Pin Definitions and Functions (cont'd)**

Pin	Symbol	Type	Function
8	SDS1	O	<b>Serial Data Strobe1:</b> Programmable strobe signal for time slot and/or D-channel indication on IOM <sup>®</sup> -2
7	SDS2	O	<b>Serial Data Strobe2:</b> Programmable strobe signal for time slot and/or D-channel indication on IOM <sup>®</sup> -2
12	$\overline{\text{CS}}$	I	<b>Chip Select:</b> A low level indicates a microcontroller access to the T-SMINT <sup>®</sup> IX
26	SCLK	I	<b>Serial Clock:</b> Clock signal of the SCI interface if a serial interface is selected
26	AD5	I/O	<b>Multiplexed Bus Mode:</b> <b>Address/data bus</b> Address/data line AD5 if the parallel interface is selected <b>Non-Multiplexed Bus Mode:</b> <b>Data bus</b> Data line D5 if the parallel interface is selected
27	SDR	I	<b>Serial Data Receive:</b> Receive data line of the SCI interface if a serial interface is selected
27	AD6	I/O	<b>Multiplexed Bus Mode:</b> <b>Address/data bus</b> Address/data line AD6 if the parallel interface is selected <b>Non-Multiplexed Bus Mode:</b> <b>Data bus</b> Data line D6 if the parallel interface is selected

**Table 2 Pin Definitions and Functions (cont'd)**

	Pin	Symbol	Type	Function
	28	SDX	OD/O	<b>Serial Data Transmit:</b> Transmit data line of the SCI interface if a serial interface is selected
	28	AD7	I/O	<b>Multiplexed Bus Mode:</b> <b>Address/data bus</b> Address/data line AD7 if the parallel interface is selected <b>Non-Multiplexed Bus Mode:</b> <b>Data bus</b> Data line D7 if the parallel interface is selected
	21 22 23 24 25	AD0 AD1 AD2 AD3 AD4	I/O I/O I/O I/O I/O	<b>Multiplexed Bus Mode:</b> <b>Address/data bus</b> Transfers addresses from the microcontroller to the T-SMINT <sup>®</sup> IX and data between the microcontroller and the T-SMINT <sup>®</sup> IX. <b>Non-Multiplexed Bus Mode:</b> <b>Data bus.</b> Transfers data between the microcontroller and the T-SMINT <sup>®</sup> IX (data lines D0-D4).
	36 37 38 39 40 53 54	A0 A1 A2 A3 A4 A5 A6	I I I I I I I	<b>Non-Multiplexed Bus Mode:</b> Address bus transfers addresses from the microcontroller to the T-SMINT <sup>®</sup> IX. For indirect address mode only A0 is valid. <b>Multiplexed Bus Mode</b> Not used in multiplexed bus mode. In this case A0-A6 should directly be connected to VDD.
	11	$\overline{\text{RD}}$  $\overline{\text{DS}}$	I  I	<b>Read</b> Indicates a read access to the registers (Intel bus mode). <b>Data Strobe</b> The rising edge marks the end of a valid read or write operation (Motorola bus mode).

**Table 2 Pin Definitions and Functions (cont'd)**

	Pin	Symbol	Type	Function
	10	$\overline{WR}$  $R/\overline{W}$	I  I	<b>Write</b> Indicates a write access to the registers (Intel bus mode). <b>Read/Write</b> A HIGH identifies a valid host access as a read operation and a LOW identifies a valid host access as a write operation (Motorola bus mode).
	9	ALE	I	<b>Address Latch Enable</b> An address on the external address/data bus (multiplexed bus type only) is latched with the falling edge of ALE. ALE also selects the microcontroller interface type (multiplexed or non multiplexed).
	5	$\overline{RST}$	I	<b>Reset:</b> Low active reset input. Schmitt-Trigger input with hysteresis of typical 360mV. Tie to '1' if not used.
	6	$\overline{RSTO}$	OD	<b>Reset Output:</b> Low active reset output.
	15	$\overline{INT}$	OD	<b>Interrupt Request:</b> $\overline{INT}$ becomes active if the T-SMINT <sup>®</sup> IX requests an interrupt.
	18	MCLK	O	<b>Microcontroller Clock:</b> Clock output for the microcontroller
	20	$\overline{EAW}$	I	<b>External Awake:</b> A low level on $\overline{EAW}$ during power down activates the clock generation of the T-SMINT <sup>®</sup> IX, i.e. the IOM <sup>®</sup> -2 interface provides FSC, DCL and BCL for read and write access. <sup>1)</sup>
	43	SX1	O	<b>S-Bus Transmitter Output (positive)</b>
	44	SX2	O	<b>S-Bus Transmitter Output (negative)</b>
	47	SR1	I	<b>S-Bus Receiver Input</b>



**Table 2 Pin Definitions and Functions (cont'd)**

Pin	Symbol	Type	Function
48	SR2	I	<b>S-Bus Receiver Input</b>
60	XIN	I	<b>Crystal 1:</b> Connected to a 15.36 MHz crystal
59	XOUT	O	<b>Crystal 2:</b> Connected to a 15.36 MHz crystal
64	AOUT	O	<b>Differential U-interface Output</b>
61	BOUT	O	<b>Differential U-interface Output</b>
3	AIN	I	<b>Differential U-interface Input</b>
4	BIN	I	<b>Differential U-interface Input</b>
49	$\overline{\text{VDDDET}}$	I	<b>VDD Detection:</b> This pin selects if the $V_{DD}$ detection is active ('0') and reset pulses are generated on pin $\overline{\text{RSTO}}$ or whether it is deactivated ('1') and an external reset has to be applied on pin $\overline{\text{RST}}$ .
17	$\overline{\text{ACT}}$	O	<b>Activation LED.</b> Indicates the activation status of U- and S-transceiver. Can directly drive a LED (4mA).
42	TP1	I	<b>Test Pin 1.</b> Used for factory device test. Tie to 'V <sub>SS</sub> '
50	TP2	I	<b>Test Pin 2.</b> Used for factory device test. Tie to 'V <sub>SS</sub> '
16, 19, 41, 55			Tie to '1'
56, 57, 58	res		<b>Reserved</b> These pins are reserved for future use. Do not connect.

<sup>1)</sup> This function of pin  $\overline{\text{EAW}}$  is different to that defined in Ref. [13]

I: Input

O: Output (Push-Pull)

OD: Output (Open Drain)

### 1.6.1 Specific Pins and Test Modes

#### LED Pin $\overline{\text{ACT}}$

A LED can be connected to pin  $\overline{\text{ACT}}$  to display four different states (off, slow flashing, fast flashing, on). It displays the activation status of the U- and S-transceiver according to [Table 3](#). or it is programmable via two bits (LED1 and LED2 in register MODE2).

**Table 3** ACT States

Pin $\overline{\text{ACT}}$	LED	U_Deactivated	U_Activated	S_Activated
V <sub>DD</sub>	OFF	1	x	x
2Hz (1 : 1)*	fast flashing	0	0	x
1Hz (3 : 1)*	slow flashing	0	1	0
GND	ON	0	1	1

Note: \* denotes the duty cycle 'high' : 'low'.

with:

**U\_Deactivated:** 'Deactivated State' as defined in [Chapter 2.4.7.6](#).

**U\_Activated:** 'SBC Synchronizing', 'Wait for Info U4H', and 'Transparent' as defined in [Chapter 2.4.7.6](#).

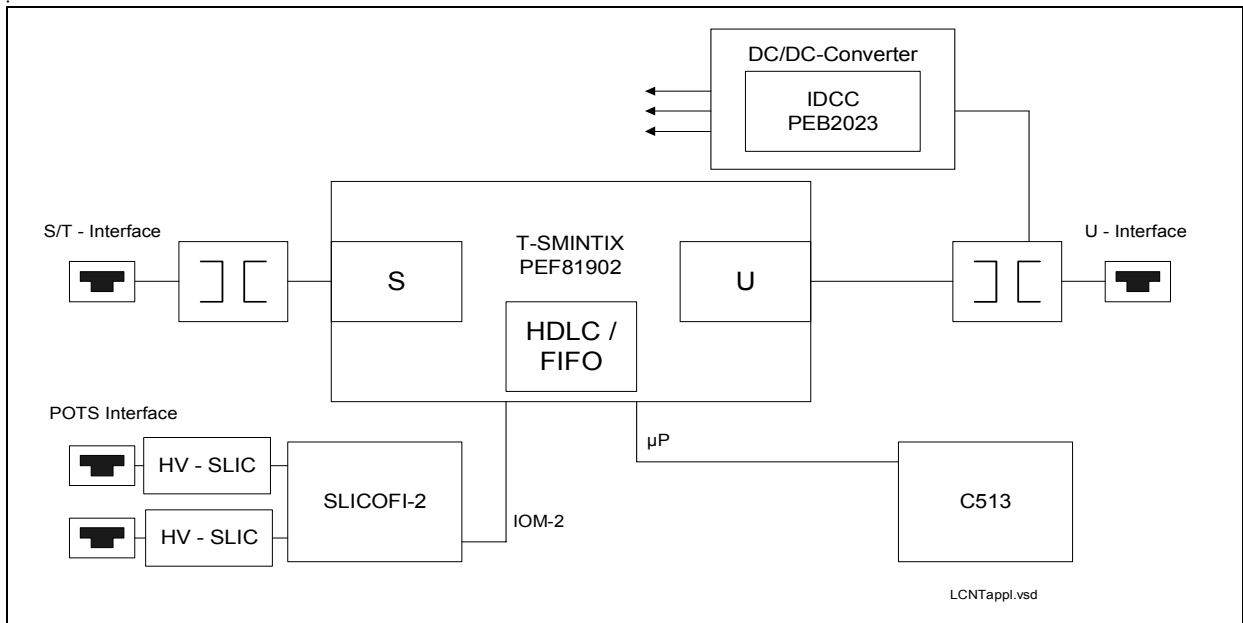
**S-Activated:** 'Activated State' as defined in [Chapter 2.5.5.2](#).

Note: Optionally, pin  $\overline{\text{ACT}}$  can drive a second LED with inverse polarity (connect this additional LED to 3.3V only).

#### Test Modes

The test patterns on the S-interface ('2 kHz Single Pulses', '96 kHz Continuous Pulses') and on the U-interface ('Data Through', 'Send Single Pulses',) are invoked via C/I codes (TM1, TM2, DT, SSP). Setting SRES.RES\_U to '1' forces the U-transceiver into test mode 'Quiet Mode' (QM), i.e. the U-transceiver is hardware reset.

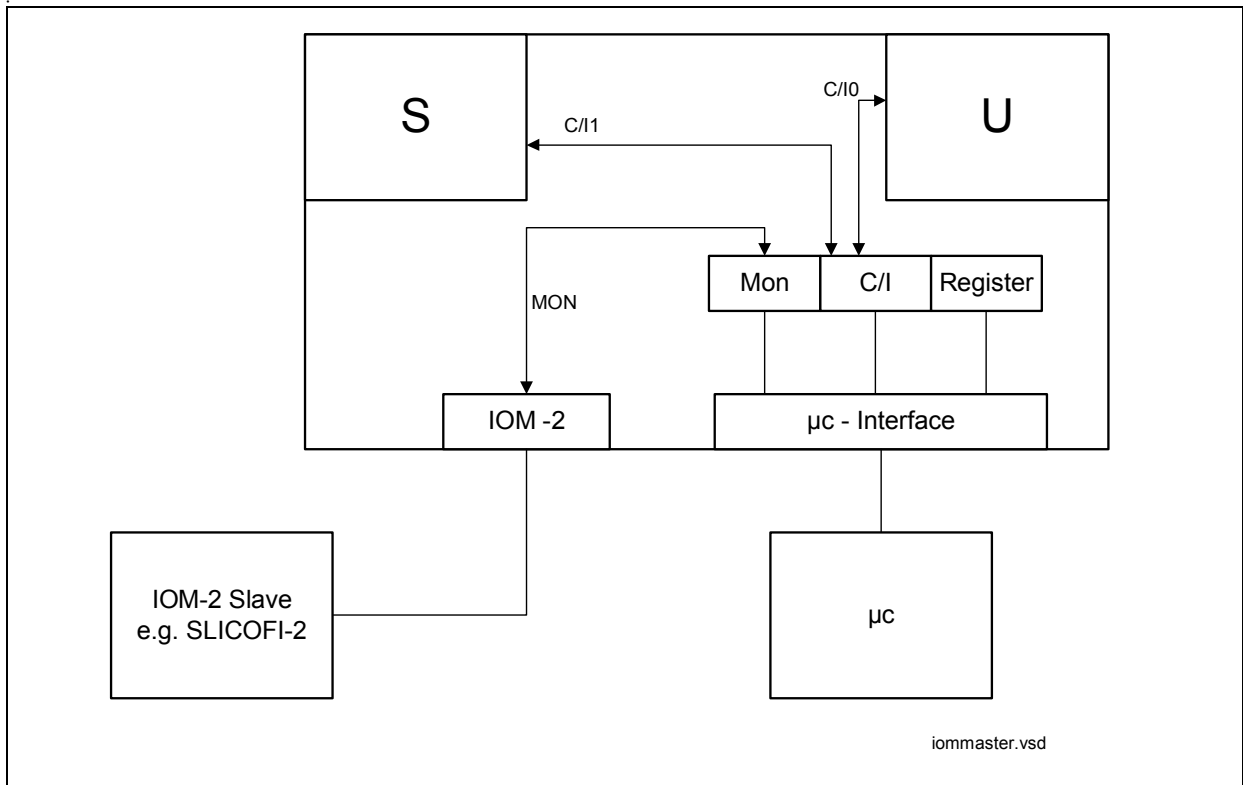
## 1.7 System Integration



**Figure 3 Application Example T-SMINT<sup>®</sup>IX: Low Cost Intelligent NT**

The U-transceiver, the S-transceiver, the IOM<sup>®</sup>-2 channels and the HDLC-controller can be controlled and monitored via:

- a) the parallel or serial microprocessor interface
  - Access of on-chip registers via  $\mu$ P interface Address/Data format
  - Activation/Deactivation control of U- and S-transceiver via  $\mu$ P interface and C/I handler
  - T-SMINT<sup>®</sup>IX is Monitor channel master
  - TIC bus is transparent on IOM<sup>®</sup>-2 interface and is used for D-channel arbitration between S-transceiver and on-chip HDLC controller.



**Figure 4 Control via µP Interface**

Alternatively, the T-SMINT<sup>®</sup>IX can be controlled via

b) the IOM<sup>®</sup>-2 Interface

- Access of on-chip registers via the Monitor channel with Header/Address/Data format (Device is Monitor slave)
- Activation/Deactivation control of U- and S-transceiver via the C/I channels CI0 and CI1
- TIC bus is transparent on IOM<sup>®</sup>-2 interface and is used for D-channel arbitration between S-transceiver and on-chip HDLC controller.

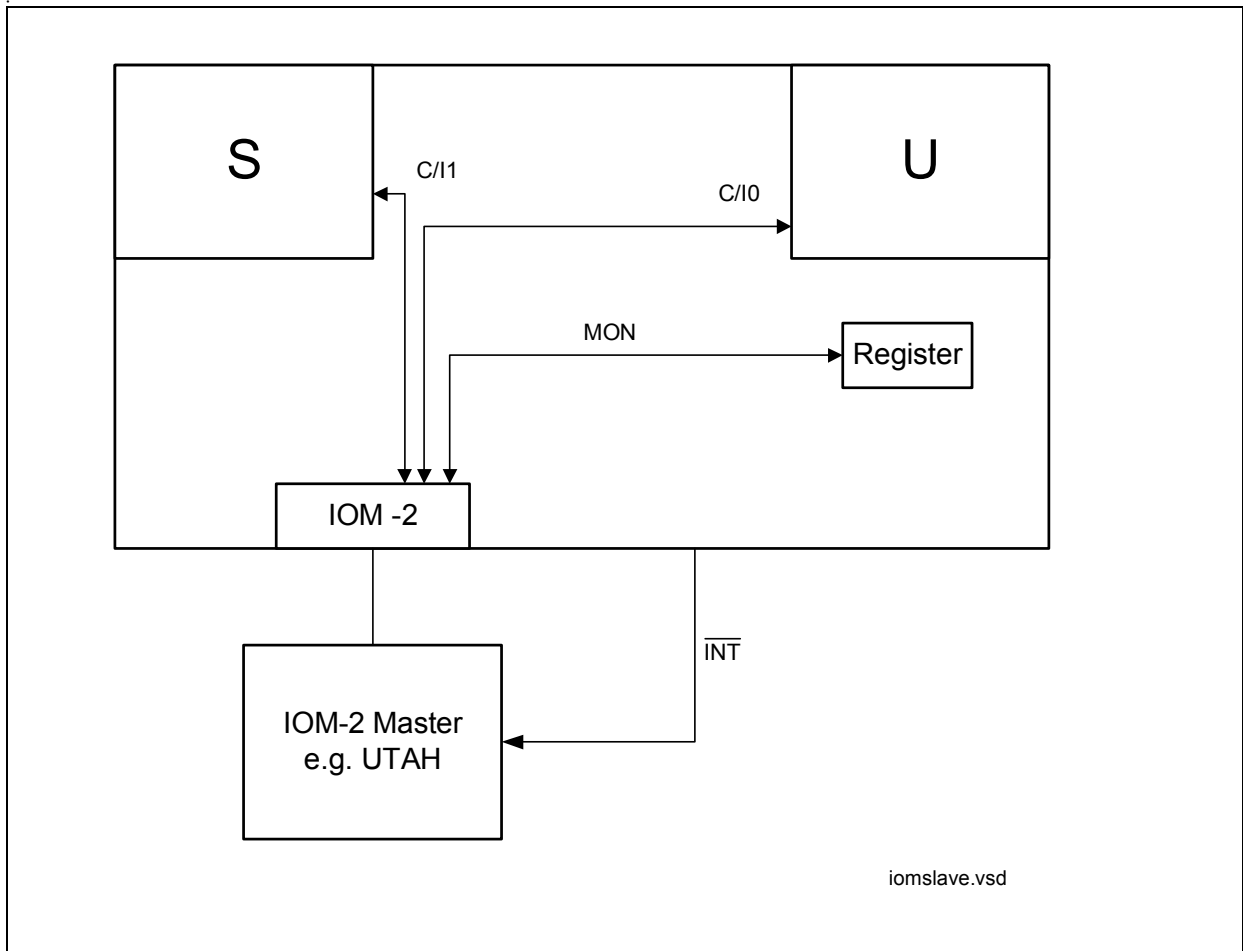


Figure 5 Control via IOM<sup>®</sup>-2 Interface

## 2 Functional Description

### 2.1 Microcontroller Interfaces

The T-SMINT<sup>®</sup>IX supports either a serial or a parallel microcontroller interface. For applications where no controller is connected to the T-SMINT<sup>®</sup>IX microcontroller interface, register programming is done via the IOM<sup>®</sup>-2 MONITOR channel from a master device. In such applications the T-SMINT<sup>®</sup>IX operates in the IOM<sup>®</sup>-2 slave mode (refer to the corresponding chapter of the IOM<sup>®</sup>-2 MONITOR handler).

The interface selections are all done by pinstrapping. The possible interface selections are listed in **Table 4**. The selection pins are evaluated when the reset input  $\overline{RST}$  is released. For the pin levels stated in the tables the following is defined:

'High':dynamic pin value which must be 'High' when the pin level is evaluated

$V_{DD}$ ,  $V_{SS}$ :static 'High' or 'Low' level (tied to  $V_{DD}$ ,  $V_{SS}$ )

**Table 4 Interface Selection for the T-SMINT<sup>®</sup>IX**

PINS		Serial/Parallel Interface	PINS		Interface Type/Mode
WR (R/W)	RD (DS)		CS	ALE	
'High'	'High'	Parallel	'High'	$V_{DD}$	Motorola
				$V_{SS}$	Siemens/Intel Non-Mux
				edge	Siemens/Intel Mux
$V_{SS}$	$V_{SS}$	Serial	'High'	$V_{SS}$	Serial Control Interface(SCI)
			$V_{SS}$	$V_{SS}$	IOM <sup>®</sup> -2 MONITOR Channel (Slave Mode)

Note: For a selected interface mode which does not require all pins (e.g. address pins) the unused pins must be tied to  $V_{DD}$ .

The microcontroller interface also consists of a microcontroller clock generation at pin  $\overline{MCLK}$ , an interrupt request at pin  $\overline{INT}$ , a reset input pin  $\overline{RST}$  and a reset output pin  $\overline{RSTO}$ .

The interrupt request pin  $\overline{INT}$  (open drain output) becomes active if the T-SMINT<sup>®</sup>IX requests an interrupt.

#### 2.1.1 Serial Control Interface (SCI)

The serial control interface (SCI) is compatible to the SPI interface of Motorola and to the Siemens C510 family of microcontrollers.

The SCI consists of 4 lines: SCLK, SDX, SDR and  $\overline{CS}$ . Data is transferred via the lines SDR and SDX at the rate given by SCLK. The falling edge of  $\overline{CS}$  indicates the beginning

---

## Functional Description

of a serial access to the registers. The T-SMINT<sup>®</sup>IX latches incoming data at the rising edge of SCLK and shifts out at the falling edge of SCLK. Each access must be terminated by a rising edge of  $\overline{CS}$ . Data is transferred in groups of 8 bits with the MSB first.

Pad mode of SDX can be selected 'open drain' or 'push-pull' by programming MODE2.PPSDX.

**Figure 6** shows the timing of a one byte read/write access via the serial control interface.

Functional Description

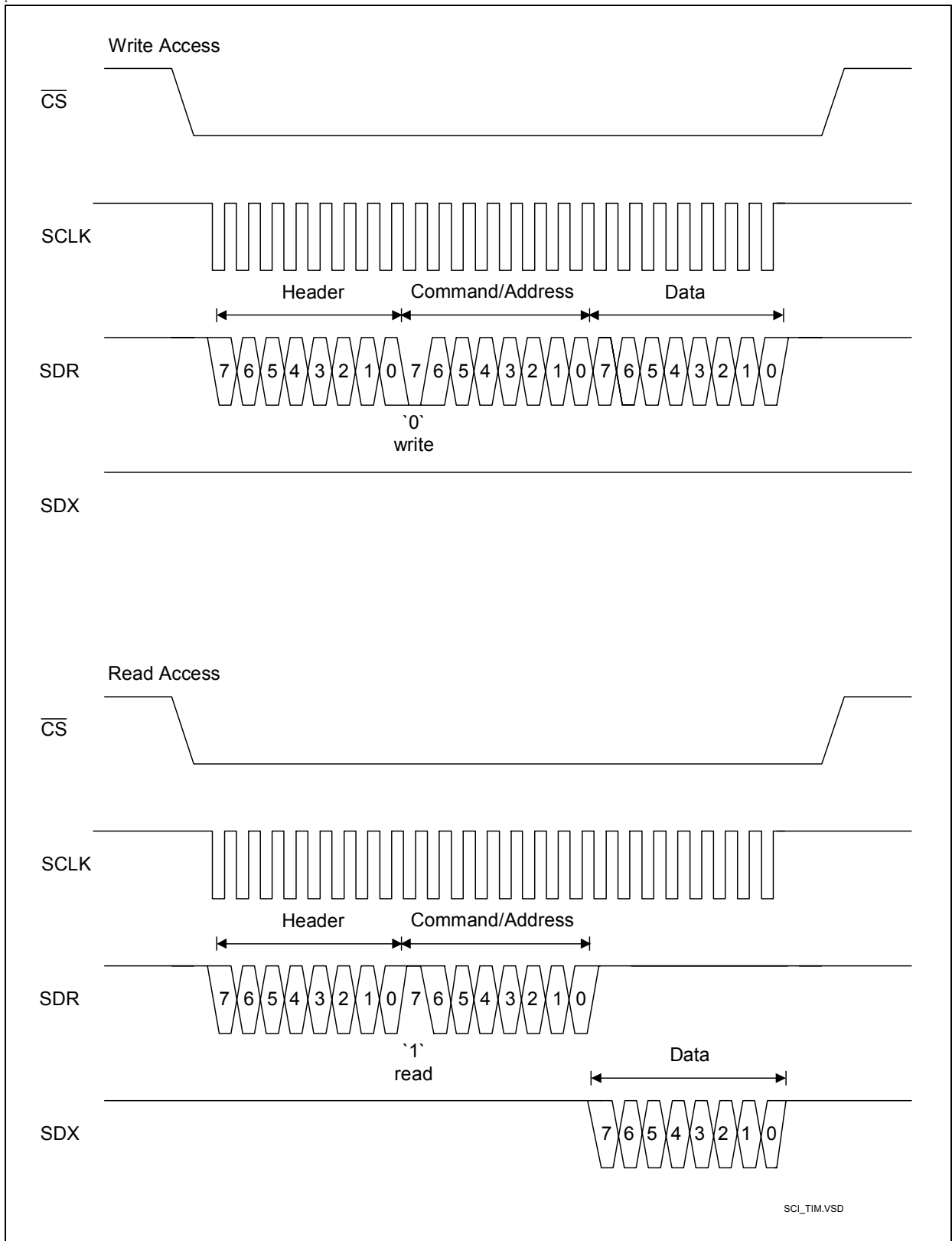
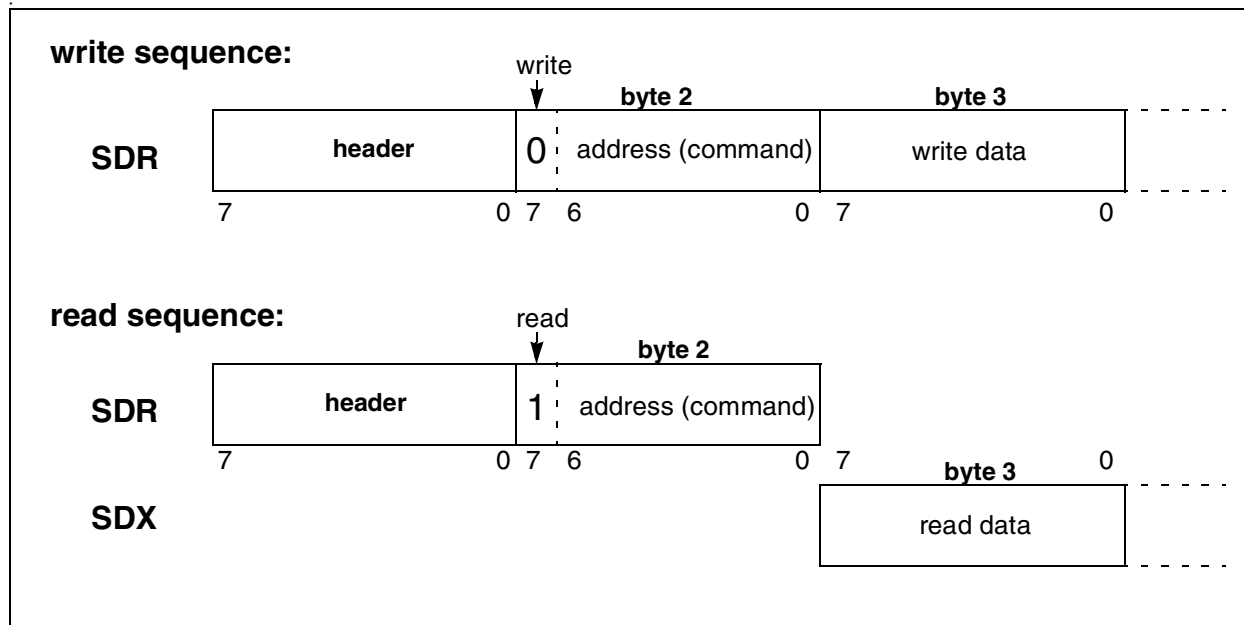


Figure 6 Serial Control Interface Timing



### 2.1.1.1 Programming Sequences

The basic structure of a read/write access to the T-SMINT<sup>®</sup>IX registers via the serial control interface is shown in [Figure 7](#).



**Figure 7 Serial Command Structure**

A new programming sequence starts with the transfer of a header byte. The header byte specifies different programming sequences allowing a flexible and optimized access to the individual functional blocks of the T-SMINT<sup>®</sup>IX.

The possible sequences are listed in [Table 5](#) and are described after that.

**Table 5 Header Byte Code**

Header Byte	Sequence	Sequence Type	Access to
40 <sub>H</sub>	Adr-Data-Adr-Data	non-interleaved	Address Range 00 <sub>H</sub> -7F <sub>H</sub>
48 <sub>H</sub>		interleaved	
43 <sub>H</sub>	Adr-Data-Data-Data	Read-/Write-only	Address Range 00 <sub>H</sub> -7F <sub>H</sub>
41 <sub>H</sub>		non-interleaved	
49 <sub>H</sub>		interleaved	

#### Header 40<sub>H</sub>: Non-interleaved A-D-A-D Sequences

The non-interleaved A-D-A-D sequences give direct read/write access to the address range 00<sub>H</sub>-7F<sub>H</sub> and can have any length. In this mode SDX and SDR can be connected

**Functional Description**

together allowing data transmission on one line.  
 Example for a read/write access with header 40<sub>H</sub>:

SDR	header	wradr	wrdata	rdadr		rdadr		wradr	wrdata	
SDX					rddata		rddata			

**Header 48<sub>H</sub>: Interleaved A-D-A-D Sequences**

The interleaved A-D-A-D sequences give direct read/write access to the address range 00<sub>H</sub>-7F<sub>H</sub> and can have any length. This mode allows a time optimized access to the registers by interleaving the data on SDX and SDR.

Example for a read/write access with header 48<sub>H</sub>:

SDR	header	wradr	wrdata	rdadr	rdadr	wradr	wrdata			
SDX					rddata	rddata				

**Header 43<sub>H</sub>: Read-/Write- only A-D-D-D Sequence**

This mode (header 43<sub>H</sub>) can be used for a fast access to the HDLC FIFO data. Any address (rdadr, wradr) in the range between 00<sub>H</sub>-1F<sub>H</sub> gives access to the current FIFO location selected by an internal pointer which is automatically incremented with every data byte following the first address byte. Generally, it can be used for any register access to the address range 00<sub>H</sub>-7D<sub>H</sub>. The sequence can have any length and is terminated by the rising edge of  $\overline{CS}$ .

Example for a write access with header 43<sub>H</sub>:

SDR	header	wradr	wrdata (wradr)	wrdata (wradr)	wrdata (wradr)	wrdata (wradr)	wrdata (wradr)	wrdata (wradr)	wrdata (wradr)	
SDX										

Example for a read access with header 43<sub>H</sub>:

SDR	header	rdadr								
SDX			rddata (rdadr)	rddata (rdadr)	rddata (rdadr)	rddata (rdadr)	rddata (rdadr)	rddata (rdadr)	rddata (rdadr)	

**Header 41<sub>H</sub>: Non-interleaved A-D-D-D Sequence**

This sequence (header 41<sub>H</sub>) allows in front of the A-D-D-D write access a non-interleaved A-D-A-D read access. This mode is useful for reading status information before writing to the HDLC XFIFO. Generally, it can be used for any register access to

**Functional Description**

the address range  $00_H-7D_H$ . The termination condition of the read access is the reception of  $\overline{wrdr}$ . The sequence can have any length and is terminated by the rising edge of  $\overline{CS}$ .

Example for a read/write access with header  $41_H$ :

SDR	header	rdadr		rdadr		wrdr	wrdata (wradr)	wrdata (wradr)	wrdata (wradr)	
SDX			rddata		rddata					

**Header  $49_H$ : Interleaved A-D-D-D Sequence**

This sequence (header  $49_H$ ) allows in front of the A-D-D-D write access an interleaved A-D-A-D read access. This mode is useful for reading status information before writing to the HDLC XFIFO. Generally, it can be used for any register access to the address range  $00_H-7D_H$ . The termination condition of the read access is the reception of the  $wrdr$ . The sequence can have any length and is terminated by the rising edge of  $\overline{CS}$ .

Example for a read/write access with header  $49_H$ :

SDR	header	rdadr	rdadr	wrdr	wrdata (wradr)	wrdata (wradr)	wrdata (wradr)			
SDX			rddata	rddata						

**2.1.2 Parallel Microcontroller Interface**

The 8-bit parallel microcontroller interface with address decoding on chip allows an easy and fast microcontroller access.

The parallel interface of the T-SMINT<sup>®</sup>IX provides three types of  $\mu P$  busses which are selected via pin ALE. The bus operation modes with corresponding control pins are listed in [Table 6](#).

**Table 6 Bus Operation Modes**

	Bus Mode	Pin ALE	Control Pins
(1)	Motorola	VDD	$\overline{CS}$ , $R/\overline{W}$ , $\overline{DS}$
(2)	Siemens/Intel non-multiplexed	VSS	$\overline{CS}$ , $\overline{WR}$ , $\overline{RD}$
(3)	Siemens/Intel multiplexed	Edge	$\overline{CS}$ , $\overline{WR}$ , $\overline{RD}$ , ALE

The occurrence of an edge on ALE, either positive or negative, at any time during the operation immediately selects the interface type (3). A return to one of the other interface types is possible only if a hardware reset is issued.

Note: For a selected interface mode which does not require all pins (e.g. address pins) the unused pins must be tied to  $V_{DD}$ .

---

## Functional Description

A read/write access to the T-SMINT<sup>®</sup>IX registers can be done in **multiplexed or non-multiplexed** mode.

In non-multiplexed mode the register address must be applied to the address bus (A0-A6) for the data access via the data bus (D0-D7).

In multiplexed mode the address on the address bus (AD0-AD7) is latched in by ALE before a read/write access via the address/data bus is performed.

The T-SMINT<sup>®</sup>IX provides two different ways to address the register contents which can be selected with the AMOD bit in the MODE2 register. The address mode after reset is the indirect address mode (AMOD = '0'). Reprogramming into the direct address mode (AMOD = '1') has to take place in the indirect address mode. **Figure 8** illustrates both register addressing modes.

**Direct address mode** (AMOD = '1'): The register address to be read or written is directly set in the way described above.

**Indirect address mode** (AMOD = '0'):

- non-muxed: only the LSB of the address bus (A0)
- muxed: only the LSB of the address-data bus (AD0)

gets evaluated to address a virtual ADDRESS ( $0_H$ ) and a virtual DATA ( $1_H$ ) register.

Every access to a target register consists of:

- a write access (muxed or non-muxed) to ADDRESS to store the target register's address, as well as
- a read access (muxed or non-muxed) from DATA to read from the target register or
- a write access (muxed or non-muxed) to DATA to write to the target register

Functional Description

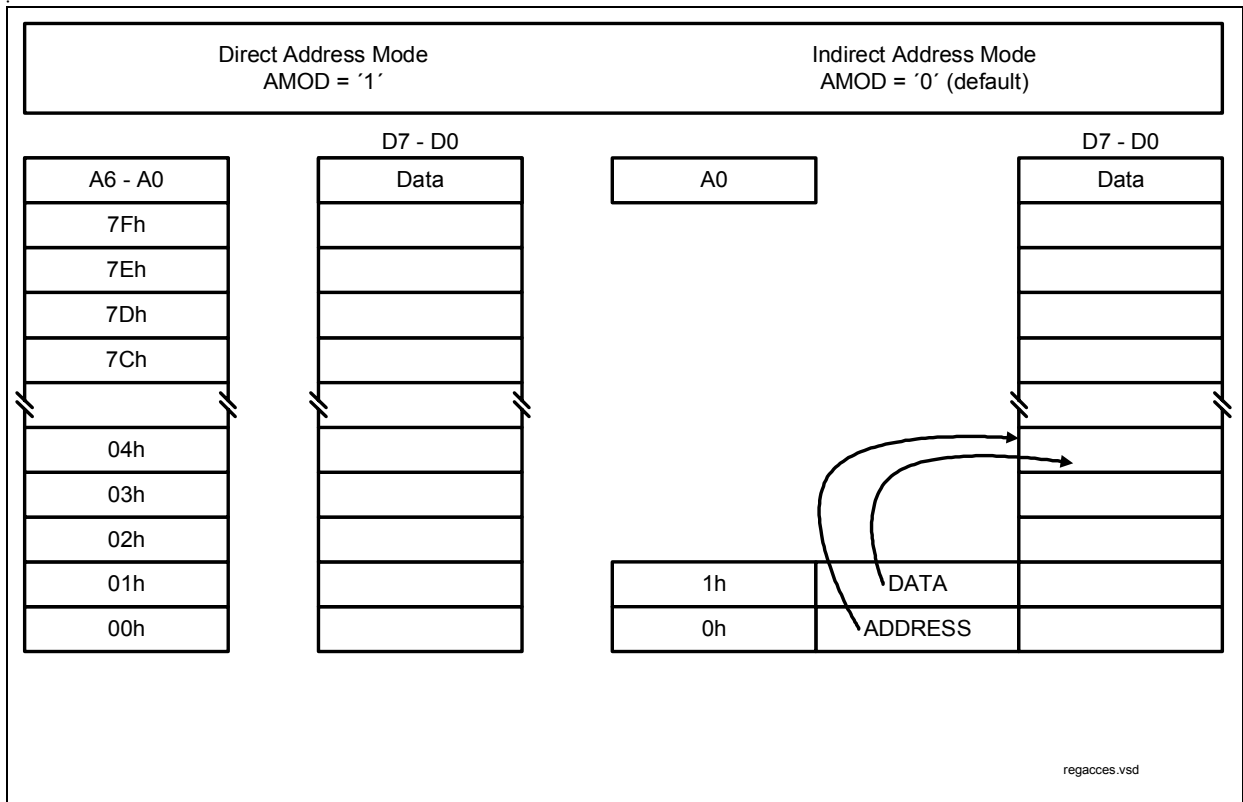


Figure 8 Direct/Indirect Register Address Mode

### 2.1.3 Microcontroller Clock Generation

The microcontroller clock is derived from the unregulated 15.36 MHz clock from the oscillator and provided by the pin MCLK. Five clock rates are selectable by a programmable prescaler which is controlled by the bits MODE1.MCLK and MODE1.CDS corresponding to the following table.

Table 7 MCLK Frequencies

MODE1.MCLK Bits		MCLK frequency with MODE1.CDS = '0'	MCLK frequency with MODE1.CDS = '1'
0	0	3.84 MHz	7.68 MHz
0	1	0.96 MHz	1.92 MHz
1	0	7.68 MHz	15.36 MHz
1	1	disabled	disabled

The clock rate is changed after  $\overline{CS}$  becomes inactive.

## 2.2 Reset Generation

Figure 9 shows the organization of the reset generation of the T-SMINT<sup>®</sup>IX.

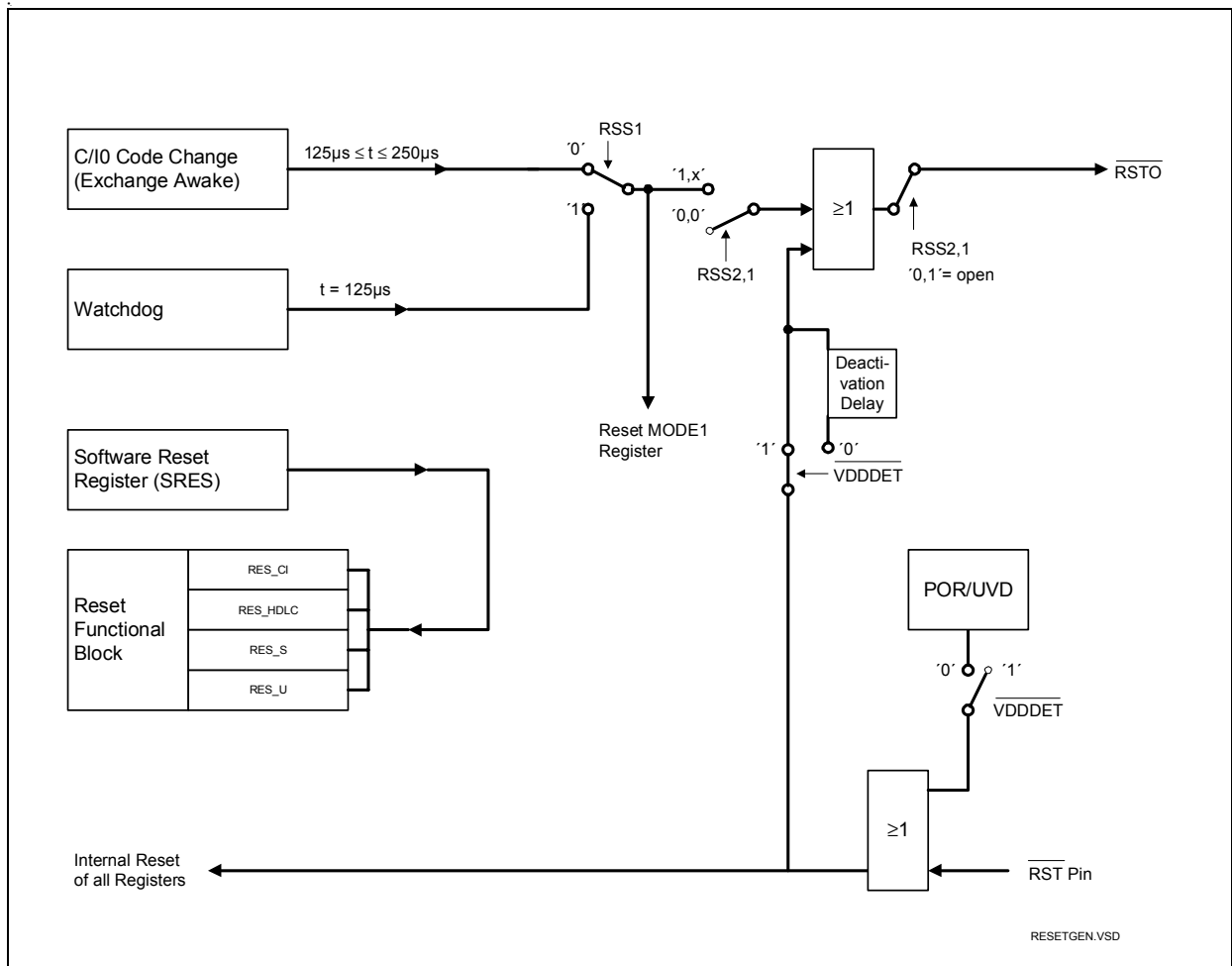


Figure 9 Reset Generation of the T-SMINT<sup>®</sup>IX<sup>1)</sup>

### Reset Source Selection

The internal reset sources C/I code change and Watchdog timer can be output at the low active reset pin  $\overline{RSTO}$ . These reset sources can be selected with the RSS2,1 bits in the MODE1 register according to [Table 8](#).

<sup>1)</sup> The 'OR'-gates shall illustrate in a symbolic way, that 'source A active' or 'source B active' is forwarded. The real polarity of the different sources is not considered.

Functional Description

The internal reset sources set the MODE1 register to its reset value.

**Table 8 Reset Source Selection**

RSS2 Bit 1	RSS1 Bit 0	C/I Code Change	Watchdog Timer	POR/UVD <sup>1)</sup> and $\overline{\text{RST}}$
0	0	--	--	x
0	1	/RSTO disabled (= high impedance)		
1	0	x	--	x
1	1	--	x	x

<sup>1)</sup> POR/UVD can be enabled/disabled via pin  $\overline{\text{VDDDET}}$

- **C/I Code Change (Exchange Awake)**

A change in the downstream C/I channel (C/I0) generates a reset pulse of  $125 \mu\text{s} \leq t \leq 250 \mu\text{s}$ .

- **Watchdog Timer**

After the selection of the watchdog timer (RSS = '11') an internal timer is reset and started. During every time period of 128 ms the microcontroller has to program the WTC1- and WTC2 bits in the following sequence to reset and restart the watchdog timer:

	WTC1	WTC2
1.	1	0
2.	0	1

Otherwise the timer expires and a WOV-interrupt (ISTA Register) together with a reset out pulse on pin  $\overline{\text{RSTO}}$  of 125  $\mu\text{s}$  is generated.

Deactivation of the watchdog timer is only possible with a hardware reset (including expiration of the watchdog timer).

As in the SCOUT-S, the watchdog timer is clocked with the IOM<sup>®</sup>-2 clocks and works only if the internal IOM<sup>®</sup>-2 clocks are active. Hence, the power consumption is minimized in state power down.

### Software Reset Register (SRES)

Several main functional blocks of the T-SMINT<sup>®</sup>IX can be reset separately by software setting the corresponding bit in the SRES register. This is equivalent to a hardware reset of the corresponding functional block. The reset state is activated as long as the bit is set to '1'.

---

## Functional Description

### External Reset Input

At the  $\overline{\text{RST}}$  input an external reset can be applied forcing the T-SMINT<sup>®</sup>IX in the reset state. This external reset signal is additionally fed to the  $\overline{\text{RSTO}}$  output.

After release of an external reset, the  $\mu\text{C}$  has to wait for min.  $t_{\mu\text{C}}$  before it starts read or write access to the T-SMINT<sup>®</sup>IX (see [Table 41](#)).

### Reset Output

If  $\overline{\text{VDDDET}}$  is active, then the deactivation of a reset output on  $\overline{\text{RSTO}}$  is delayed by  $t_{\text{DEACT}}$  (see [Table 42](#)).

### Reset Generation

The T-SMINT<sup>®</sup>IX has an on-chip reset generator based on a Power-On Reset (POR) and Under Voltage Detection (UVD) circuit (see [Table 42](#)). The POR/UVD requires no external components.

The POR/UVD circuit can be disabled via pin  $\overline{\text{VDDDET}}$ .

The requirements on  $V_{\text{DD}}$  ramp-up during power-on reset are described in [Chapter 5.6.5](#).

### Clocks and Data Lines During Reset

During reset the data clock (DCL), the bit clock (BCL), the microcontroller clock<sup>1)</sup> (MCLK) and the frame synchronization (FSC) keep running.

During reset DD and DU are high; with the exception of:

- The output C/I code from the U-Transceiver on DD IOM<sup>®</sup>-2 channel 0 is 'DR' = 0000 (Value after reset of register UCIR = '00<sub>H</sub>')
- The output C/I code from the S-Transceiver on DU IOM<sup>®</sup>-2 channel 1 is 'TIM' = 0000.

---

<sup>1)</sup> during a Power-On/UVD Reset, the microcontroller clock MCLK is not running, but starts running as soon as timer  $t_{\text{DEAC}}$  is started.



## 2.3 IOM<sup>®</sup>-2 Interface

The T-SMINT<sup>®</sup>IX supports the IOM<sup>®</sup>-2 interface in terminal mode (DCL=1.536 MHz) according to the IOM<sup>®</sup>-2 Reference Guide [12].

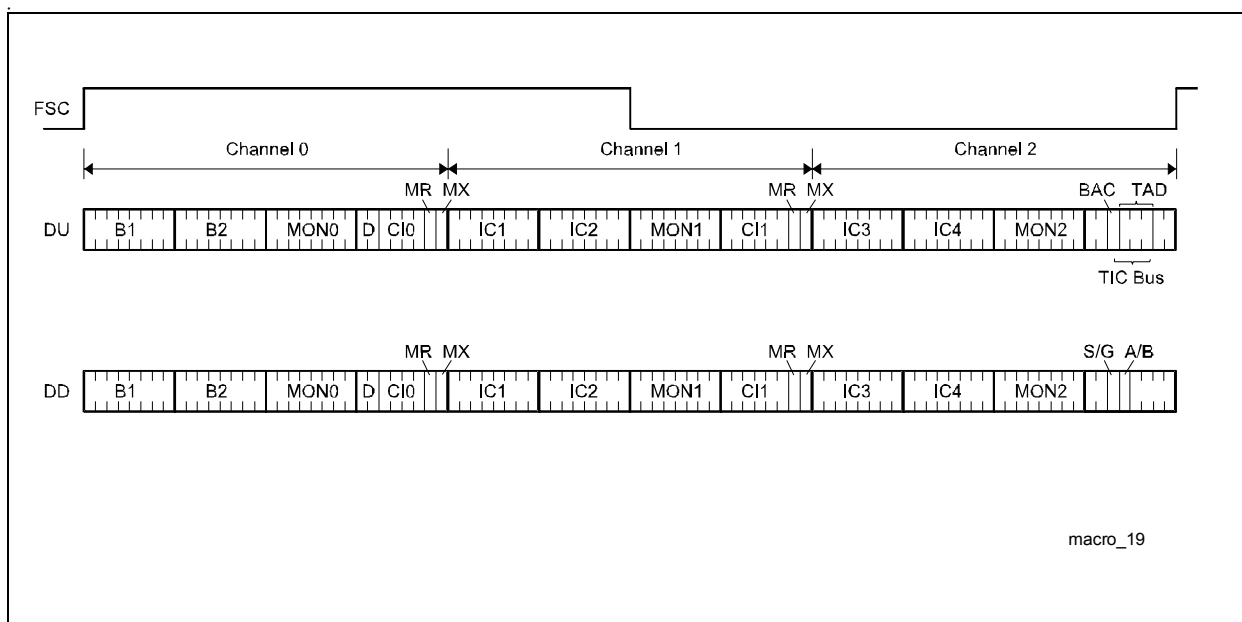
### 2.3.1 IOM<sup>®</sup>-2 Functional Description

The IOM<sup>®</sup>-2 interface consists of four lines: FSC, DCL, DD, DU and optionally BCL. The rising edge of FSC indicates the start of an IOM<sup>®</sup>-2 frame. The DCL and the BCL clock signals synchronize the data transfer on both data lines DU and DD. The DCL is twice the bit rate, the BCL rate is equal to the bit rate. The bits are shifted out with the rising edge of the first DCL clock cycle and sampled at the falling edge of the second clock cycle. With BCL the bits are shifted out with the rising edge and sampled with the falling edge of the single clock cycle.

The IOM<sup>®</sup>-2 interface can be enabled/disabled with the DIS\_IOM bit in the IOM\_CR register. The FSC signal is an 8 kHz frame sync signal. The number of PCM timeslots on the receive and transmit lines is determined by the frequency of the DCL clock (or BCL), with the 1.536 MHz (BCL=768 kHz) clock 3 channels consisting of 4 timeslots each are available.

#### IOM<sup>®</sup>-2 Frame Structure of the T-SMINT<sup>®</sup>IX

The frame structure on the IOM<sup>®</sup>-2 data ports (DU,DD) of the T-SMINT<sup>®</sup>IX with a DCL clock of 1.536 MHz (or BCL=768 kHz) and if TIC bus is not disabled (IOM\_CR.TIC\_DIS) is shown in **Figure 10**.



**Figure 10 IOM<sup>®</sup>-2 Frame Structure of the T-SMINT<sup>®</sup>IX**

## Functional Description

The frame is composed of three channels:

- Channel 0 contains 144-kbit/s of user and signaling data (2B + D), a MONITOR programming channel (MON0) and a command/indication channel (CI0) for control and programming of e.g. the U-transceiver.
- Channel 1 contains two 64-kbit/s intercommunication channels (IC), a MONITOR programming channel (MON1) and a command/indication channel (CI1) for control and programming of e.g. the S-transceiver.
- Channel 2 is used for D-channel access mechanism (TIC-bus, S/G bit). Additionally, channel 2 supports further IC and MON channels.

### 2.3.2 IOM<sup>®</sup>-2 Handler

The IOM<sup>®</sup>-2 handler offers a great flexibility for handling the data transfer between the different functional units of the T-SMINT<sup>®</sup>IX and voice/data devices connected to the IOM<sup>®</sup>-2 interface. Additionally it provides a microcontroller access to all time slots of the IOM<sup>®</sup>-2 interface via the four controller data access registers (CDA).

The PCM data of the functional units

- S-transceiver (S) and the
- Controller data access (CDA)

can be configured by programming the time slot and data port selection registers (TSDP). With the TSS bits (Time Slot Selection) the PCM data of the functional units can be assigned to each of the 12 PCM time slots of the IOM<sup>®</sup>-2 frame. With the DPS bit (Data Port Selection) the output of each functional unit is assigned to DU or DD respectively. The input is assigned vice versa. With the control registers (CR) the access to the data of the functional units can be controlled by setting the corresponding control bits (EN, SWAP).

The IOM<sup>®</sup>-2 handler also provides access to the

- U and S transceiver
- MONITOR channel
- C/I channels (CI0,CI1)
- TIC bus (TIC) and
- D- and/or B-channel for HDLC control

The access to these channels is controlled by the registers S\_CR, HCI\_CR and MON\_CR.

The IOM<sup>®</sup>-2 interface with the two Serial Data Strobes (SDS1,2) is controlled by the control registers IOM\_CR, SDS1\_CR and SDS2\_CR.

The following **Figure 11** shows the architecture of the IOM<sup>®</sup>-2 handler.

Functional Description

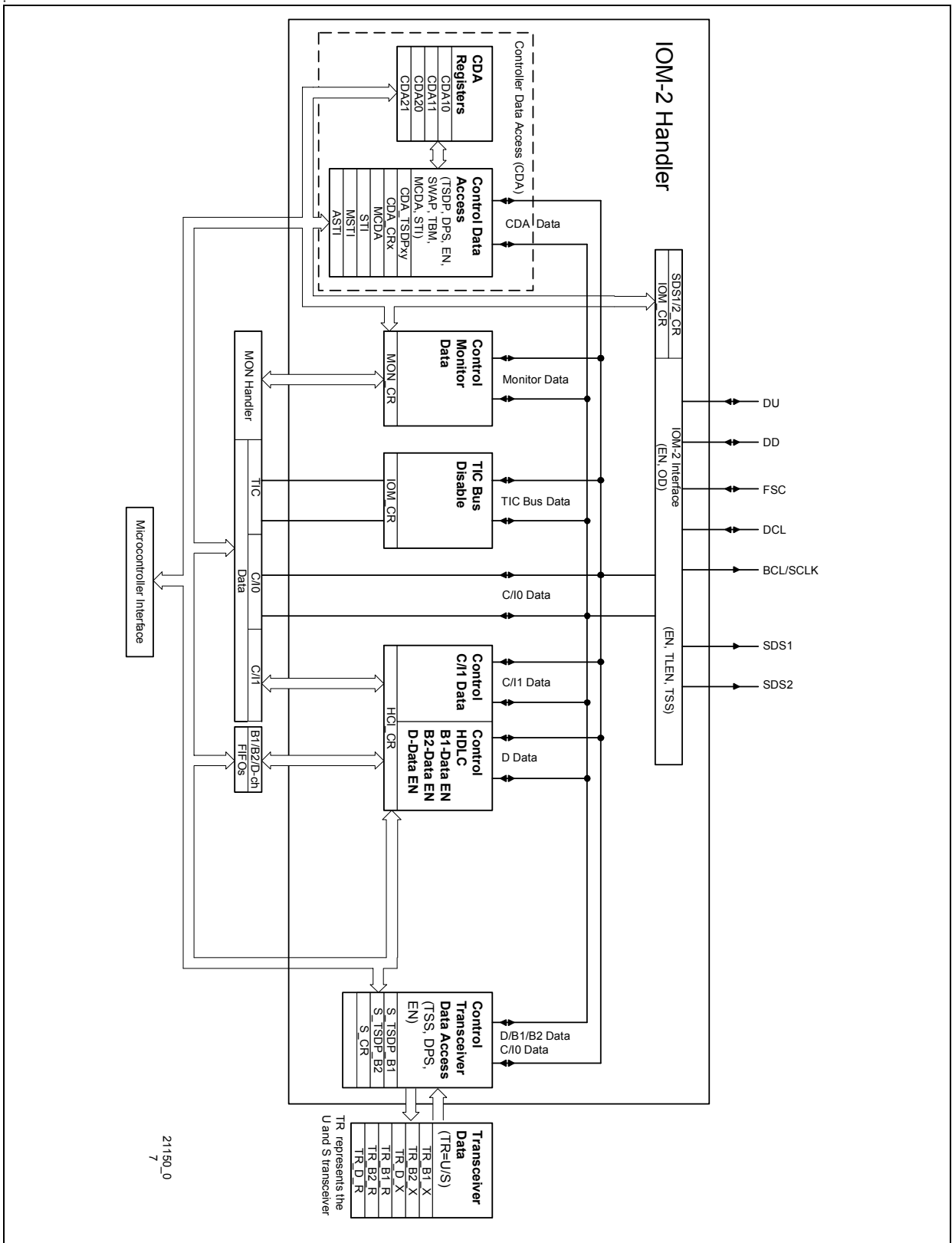


Figure 11 Architecture of the IOM<sup>®</sup>-2 Handler

### 2.3.2.1 Controller Data Access (CDA)

The four controller data access registers (CDA10, CDA11, CDA20, CDA21) provide microcontroller access to the 12 IOM<sup>®</sup>-2 time slots and more:

- looping of up to four independent PCM channels from DU to DD or vice versa over the four CDA registers
- shifting or switching of two independent PCM channels to another two independent PCM channels on both data ports (DU, DD). Between reading and writing the data can be manipulated (processed with an algorithm) by the microcontroller. If this is not the case a switching function is performed.
- monitoring of up to four time slots on the IOM<sup>®</sup>-2 interface simultaneously
- microcontroller read and write access to each PCM channel

The access principle, which is identical for the two channel register pairs CDA10/11 and CDA20/21, is illustrated in [Figure 12](#). The index variables x,y used in the following description can be 1 or 2 for x, and 0 or 1 for y. The prefix 'CDA\_' from the register names has been omitted for simplification.

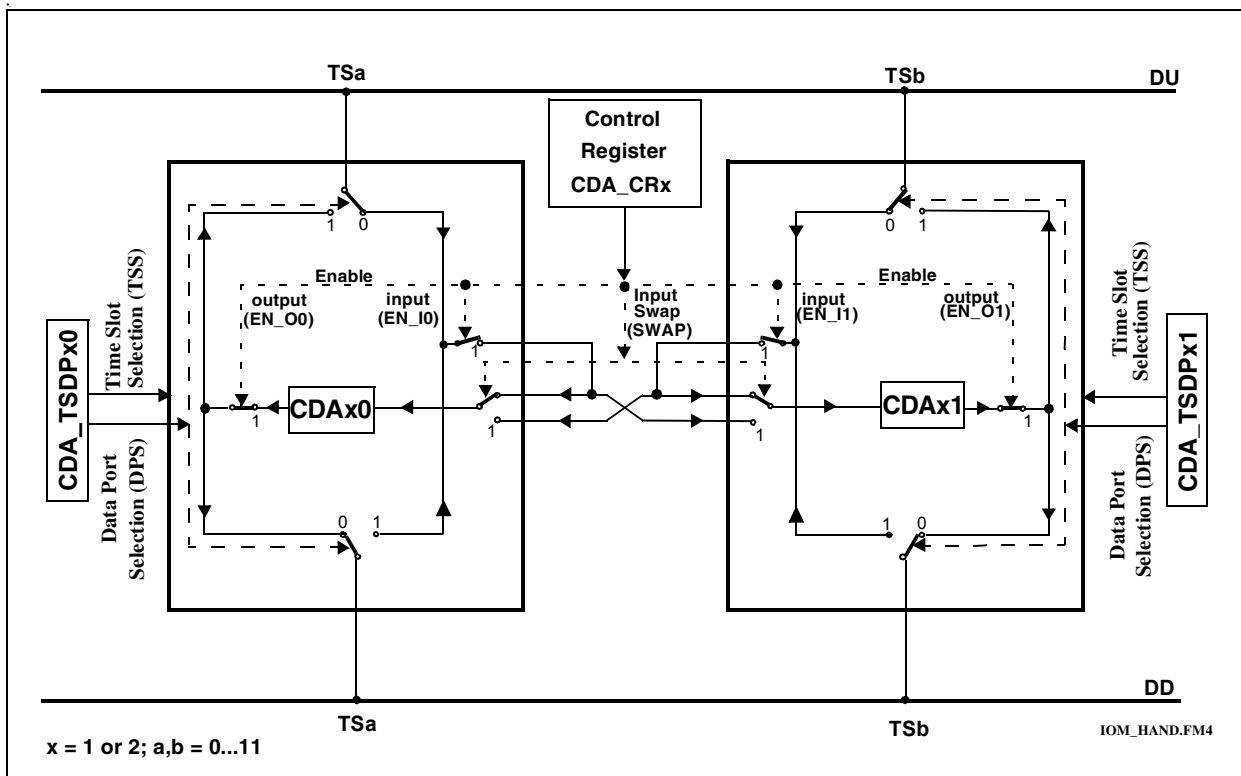
To each of the four CDAXy data registers a TSDPxy register is assigned by which the time slot and the data port can be determined. With the TSS (Time Slot Selection) bits a time slot from 0...11 can be selected. With the DPS (Data Port Selection) bit the output of the CDAXy register can be assigned to DU or DD respectively. The time slot and data port for the output of CDAXy is always defined by its own TSDPxy register. The input of CDAXy depends on the SWAP bit in the control registers CRx.

If the SWAP bit = '0' (swap is disabled) the time slot and data port for the input and output of the CDAXy register is defined by its own TSDPxy register.

If the SWAP bit = '1' (swap is enabled) the input port and time slot of the CDAX0 is defined by the TSDP register of CDAX1 and the input port and time slot of CDAX1 is defined by the TSDP register of CDAX0. The input definition for time slot and data port CDAX0 are thus swapped to CDAX1 and for CDAX1 swapped to CDAX0. The output timeslots are not affected by SWAP.

The input and output of every CDAXy register can be enabled or disabled by setting the corresponding EN (-able) bit in the control register CDAX\_CR. If the input of a register is disabled the output value in the register is retained.

Usually one input and one output of a functional unit (transceiver, HDLC controller, CDA register) is programmed to a timeslot on IOM<sup>®</sup>-2 (e.g. for B-channel transmission in upstream direction the S-transceiver writes data onto IOM<sup>®</sup>-2 and the U-transceiver reads data from IOM<sup>®</sup>-2). For monitoring data in such cases a CDA register is programmed as described below under "Monitoring Data". Besides that none of the IOM<sup>®</sup>-2 timeslots must be assigned more than one input and output of any functional unit.



**Figure 12 Data Access via CDAX0 and CDAX1 register pairs**

### Looping and Shifting Data

**Figure 13** gives examples for typical configurations with the above explained control and configuration possibilities with the bits TSS, DPS, EN and SWAP in the registers TSDPx<sub>y</sub> or CDAX<sub>x</sub>\_CR:

- a) looping IOM<sup>®</sup>-2 time slot data from DU to DD or vice versa (SWAP = '0')
- b) shifting data from TSa to TSb and TS<sub>c</sub> to TS<sub>d</sub> in both transmission directions (SWAP = '1')
- c) switching data from TSa to TSb and looping from DU to DD or switching TS<sub>c</sub> to TS<sub>d</sub> and looping from DD to DU .

TSa is programmed in TSDP10, TSb in TSDP11, TS<sub>c</sub> in TSDP20 and TS<sub>d</sub> in TSDP21.

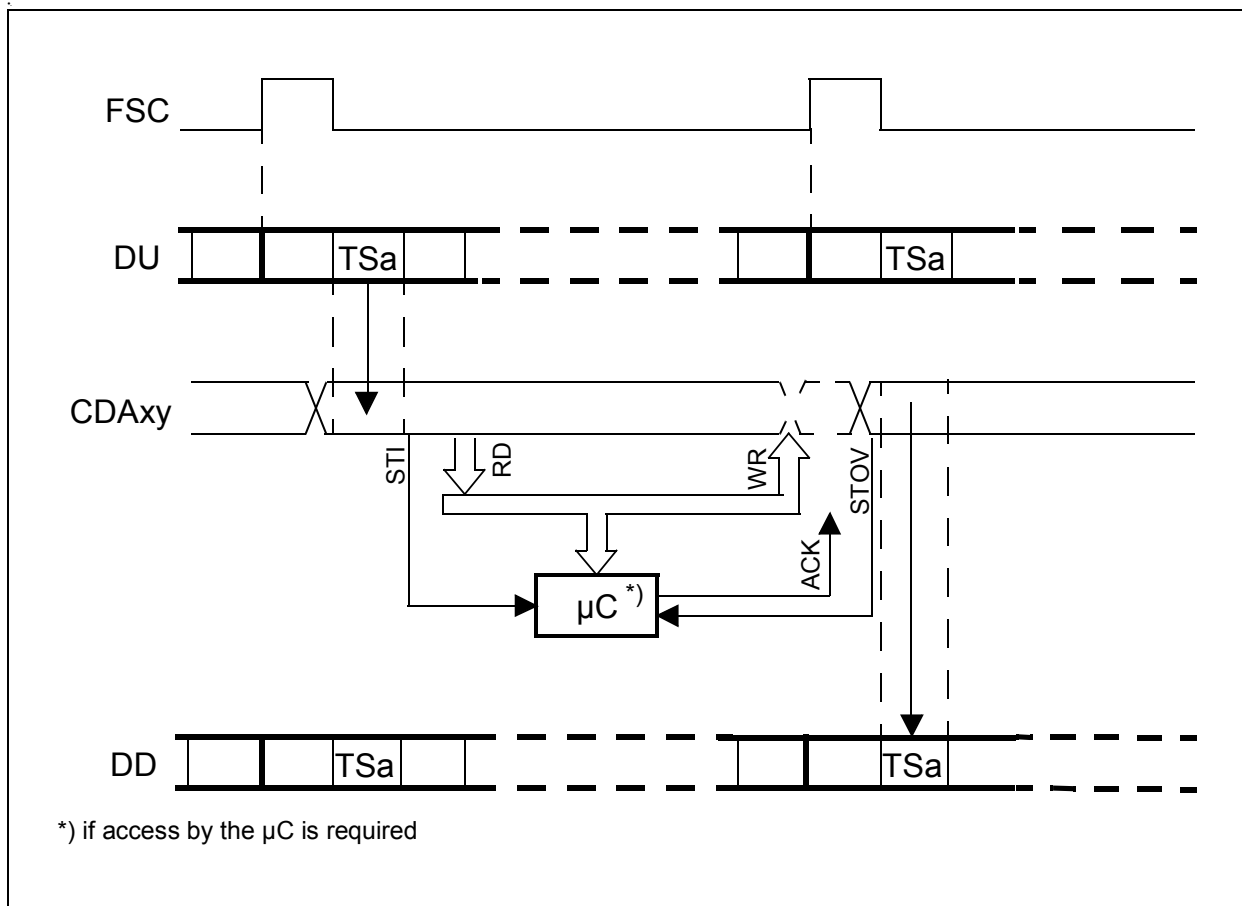


Functional Description

**Figure 14** shows the timing of looping TSa from DU to DD via CDAXy register. TSa is read in the CDAXy register from DU and is written one frame later on DD.

**Figure 15** shows the timing of shifting data from TSa to TSb on DU(DD). In **Figure 15a)** shifting is done in one frame because TSa and TSb didn't succeed directly one another ( $a = 0...9$  and  $b \geq a+2$ ). In **Figure 15b)** shifting is done from one frame to the following frame. This is the case when the time slots succeed one other ( $b = a+1$ ) or b is smaller than a ( $b < a$ ).

At looping and shifting the data can be accessed by the controller between the synchronous transfer interrupt (STI) and the status overflow interrupt (STOV). STI and STOV are explained in the section 'Synchronous Transfer'. If there is no controller intervention the looping and shifting is done autonomously.



**Figure 14 Data Access when Looping TSa from DU to DD**

Functional Description

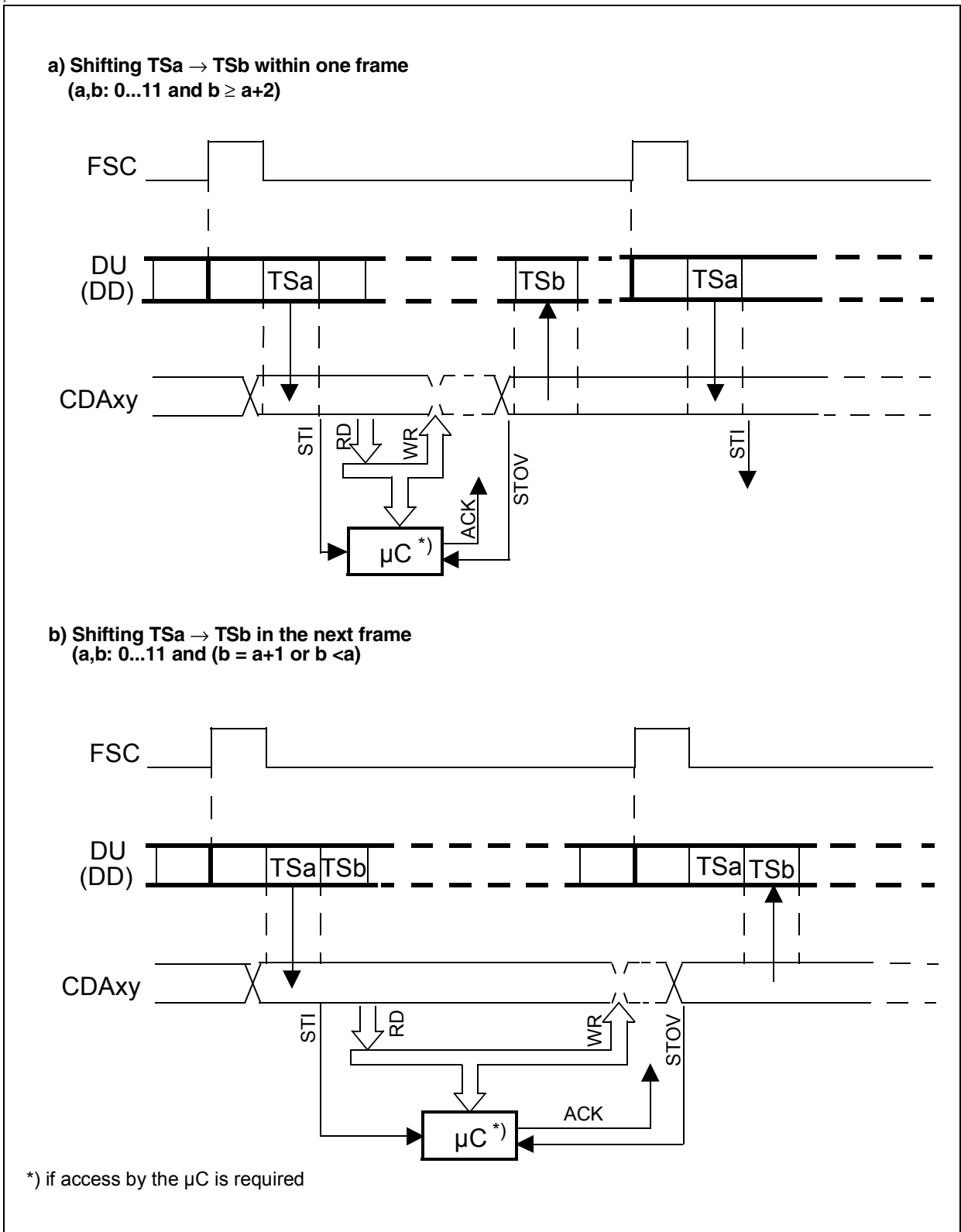


Figure 15 Data Access when Shifting TSa to TSb on DU (DD)

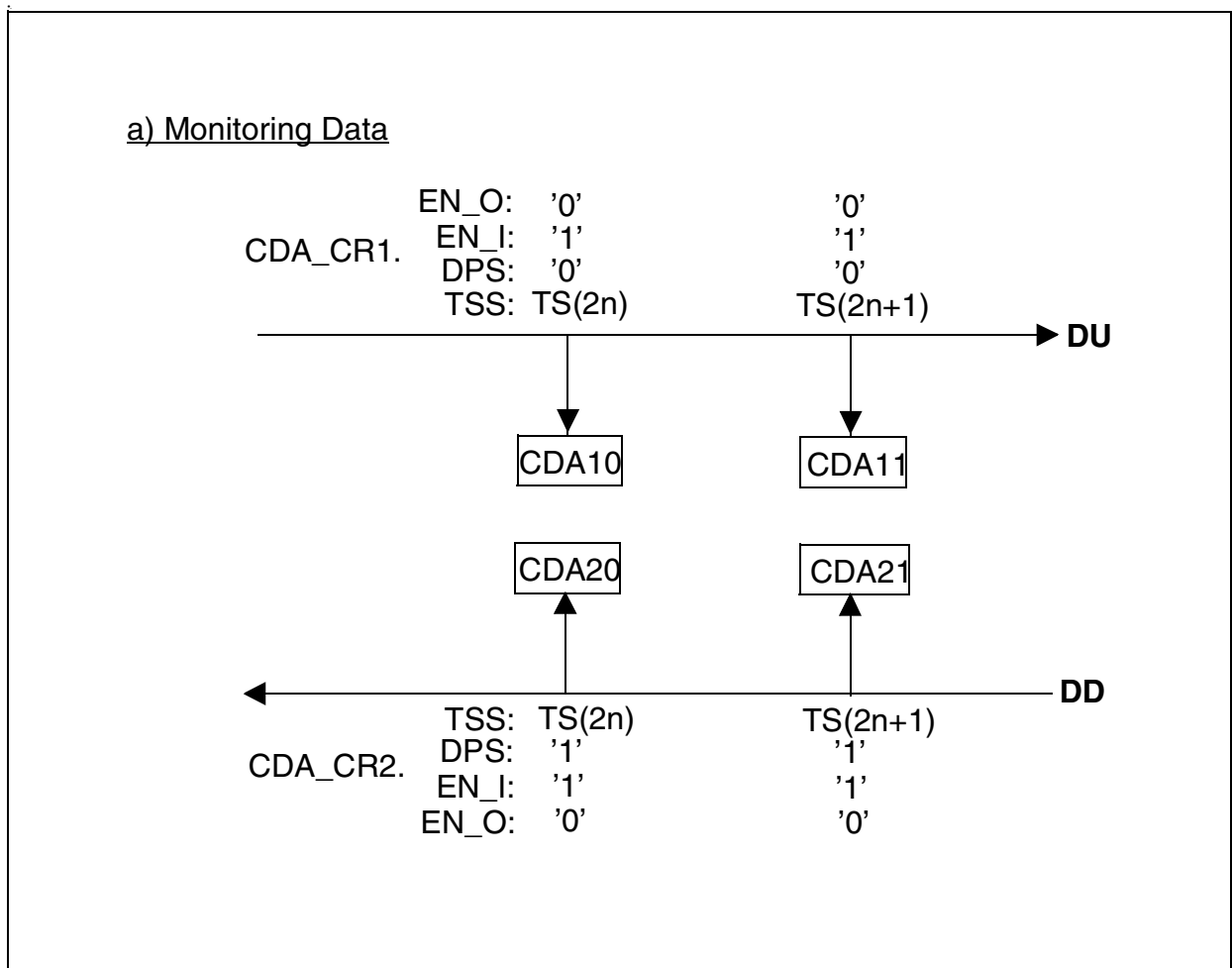


### Monitoring Data

**Figure 16** gives an example for monitoring of two IOM<sup>®</sup>-2 time slots each on DU or DD simultaneously. For monitoring on DU and/or DD the channel registers with even numbers (CDA10, CDA20) are assigned to time slots with even numbers TS(2n) and the channel registers with odd numbers (CDA11, CDA21) are assigned to time slots with odd numbers TS(2n+1). The user has to take care of this restriction by programming the appropriate time slots.

This mode is only valid if two blocks (e.g. both transceivers) are programmed to these timeslots and communicating via IOM<sup>®</sup>-2.

However, if only one block is programmed to this timeslot the timeslots for CDAx0 and CDAx1 can be programmed completely independently.



**Figure 16 Example for Monitoring Data**

### Monitoring TIC Bus

Monitoring the TIC bus (TS11) is handled as a special case. The TIC bus can be monitored with the registers CDAx0 by setting the EN\_TBM (Enable TIC Bus Monitoring)

## Functional Description

bit in the control registers CRx. The TSDPx0 must be set to 08<sub>h</sub> for monitoring from DU or 88<sub>h</sub> for monitoring from DD. By this it is possible to monitor the TIC bus (TS11) and the odd numbered D-channel (TS3) simultaneously on DU and DD.

### Synchronous Transfer

While looping, shifting and switching the data can be accessed by the controller between the synchronous transfer interrupt (STI) and the synchronous transfer overflow interrupt (STOV).

The microcontroller access to each of the CDAXy registers can be synchronized by means of four programmable synchronous transfer interrupts (STIxy)<sup>1)</sup> and synchronous transfer overflow interrupts (STOVxy)<sup>2)</sup> in the STI register.

Depending on the DPS bit in the corresponding TSDPxy register the STIxy is generated two (for DPS='0') or one (for DPS='1') BCL clock after the selected time slot (CDA\_TSDPxy.TSS). One BCL clock is equivalent to two DCL clocks.

In the following description the index xy<sub>0</sub> and xy<sub>1</sub> are used to refer to two different interrupt pairs (STI/STOV) out of the four CDA interrupt pairs (STI10/STOV10, STI11/STOV11, STI20/STOV20, STI21/STOV21).

A STOVxy<sub>0</sub> is related to its STIxy<sub>0</sub> and is only generated if STIxy<sub>0</sub> is enabled and not acknowledged. However, if STIxy<sub>0</sub> is masked, the STOVxy<sub>0</sub> is generated for any other STIxy<sub>1</sub> which is enabled and not acknowledged.

**Table 9** gives some examples for that. It is assumed that a STOV interrupt is only generated because a STI interrupt was not acknowledged before.

In example 1 only the STIxy<sub>0</sub> is enabled and thus STIxy<sub>0</sub> is only generated. If no STI is enabled, no interrupt will be generated even if STOV is enabled (example 2).

In example 3 STIxy<sub>0</sub> is enabled and generated and the corresponding STOVxy<sub>0</sub> is disabled. STIxy<sub>1</sub> is disabled but its STOVxy<sub>1</sub> is enabled, and therefore STOVxy<sub>1</sub> is generated due to STIxy<sub>0</sub>. In example 4 additionally the corresponding STOVxy<sub>0</sub> is enabled, so STOVxy<sub>0</sub> and STOVxy<sub>1</sub> are both generated due to STIxy<sub>0</sub>.

In example 5 additionally the STIxy<sub>1</sub> is enabled with the result that STOVxy<sub>0</sub> is only generated due to STIxy<sub>0</sub> and STOVxy<sub>1</sub> is only generated due to STIxy<sub>1</sub>.

Compared to the previous example STOVxy<sub>0</sub> is disabled in example 6, so STOVxy<sub>0</sub> is not generated and STOVxy<sub>1</sub> is only generated for STIxy<sub>1</sub> but not for STIxy<sub>0</sub>.

<sup>1)</sup> In order to enable the STI interrupts the input of the corresponding CDA register has to be enabled. This is also valid if only a synchronous write access is wanted. The enabling of the output alone does not effect an STI interrupt.

<sup>2)</sup> In order to enable the STOV interrupts the output of the corresponding CDA register has to be enabled. This is also valid if only a synchronous read access is wanted. The enabling of the input alone does not effect an interrupt.

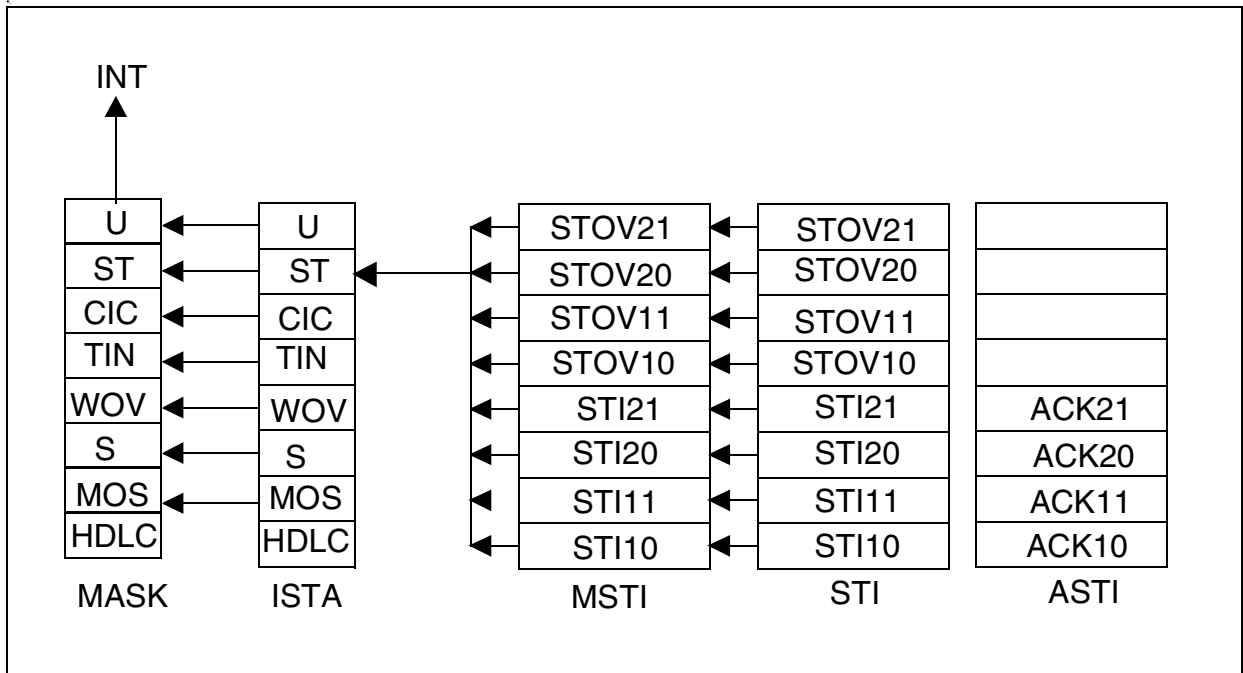
**Table 9 Examples for Synchronous Transfer Interrupts**

Enabled Interrupts (Register MSTI)		Generated Interrupts (Register STI)		
STI	STOV	STI	STOV	
xy <sub>0</sub>	-	xy <sub>0</sub>	-	Example 1
-	xy <sub>0</sub>	-	-	Example 2
xy <sub>0</sub>	xy <sub>1</sub>	xy <sub>0</sub>	xy <sub>1</sub>	Example 3
xy <sub>0</sub>	xy <sub>0</sub> ; xy <sub>1</sub>	xy <sub>0</sub>	xy <sub>0</sub> ; xy <sub>1</sub>	Example 4
xy <sub>0</sub> ; xy <sub>1</sub>	xy <sub>0</sub> ; xy <sub>1</sub>	xy <sub>0</sub> xy <sub>1</sub>	xy <sub>0</sub> xy <sub>1</sub>	Example 5
xy <sub>0</sub> ; xy <sub>1</sub>	xy <sub>1</sub>	xy <sub>0</sub> xy <sub>1</sub>	- xy <sub>1</sub>	Example 6
xy <sub>0</sub> ; xy <sub>1</sub>	xy <sub>0</sub> ; xy <sub>1</sub> ; xy <sub>2</sub>	xy <sub>0</sub> xy <sub>1</sub>	xy <sub>0</sub> ; xy <sub>2</sub> xy <sub>1</sub> ; xy <sub>2</sub>	Example 7

Compared to example 5 in example 7 a third STOVxy<sub>2</sub> is enabled and thus STOVxy<sub>2</sub> is generated additionally for both STIxy<sub>0</sub> and STIxy<sub>1</sub>.

A STOV interrupt is not generated if all stimulating STI interrupts are acknowledged.

A STIxy must be acknowledged by setting the ACKxy bit in the ASTI register two BCL clock (for DPS='0') or one BCL clocks (for DPS='1') before the time slot which is selected for the appropriate STIxy. The interrupt structure of the synchronous transfer is shown in [Figure 17](#).



**Figure 17 Interrupt Structure of the Synchronous Data Transfer**

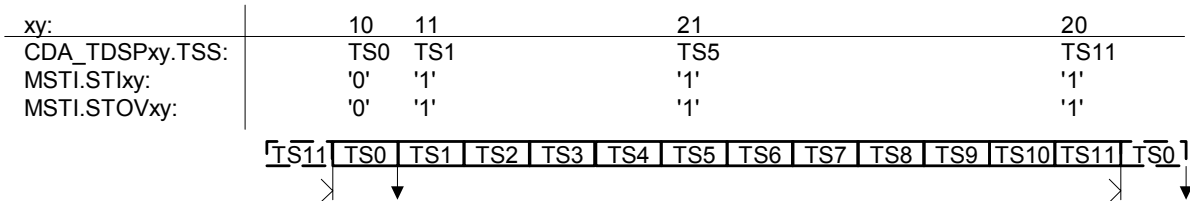
**Figure 18** shows some examples based on the timeslot structure. Figure a) shows at which point in time a STI and STOV interrupt is generated for a specific timeslot. Figure b) is identical to example 3 above, figure c) corresponds to example 5 and figure d) shows example 4.

Functional Description

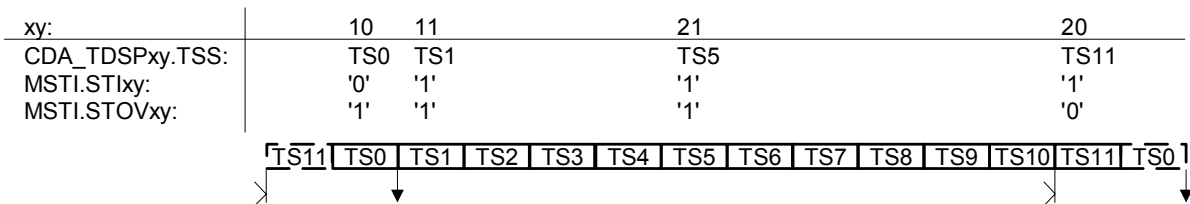
↓ : STI interrupt generated

⌋ : STOV interrupt generated for a not acknowledged STI interrupt

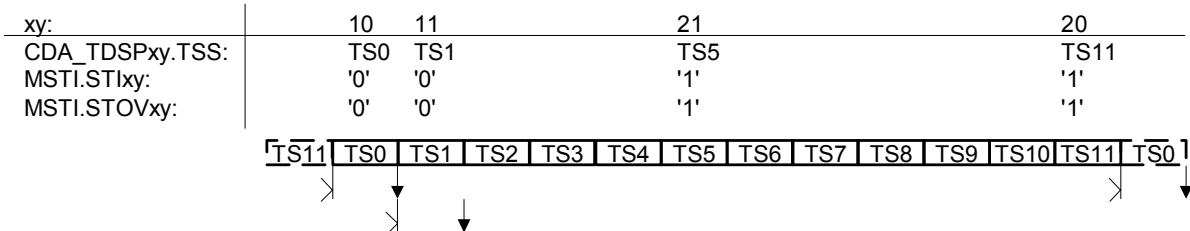
a) Interrupts for data access to time slot 0 (B1 after reset), MSTI.STI10 and MSTI.STOV10 enabled



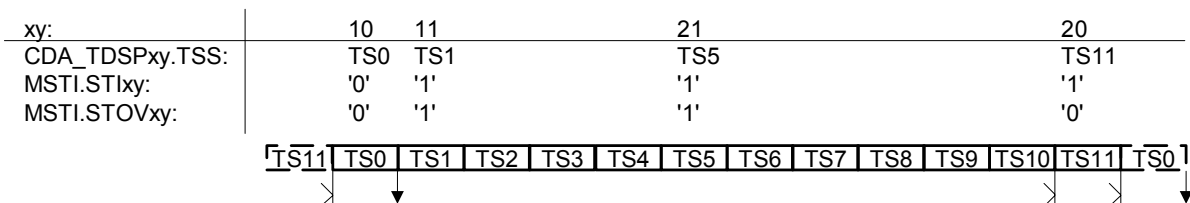
b) Interrupts for data access to time slot 0 (B1 after reset), STOV interrupt used as flag for "last possible CDA access"; MSTI.STI10 and MSTI.STOV20 enabled



c) Interrupts for data access to time slot 0 and 1 (B1 and B2 after reset), MSTI.STI10, MSTI.STOV10, MSTI.STI11 and MSTI.STOV11 enabled



d) Interrupts for data access to time slot 0 (B1 after reset), STOV20 interrupt used as flag for "last possible CDA access", STOV10 interrupt used as flag for "CDA access failed"; MSTI.STI10, MSTI.STOV10 and MSTI.STOV20 enabled



sti\_stov.vsd

**Figure 18 Examples for the Synchronous Transfer Interrupt Control with one STIxy enabled**

Functional Description

2.3.2.2 Serial Data Strobe Signal

For time slot oriented standard devices at the IOM<sup>®</sup>-2 interface, the T-SMINT<sup>®</sup>IX provides two independent data strobe signals SDS1 and SDS2.

The two strobe signals can be generated with every 8-kHz-frame and are controlled by the registers SDS1/2\_CR. By programming the TSS bits and three enable bits (ENS\_TSS, ENS\_TSS+1, ENS\_TSS+3) a data strobe can be generated for the IOM<sup>®</sup>-2 time slots TS, TS+1 and TS+3 (bit7,6) and the combinations of them.

The data strobes for TS and TS+1 are always 8 bits long (bit7 to bit0) whereas the data strobe for TS+3 is always 2 bits long (bit7, bit6).

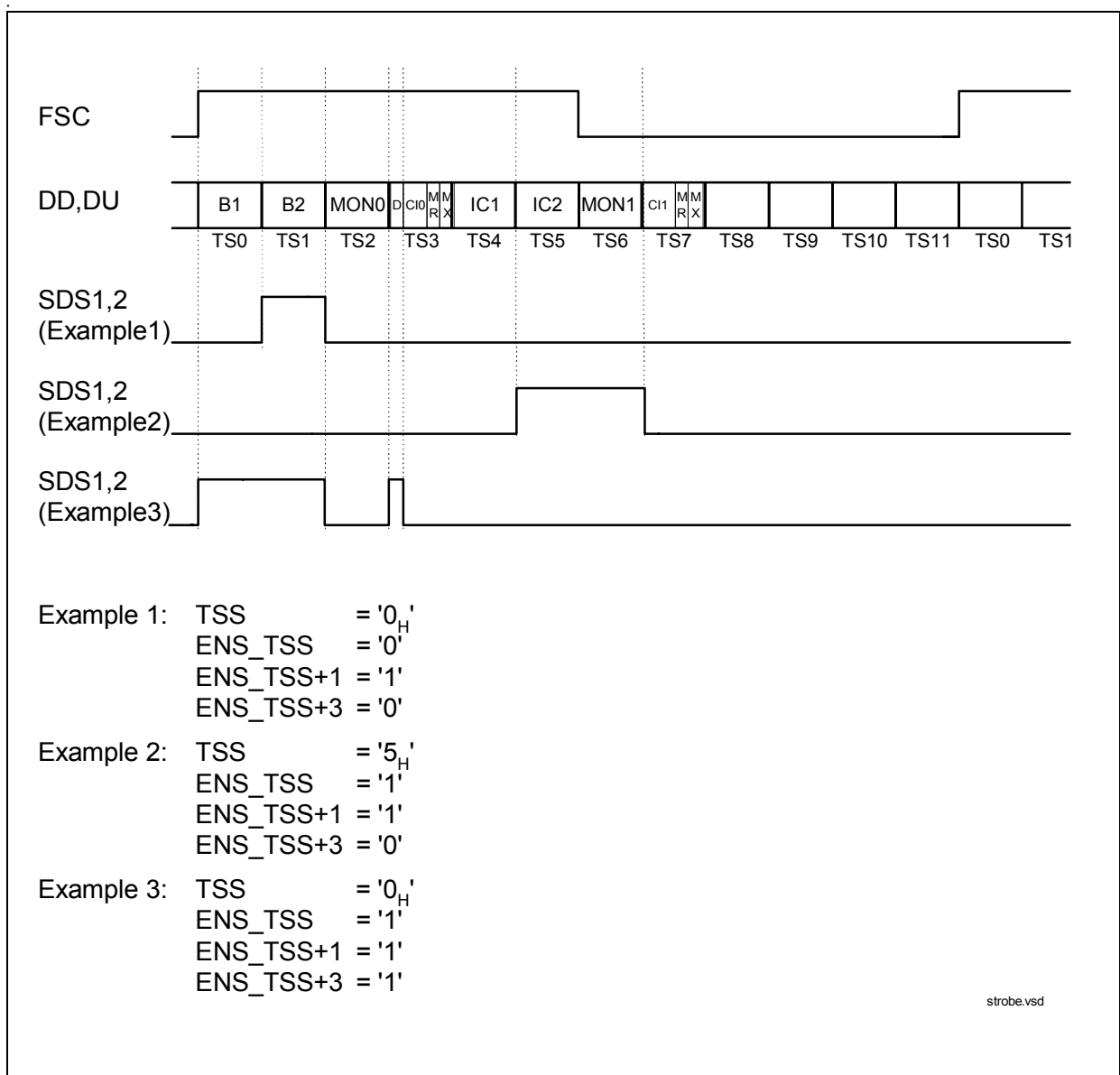


Figure 19 Data Strobe Signal Generation

**Figure 19** shows three examples for the generation of a strobe signal. In example 1 the SDS is active during channel B2 on IOM<sup>®</sup>-2, whereas in the second example during IC2 and MON1. The third example shows a strobe signal for 2B+D channels which is used e.g. at an IDSL (144 kbit/s) transmission.

### 2.3.3 IOM<sup>®</sup>-2 Monitor Channel

The IOM<sup>®</sup>-2 MONITOR channel is utilized for information exchange between the T-SMINT<sup>®</sup>IX and other devices in the MONITOR channel.

The MONITOR channel data can be controlled by the bits in the MONITOR control register (MON\_CR). For the transmission of the MONITOR data one of the 3 IOM<sup>®</sup>-2 channels can be selected by setting the MONITOR channel selection bits (MCS) in the MONITOR control register (MON\_CR).

The DPS bit in the same register selects between an output on DU or DD respectively and with EN\_MON the MONITOR data can be enabled/disabled. The default value is MONITOR channel 0 (MON0) enabled and transmission on DD.

The MONITOR channel of the T-SMINT<sup>®</sup>IX can be used in the following applications (refer also to and ):

- As a **master device** the T-SMINT<sup>®</sup>IX can program and control other devices (e.g. PSB 2161) attached to the IOM<sup>®</sup>-2, which therefore, do not need a microcontroller interface.
- As a **slave device** the T-SMINT<sup>®</sup>IX is programmed and controlled from a master device on IOM<sup>®</sup>-2 (e.g. UTAH). This is used in applications where no microcontroller is connected directly to the T-SMINT<sup>®</sup>IX.

The MONITOR channel operates according to the IOM<sup>®</sup>-2 Reference Guide [12].

Note: In contrast to the NTC-T, the T-SMINT<sup>®</sup>IX does neither issue nor react on Monitor commands (MON0,1,2,8). Instead, the T-SMINT<sup>®</sup>IX operated in IOM<sup>®</sup>-2 slave mode must be programmed via new MONITOR channel concept (see [Chapter 2.3.3.4](#)), which provides full register access. The Monitor time out procedure is available. Reporting of the T-SMINT<sup>®</sup>IX is performed via interrupts.

#### 2.3.3.1 Handshake Procedure

The MONITOR channel operates on an asynchronous basis. While data transfers on the bus take place synchronized to frame sync, the flow of data is controlled by a handshake procedure using the MONITOR Channel Receive (MR) and MONITOR Channel Transmit (MX) bits. Data is placed onto the MONITOR channel and the MX bit is activated. This data will be transmitted once per 8-kHz frame until the transfer is acknowledged via the MR bit.

**Functional Description**

The MONITOR channel protocol is described In the following section and **Figure 22** shall illustrate this. The relevant control and status bits for transmission and reception are listed in **Table 10** and **Table 11**.

**Table 10 Transmit Direction**

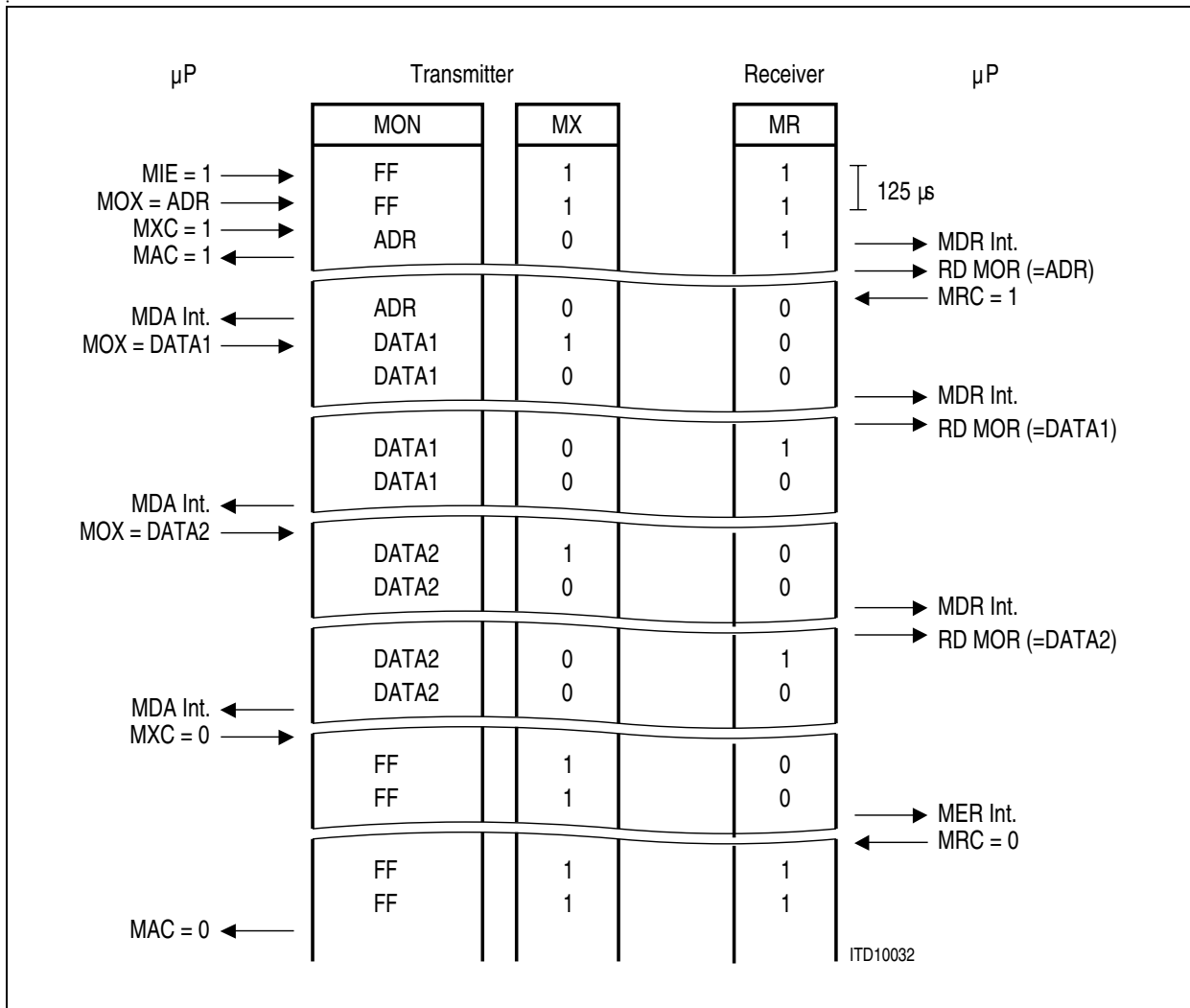
Control/ Status Bit	Register	Bit	Function
Control	MOCR	MXC	MX Bit Control
		MIE	Transmit Interrupt (MDA, MAB, MER) Enable
Status	MOSR	MDA	Data Acknowledged
		MAB	Data Abort
	MSTA	MAC	Transmission Active

**Table 11 Receive Direction**

Control/ Status Bit	Register	Bit	Function
Control	MOCR	MRC	MR Bit Control
		MRE	Receive Interrupt (MDR) Enable
Status	MOSR	MDR	Data Received
		MER	End of Reception



Functional Description



**Figure 20 MONITOR Channel Protocol (IOM®-2)**

Before starting a transmission, the microprocessor should verify that the transmitter is inactive, i.e. that a possible previous transmission has been terminated. This is indicated by a '0' in the MONITOR Channel Active MAC status bit.

After having written the MONITOR Data Transmit (MOX) register, the microprocessor sets the MONITOR Transmit Control bit MXC to '1'. This enables the MX bit to go active (0), indicating the presence of valid MONITOR data (contents of MOX) in the corresponding frame. As a result, the receiving device stores the MONITOR byte in its MONITOR Receive MOR register and generates a MDR interrupt status.

Alerted by the MDR interrupt, the microprocessor reads the MONITOR Receive (MOR) register. When it is ready to accept data (e.g. based on the value in MOR, which in a point-to-multipoint application might be the address of the destination device), it sets the MR control bit MRC to '1' to enable the receiver to store succeeding MONITOR channel bytes and acknowledge them according to the MONITOR channel protocol. In addition,

## Functional Description

it enables other MONITOR channel interrupts by setting MONITOR Interrupt Enable (MIE) to '1'.

As a result, the first MONITOR byte is acknowledged by the receiving device setting the MR bit to '0'. This causes a MONITOR Data Acknowledge MDA interrupt status at the transmitter.

A new MONITOR data byte can now be written by the microprocessor in MOX. The MX bit is still in the active (0) state. The transmitter indicates a new byte in the MONITOR channel by returning the MX bit active after sending it once in the inactive state. As a result, the receiver stores the MONITOR byte in MOR and generates a new MDR interrupt status. When the microprocessor has read the MOR register, the receiver acknowledges the data by returning the MR bit active after sending it once in the inactive state. This in turn causes the transmitter to generate a MDA interrupt status.

This "MDA interrupt – write data – MDR interrupt – read data – MDA interrupt" handshake is repeated as long as the transmitter has data to send. Note that the MONITOR channel protocol imposes no maximum reaction times to the microprocessor.

When the last byte has been acknowledged by the receiver (MDA interrupt status), the microprocessor sets the MONITOR Transmit Control bit MXC to '0'. This enforces an inactive ('1') state in the MX bit. Two frames of MX inactive signifies the end of a message. Thus, a MONITOR Channel End of Reception MER interrupt status is generated by the receiver when the MX bit is received in the inactive state in two consecutive frames. As a result, the microprocessor sets the MR control bit MRC to 0, which in turn enforces an inactive state in the MR bit. This marks the end of the transmission, making the MONITOR Channel Active MAC bit return to '0'.

During a transmission process, it is possible for the receiver to ask a transmission to be aborted by sending an inactive MR bit value in two consecutive frames. This is effected by the microprocessor writing the MR control bit MRC to '0'. An aborted transmission is indicated by a MONITOR Channel Data Abort MAB interrupt status at the transmitter.

The MONITOR transfer protocol rules are summarized in the following section

- A pair of MX and MR in the inactive state for two or more consecutive frames indicates an **idle state** or an **end of transmission**.
- A **start of a transmission** is initiated by the transmitter by setting the MXC bit to '1' enabling the internal MX control. The receiver acknowledges the received first byte by setting the MR control bit to '1' enabling the internal MR control.
- The internal MX, MR control indicates or acknowledges a new byte in the MON slot by toggling MX, MR from the active to the inactive state for one frame.
- Two frames with the MR-bit set to inactive indicate a receiver request for **abort**.
- The transmitter can **delay a transmission** sequence by sending the same byte continuously. In that case the MX-bit remains active in the IOM<sup>®</sup>-2 frame following the first byte occurrence. Delaying a transmission sequence is only possible while the receiver MR-bit and the transmitter MX-bit are active.

## Functional Description

- Since a **double last-look criterion** is implemented the receiver is able to receive the MON slot data at least twice (in two consecutive frames), the receiver waits for the acknowledge of the reception of two identical bytes in two successive frames.
- To control this handshake procedure a collision detection mechanism is implemented in the transmitter. This is done by making a **collision check** per bit on the transmitted MONITOR data and the MX bit.
- Monitor data will be transmitted repeatedly until its reception is acknowledged or the transmission time-out timer expires.
- Two frames with the MX bit in the inactive state indicates the **end of a message** (EOM).
- Transmission and reception of monitor messages can be performed simultaneously. This feature is used by the device to send back the response before the transmission from the controller is completed (the device does not wait for EOM from controller).

### 2.3.3.2 Error Treatment

In case the device does not detect identical monitor messages in two successive frames, transmission is not aborted. Instead the device will wait until two identical bytes are received in succession.

A transmission is aborted by the device if

- an error in the MR handshaking occurs
- a collision on the IOM<sup>®</sup>-2 bus of the MONITOR data or MX bit occurs
- the transmission time-out timer expires

A reception is aborted by the device if

- an error in the MX handshaking occurs or
- an abort request from the opposite device occurs

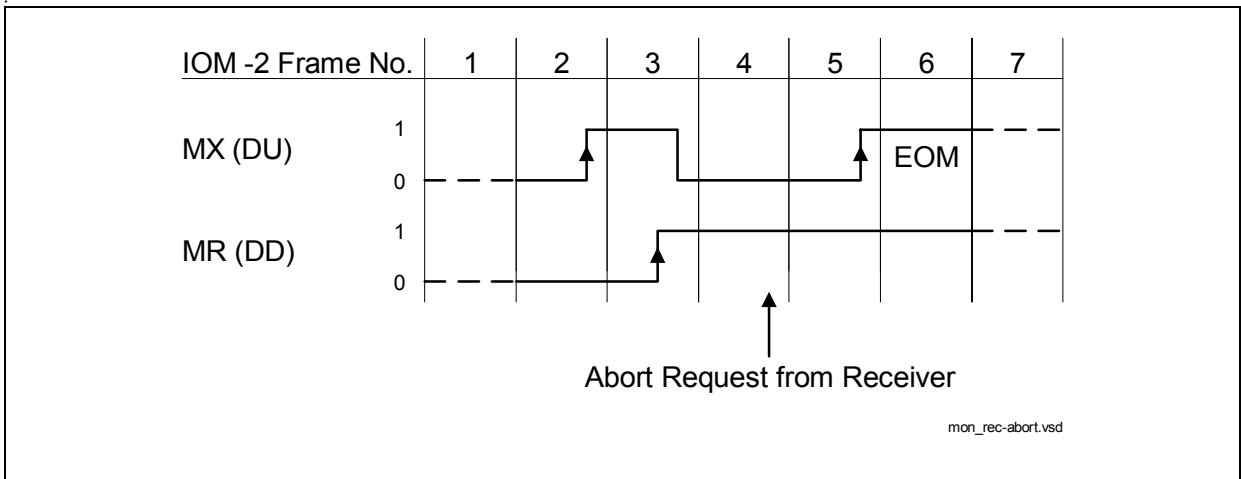
MX/MR Treatment in Error Case

In the master mode the MX/MR bits are under control of the microcontroller through MXC or MRC, respectively. An abort is indicated by an MAB interrupt or MER interrupt, respectively.

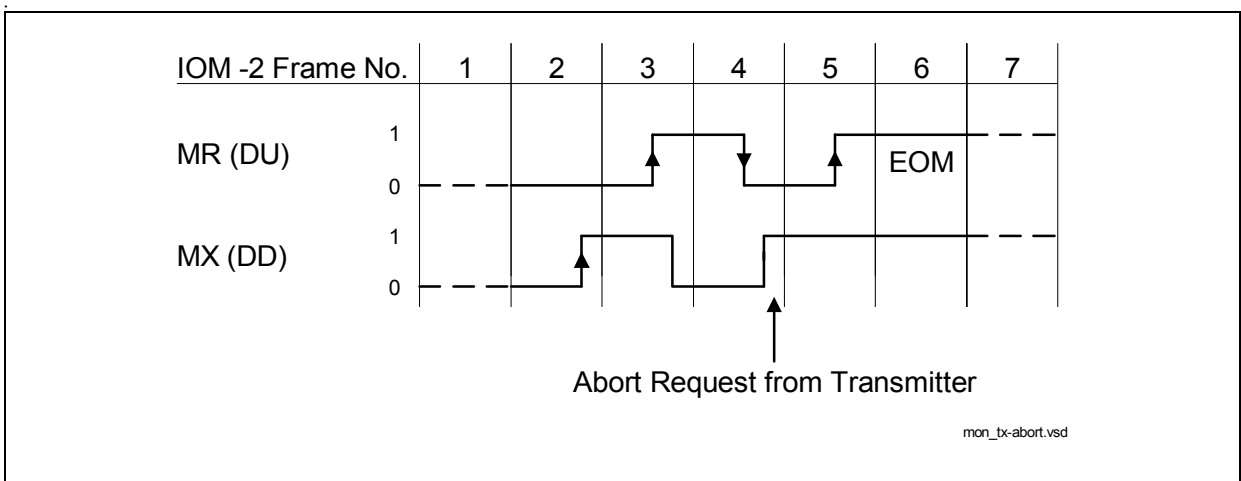
In the slave mode the MX/MR bits are under control of the device. An abort is always indicated by setting the MX/MR bit inactive for two or more IOM<sup>®</sup>-2 frames. The controller must react with EOM.

**Figure 21** shows an example for an abort requested by the receiver, **Figure 22** shows an example for an abort requested by the transmitter and **Figure 23** shows an example for a successful transmission.

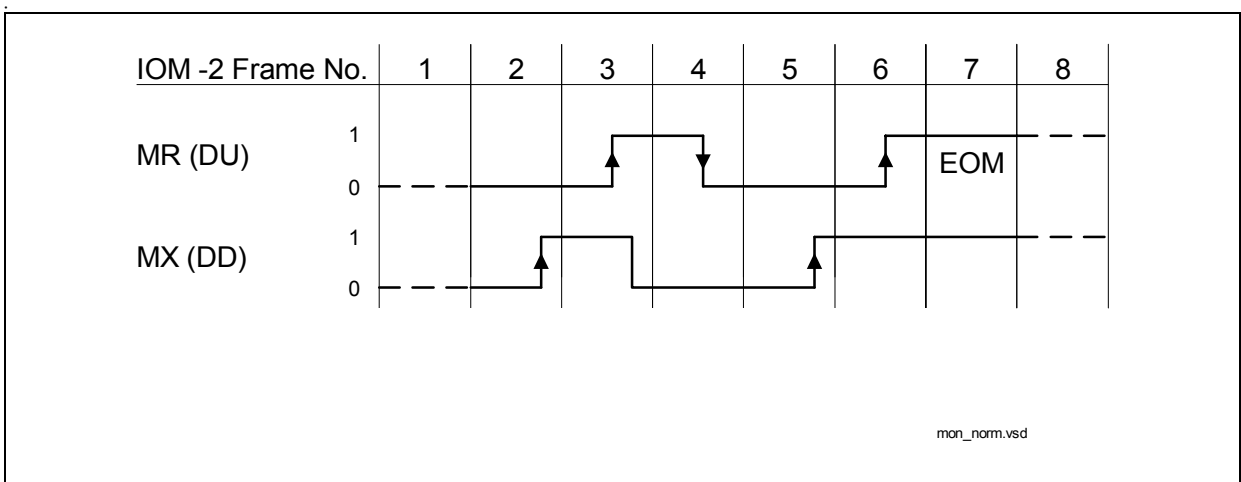
Functional Description



**Figure 21 Monitor Channel, Transmission Abort requested by the Receiver**



**Figure 22 Monitor Channel, Transmission Abort requested by the Transmitter**



**Figure 23 Monitor Channel, Normal End of Transmission**

### 2.3.3.3 MONITOR Channel Programming as a Master Device

The master mode is selected by default if one of the microcontroller interfaces is selected. The monitor data is written by the microcontroller in the MOX register and transmitted via IOM<sup>®</sup>-2 DD(DU) line to the programmed/controlled device e.g. ARCOFI-BA PSB 2161. The transfer of the commands in the MON channel is regulated by the handshake protocol mechanism with MX, MR.

### 2.3.3.4 MONITOR Channel Programming as a Slave Device

MONITOR slave mode can be selected by pinstrapping the microcontroller interface pins according to [Table 4](#). All programming data required by the device is received in the MONITOR time slot on the IOM<sup>®</sup>-2 and is transferred to the MOR register. The transfer of the commands in the MON channel is regulated by the handshake protocol mechanism with MX, MR which is described in the previous [Chapter 2.3.3.1](#).

The first byte of the MONITOR message must contain in the higher nibble the MONITOR channel address code which is '1000' for the T-SMINT<sup>®</sup>IX. The lower nibble distinguishes between a programming command and an identification command.

#### Identification Command

In order to be able to identify unambiguously different hardware designs of the T-SMINT<sup>®</sup>IX by software, the following identification command is used:

DU 1st byte value	1	0	0	0	0	0	0	0	0
DU 2nd byte value	0	0	0	0	0	0	0	0	0

The T-SMINT<sup>®</sup>IX responds to this identification sequence by sending a identification sequence:

DD 1st byte value	1	0	0	0	0	0	0	0	0
DD 2nd byte value	0	0	DESIGN				<IDENT>		

DESIGN: six bit code, specific for each device in order to identify differences in operation (see [“ID - Identification Register” on Page 175](#)).

This identification sequence is usually done once, when the T-SMINT<sup>®</sup>IX is connected for the first time. This function is used so that the software can distinguish between different possible hardware configurations. However this sequence is not compulsory.

#### Programming Sequence

The programming sequence is characterized by a '1' being sent in the lower nibble of the received address code. **The data structure after this first byte is equivalent to the structure of the serial control interface described in chapter [Chapter 2.1.1](#).**

Functional Description

DU 1st byte value	1	0	0	0	0	0	0	1
DU 2nd byte value	Header Byte							
DU 3rd byte value	R/W	Command/ Register Address						
DU 4th byte value	Data 1							
DU (nth + 3) byte value	Data n							

All registers can be read back when setting the R/W bit to '1'. The T-SMINT<sup>®</sup>IX responds by sending his IOM<sup>®</sup>-2 specific address byte (81<sub>h</sub>) followed by the requested data.

Note: Application Hint:

It is not allowed to disable the MX- and MR-control in the programming device at the same time! First, the MX-control must be disabled, then the  $\mu$ C has to wait for an End of Reception before the MR-control may be disabled. Otherwise, the T-SMINT<sup>®</sup>IX does not recognize an End of Reception.

### 2.3.3.5 Monitor Time-Out Procedure

To prevent lock-up situations in a MONITOR transmission a time-out procedure can be enabled by setting the time-out bit (TOUT) in the MONITOR configuration register (MCONF). An internal timer is always started when the transmitter must wait for the reply of the addressed device or for transmit data from the microcontroller. After 40 IOM<sup>®</sup>-2 frames (5 ms) without reply the timer expires and the transmission will be aborted with an EOM (End of Message) command by setting the MX bit to '1' for two consecutive IOM<sup>®</sup>-2 frames.

### 2.3.3.6 MONITOR Interrupt Logic

Figure 24 shows the interrupt structure of the MONITOR handler. The MONITOR Data Receive interrupt status MDR has two enable bits, MONITOR Receive interrupt Enable (MRE) and MR bit Control (MRC). The MONITOR channel End of Reception MER, MONITOR channel Data Acknowledged MDA and MONITOR channel Data Abort MAB interrupt status bits have a common enable bit MONITOR Interrupt Enable MIE.

MRE set to "0" prevents the occurrence of MDR status, including when the first byte of a packet is received. When MRE is set to "1" but MRC is set to "0", the MDR interrupt status is generated only for the first byte of a receive packet. When both MRE and MRC are set to "1", MDR is always generated and all received MONITOR bytes - marked by a 1-to-0 transition in MX bit - are stored. Additionally, a MRC set to "1" enables the control of the MR handshake bit according to the MONITOR channel protocol.

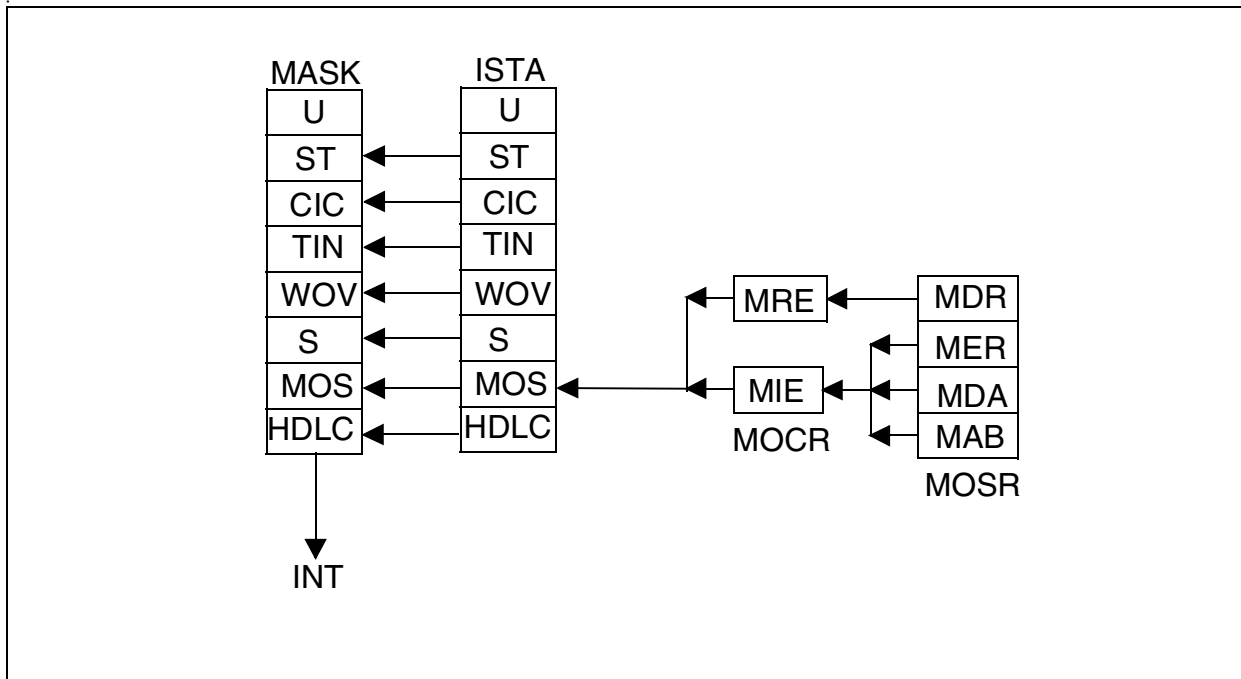


Figure 24 MONITOR Interrupt Structure

### 2.3.4 C/I Channel Handling

The Command/Indication channel carries real-time status information between the T-SMINT<sup>®</sup>IX and another device connected to the IOM<sup>®</sup>-2.

1) C/I0 channel lies in IOM<sup>®</sup>-2 channel 0 and access may be arbitrated via the TIC bus access protocol. In this case the arbitration is done in IOM<sup>®</sup>-2 channel 2.

The C/I0 channel is accessed via register CIR0 (received C/I0 data from DD) and register CIX0 (transmitted C/I0 data to DU). The C/I0 code is four bits long.

In the receive direction, the code from layer-1 is continuously monitored, with an interrupt being generated any time a change occurs (ISTA.CIC).

C/I0 only: a new code must be found in two consecutive IOM<sup>®</sup>-2 frames to be considered valid and to trigger a C/I code change interrupt status (double last look criterion).

In the transmit direction, the code written in CIX0 is continuously transmitted in C/I0.

2) A second C/I channel (called C/I1) lies in IOM<sup>®</sup>-2 channel 1 and is used to convey real time status information of the on-chip S-transceiver or an external device. The C/I1 channel consists of four or six bits in each direction. The width can be changed from 4 bit to 6 bit by setting bit CIX1.CICW.

## Functional Description

In 4-bit mode 6-bits are written whereby the higher 2 bits must be set to “1” and 6-bits are read whereby only the 4 LSBs are used for comparison and interrupt generation (i.e. the higher two bits are ignored).

The C/I1 channel is accessed via registers CIR1 and CIX1. The connection of CIR1 and CIX1 to DD and DU, respectively, can be selected by setting bit HCI\_CR.DPS\_CI1. A change in the received C/I1 code is indicated by an interrupt status without double last look criterion.

### CIC Interrupt Logic

Figure 25 shows the CIC interrupt structure.

The two corresponding status bits CIC0 and CIC1 are read in CIR0 register. CIC1 can be individually disabled by clearing the enable bit CI1E in the CIX1 register. In this case the occurrence of a code change in CIR1 will not be displayed by CIC1 until the corresponding enable bit has been set to one.

Bits CIC0 and CIC1 are cleared by a read of CIR0.

An interrupt status is indicated every time a valid new code is loaded in CIR0 or CIR1. The CIR0 is buffered with a FIFO size of two. If a second code change occurs in the received C/I channel 0 before the first one has been read, immediately after reading of CIR0 a new interrupt will be generated and the new code will be stored in CIR0. If several consecutive codes are detected, only the first and the last code are obtained at the first and second register read, respectively.

For CIR1 no FIFO is available. The actual code of the received C/I channel 1 is always stored in CIR1.

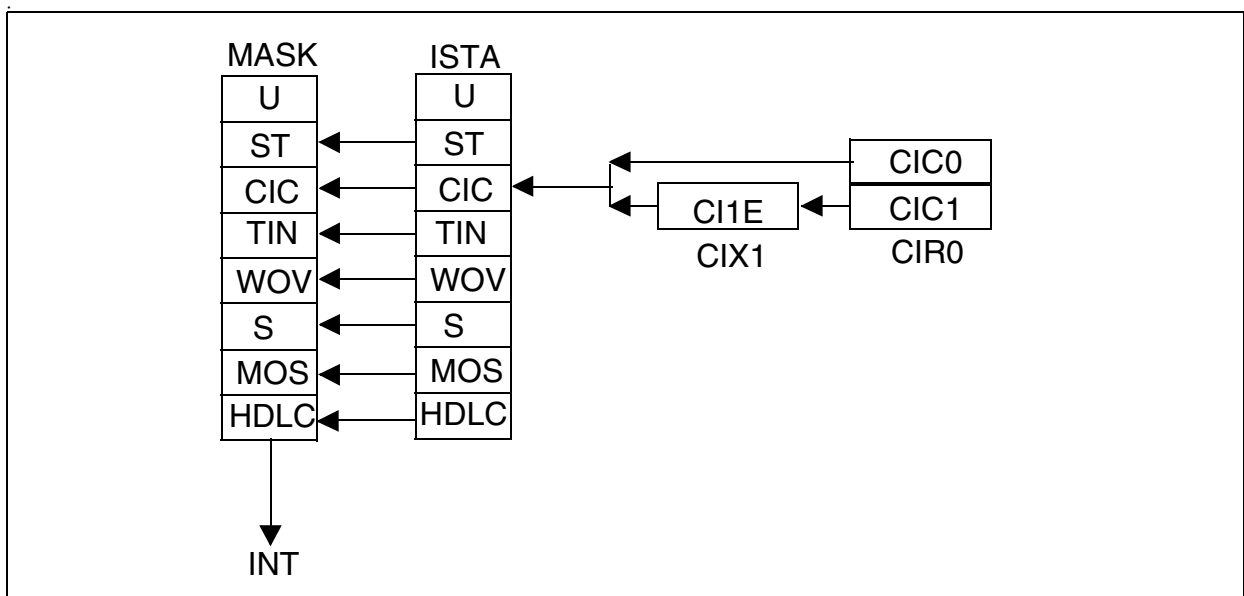


Figure 25 CIC Interrupt Structure

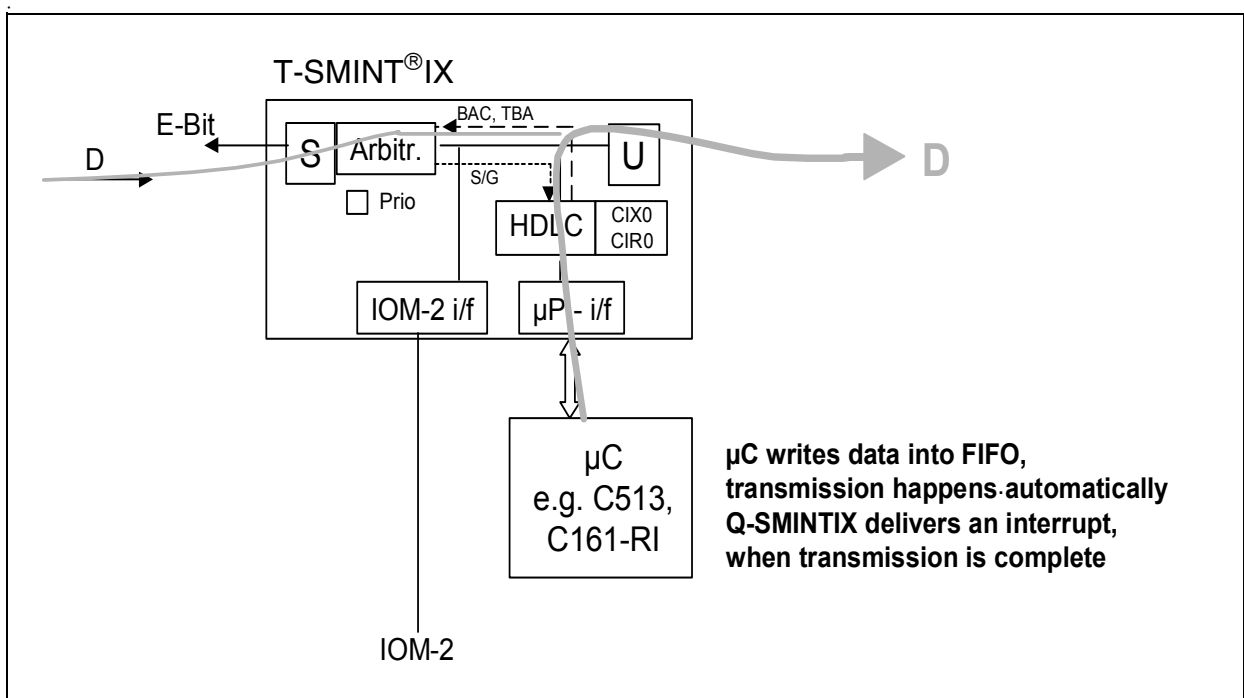


### 2.3.5 D-Channel Access Control

The upstream D-channel is arbitrated between the S-bus, the internal HDLC controller and external HDLC controllers via the TIC bus (S/G, BAC, TBA bits) according to the IOM<sup>®</sup>-2 Reference Guide<sup>1)</sup>. Further to the implementation in the INTC-Q it is possible, to set the priority (8 or 10) of all HDLC-controllers connected to IOM<sup>®</sup>-2, which is particularly useful for use of the T-SMINT<sup>®</sup>IX together with the UTAH.

#### 2.3.5.1 Application Example for D-Channel Access Control

Figure 26 shows a scenario for the local D-channel arbitration between the S-bus and the microcontroller.



**Figure 26 D-Channel Arbitration: µC has no HDLC and no Direct Access to TIC Bus**

#### 2.3.5.2 TIC Bus Handling

The TIC bus is implemented to organize the access to the C/I/O-channel and to the D-channel from up to 7 D-channels HDLC controllers. The arbitration mechanism must be activated by setting MODEH.DIM2-0=00x.

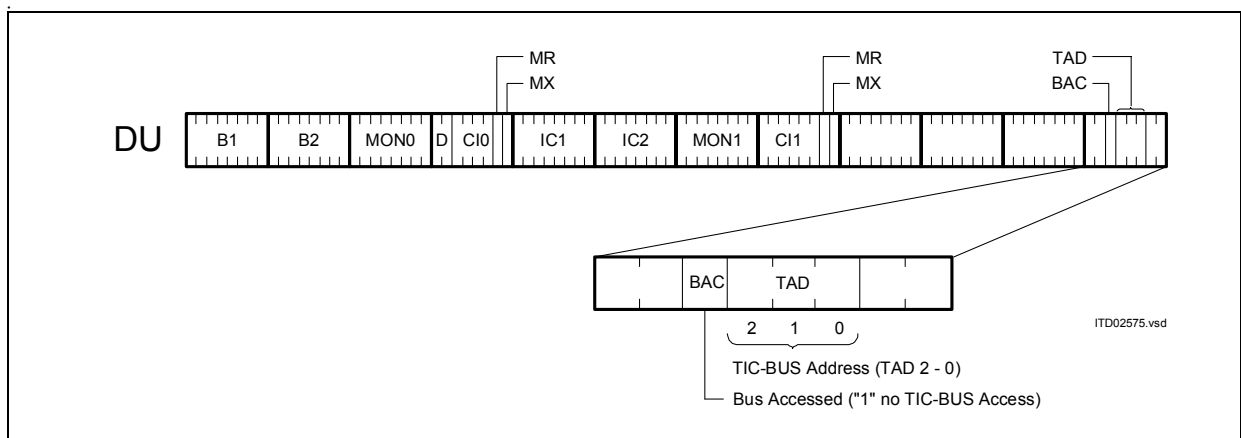
The arbitration mechanism is implemented in the last octet in IOM<sup>®</sup>-2 channel 2 of the IOM<sup>®</sup>-2 interface (see Figure 27). An access request to the TIC bus may either be generated by software (µC access to the C/I/O-channel via CIX0 register) or by an internal

<sup>1)</sup> The A/B-bit is not supported by the U-transceiver

Functional Description

or an external D-channel HDLC controller (transmission of an HDLC frame in the D-channel). A software access request to the bus is effected by setting the BAC bit in register CIX0 to '1' (resulting in BAC = '0' on IOM<sup>®</sup>-2).

In the case of an access request by the T-SMINT<sup>®</sup>IX, the Bus Accessed-bit BAC (bit 5 of last octet of CH2 on DU, see [Figure 27](#)) is checked for the status "bus free", which is indicated by a logical '1'. If the bus is free, the T-SMINT<sup>®</sup>IX transmits its individual TIC bus address TAD programmed in the CIX0 register (CIX0.TBA2-0). While being transmitted the TIC bus address TAD is compared bit by bit with the value read back on DU. If a sent bit set to '1' is read back as '0' because of the access of an external device with a lower TAD, the T-SMINT<sup>®</sup>IX withdraws immediately from the TIC bus, i.e. the remaining TAD bits are not transmitted. The TIC bus is occupied by the device which sends and reads back its address error-free. If more than one device attempt to seize the bus simultaneously, the one with the lowest address values wins. This one will set BAC=0 on TIC bus and starts D-channel transmission in the same frame.



**Figure 27 Structure of Last Octet of Ch2 on DU**

When the TIC bus is seized by the T-SMINT<sup>®</sup>IX, the bus is identified to other devices as occupied via the DU Ch2 Bus Accessed-bit state '0' until the access request is withdrawn. After a successful bus access, the T-SMINT<sup>®</sup>IX is automatically set into a lower priority class, that is, a new bus access cannot be performed until the status "bus free" is indicated in two successive frames.

If none of the devices connected to the IOM<sup>®</sup>-2 interface request access to the D and C/I0 channels, the TIC bus address 7 will be present. The device with this address will therefore have access, by default, to the D and C/I0 channels.

Note: Bit BAC (CIX0 register) should be reset by the  $\mu$ C when access is no more requested, to grant other devices access to the D and C/I0 channels.

### 2.3.5.3 Stop/Go Bit Handling

The availability of the DU D channel is indicated in bit 5 "Stop/Go" (S/G) of the last octet in DD channel 2 (Figure 28). The arbitration mechanism must be activated by setting `MODEH.DIM2-0=0x1`.

S/G = 1 : stop

S/G = 0 : go

The Stop/Go bit is available to other layer-2 devices connected to the IOM<sup>®</sup>-2 interface to determine if they can access the D channel in upstream direction.

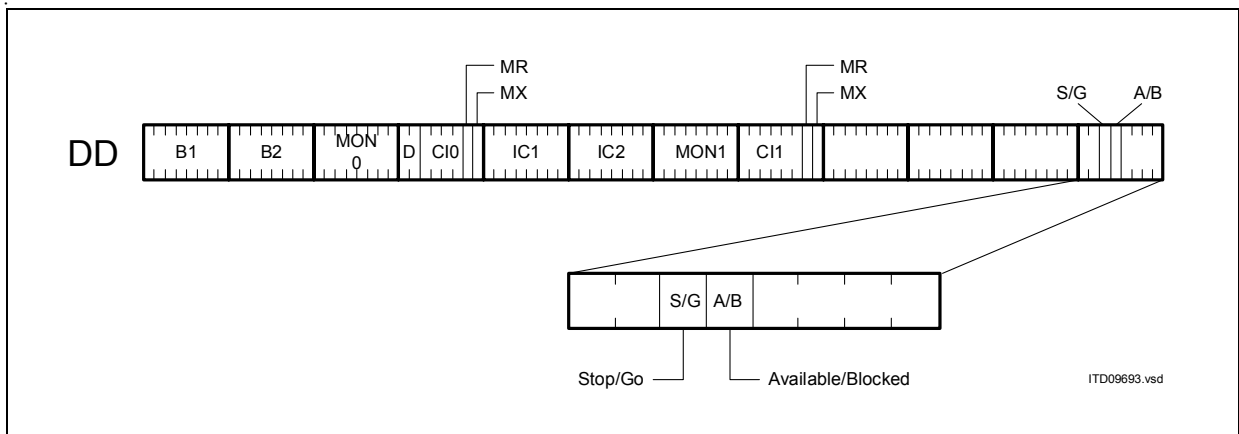


Figure 28 Structure of Last Octet of Ch2 on DD

### 2.3.5.4 D-Channel Arbitration

In intelligent NT applications (selected via register `S_MODE.MODE2-0`) the T-SMINT<sup>®</sup>IX has to share the upstream D-channel with one or more D-channel controllers on the IOM<sup>®</sup>-2 interface and with all connected TEs on the S interface.

The S-transceiver incorporates an elaborate state machine for D-channel priority handling on IOM<sup>®</sup>-2 (Chapter 2.3.5.5). For the access to the D-channel a similar arbitration mechanism as on the S interface (writing D-bits, reading back E-bits) is performed for all D-channel sources on IOM<sup>®</sup>-2. Due to this an equal and fair access is guaranteed for all D-channel sources on both the S interface and the IOM<sup>®</sup>-2 interface. The access to the upstream D-channel is handled via the S/G bit for the HDLC controllers and via E-bit for all connected terminals on S (E-bits are inverted to block the terminals on S). Furthermore, if more than one HDLC source is requesting D-channel access on IOM<sup>®</sup>-2 the TIC bus mechanism is used (see Chapter 2.3.5.2).

The arbiter permanently counts the "1s" in the upstream D-channel on IOM<sup>®</sup>-2. If the necessary number of "1s" is counted and an HDLC controller on IOM<sup>®</sup>-2 requests upstream D-channel access (BAC bit is set to 0), the arbiter allows this D-channel controller immediate access and blocks other TEs on S (E-bits are inverted). Similar as on the S-interface the priority for D-channel access on IOM<sup>®</sup>-2 can be configured to 8 or 10 (`S_CMD.DPRIO`).

**Functional Description**

The configuration settings of the T-SMINT<sup>®</sup>IX in intelligent NT applications are summarized in **Table 12**.

**Table 12 T-SMINT<sup>®</sup>IX Configuration Settings in Intelligent NT Applications**

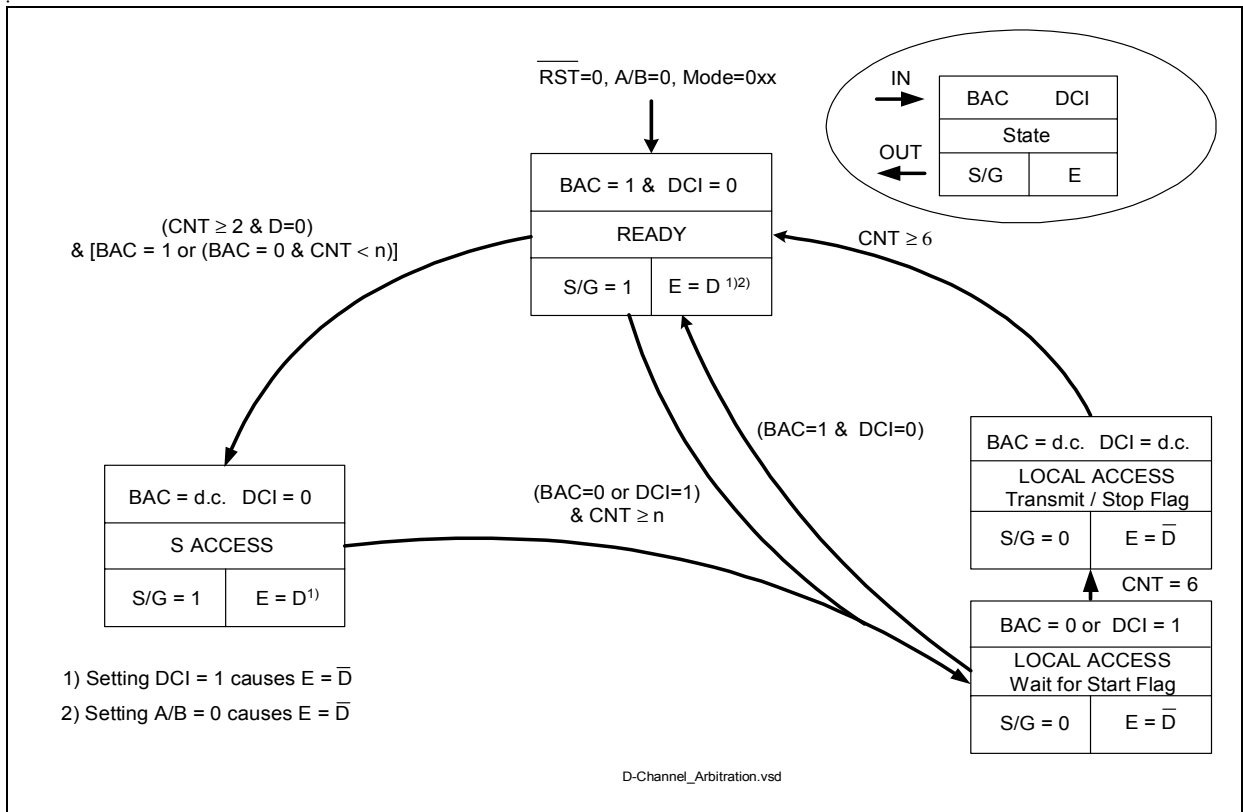
<b>Functional Block</b>	<b>Configuration Description</b>	<b>Configuration Setting</b>
Layer 1	Select Intelligent NT mode	S-Transceiver Mode Register: S_MODE.MODE0 = 0 (NT state machine) or S_MODE.MODE0 = 1 (LT-S state machine)  S_MODE.MODE1 = 1 S_MODE.MODE2 = 1
Layer 2	Enable S/G bit and TIC bus evaluation	D-channel Mode Register: MODEH.DIM2-0 = 001

Note: For mode selection in the S\_MODE register the MODE1/2 bits are used to select intelligent NT mode, MODE0 selects NT or LT-S state machine.

With the configuration settings shown above the T-SMINT<sup>®</sup>IX in intelligent NT applications provides for equal access to the D-channel for terminals connected to the S-interface and for D-channel sources on IOM<sup>®</sup>-2.

**2.3.5.5 State Machine of the D-Channel Arbiter**

**Figure 29** gives a simplified view of the state machine of the D-channel arbiter. CNT is the number of '1' on the IOM<sup>®</sup>-2 D-channel and BAC corresponds to the BAC-bit on IOM<sup>®</sup>-2. The number n depends on configuration settings (selected priority 8 or 10) and the condition of the previous transmission, i.e. if an abort was seen (n = 8 or 10, respectively) or if the last transmission was successful (n = 9 or 11, respectively).



**Figure 29 State Machine of the D-Channel Arbiter (Simplified View)<sup>1)</sup>**

**1. Local D-Channel Controller Transmits Upstream**

In the initial state ('Ready' state) neither the local D-channel sources nor any of the terminals connected to the S-bus transmit in the D-channel.

The T-SMINT<sup>®</sup>IX S-transceiver thus receives BAC = "1" (IOM<sup>®</sup>-2 DU line) and transmits S/G = "1" (IOM<sup>®</sup>-2 DD line). The access will then be established according to the following procedure:

- Local D-channel source verifies that BAC bit is set to ONE (currently no bus access).
- Local D-channel source issues TIC bus address and verifies that no controller with higher priority requests transmission (TIC bus access must always be performed even if no other D-channel sources are connected to IOM<sup>®</sup>-2).
- Local D-channel source issues BAC = "0" to block other sources on IOM<sup>®</sup>-2 and to announce D-channel access.
- T-SMINT<sup>®</sup>IX S-transceiver pulls S/G bit to ZERO ('Local Access' state) as soon as CNT ≥ n (see note) to allow sending D-channel data from the entitled source.

<sup>1)</sup> If the S-transceiver is reset by SRES.RES\_S = '1' or disabled by S\_CONF0.DIS\_TR = '1', then the D-channel arbiter is in state Ready (S/G = '1'), too. The S/G evaluation of the HDLC has to be disabled in this case; otherwise, the HDLC is not able to send data.

## Functional Description

T-SMINT<sup>®</sup>IX S-transceiver transmits inverted echo channel (E bits) on the S-bus to block all connected S-bus terminals ( $E = \bar{D}$ ).

- Local D-channel source commences with D data transmission on IOM<sup>®</sup>-2 as long as it receives S/G = "0".
- After D-channel data transmission is completed the controller sets the BAC bit to ONE.
- T-SMINT<sup>®</sup>IX S-transceiver transmits non-inverted echo ( $E = D$ ).
- T-SMINT<sup>®</sup>IX S-transceiver pulls S/G bit to ONE ('Ready' state) to block the D-channel controller on IOM<sup>®</sup>-2.

Note: If right after D-data transmission the D-channel arbiter goes to state 'Ready' and the local D-channel source wants to transmit again, then it may happen that the leading '0' of the start flag is written into the D-channel before the D-channel source recognizes that the S/G bit is pulled to '1' and stops transmission. In order to prevent unintended transitions to state 'S-Access', the additional condition  $CNT \geq 2$  is introduced. As soon as  $CNT \geq n$ , the S/G bit is set to '0' and the D-channel source may start transmission again (if TIC bus is occupied). This allows an equal access for D-channel sources on IOM<sup>®</sup>-2 and on the S interface.

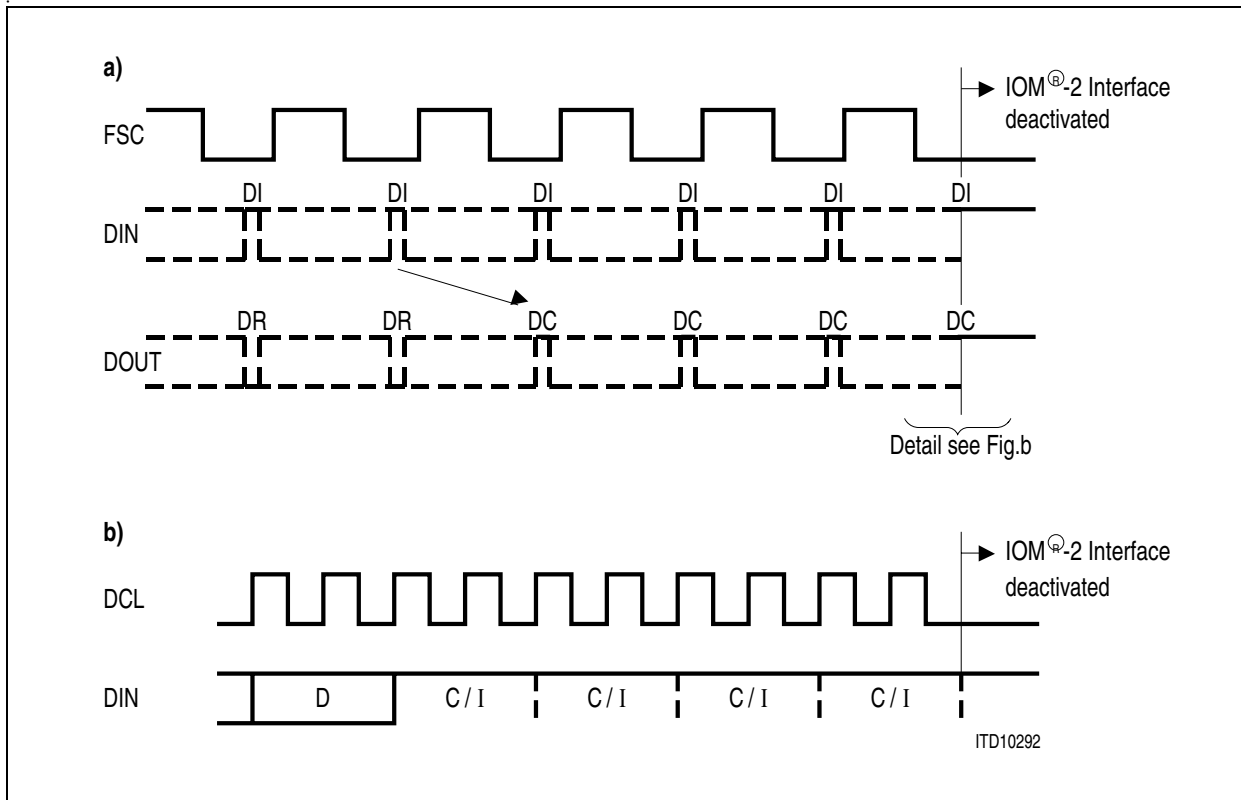
## 2. Terminal Transmits D-Channel Data Upstream

The initial state is identical to that described in the last paragraph. When one of the connected S-bus terminals needs to transmit in the D-channel, access is established according to the following procedure:

- S-transceiver recognizes that the D-channel on the S-bus is active via  $D = '0'$ .
- S-transceiver transfers S-bus D-channel data transparently through to the upstream IOM<sup>®</sup>-2 bus.

### 2.3.6 Activation/Deactivation of IOM<sup>®</sup>-2 Interface

The deactivation procedure of the IOM<sup>®</sup>-2 interface is shown in Figure 30. After detecting the code DI (Deactivation Indication) the T-SMINT<sup>®</sup>IX responds by transmitting DC (Deactivation Confirmation) during subsequent frames and stops the timing signals after the fourth frame. The clocks stop at the end of the C/I-code in IOM<sup>®</sup>-2 channel 0.



**Figure 30 Deactivation of the IOM<sup>®</sup>-2 Clocks**

### Conditions for Power-Down

If none of the following conditions is true, the IOM<sup>®</sup>-2 interface can be switched off, reducing power consumption to a minimum.

- S-transceiver is not in state 'Deactivated'
- Signal INFO0 on the S-interface
- Uk0-transceiver is not in state 'Deactivated'
- Pin DU is low (either at the IOM<sup>®</sup>-2 interface or via IOM\_CR.SPU)
- External pin EAW External Awake is low
- Bit MODE 1.CFS = '0'
- Stop on the correct place in the IOM<sup>®</sup>-2 frame. DCL must be low during power down (stop on falling edge of DCL) (see [Figure 30](#)).

A deactivated IOM<sup>®</sup>-2 can be reactivated by one of the following methods:

- Pulling pin DU line low:
  - directly at the IOM<sup>®</sup>-2 interface
  - via the  $\mu$ P interface with "Software Power Up" (IOM\_CR:SPU bit)
- Pulling pin EAW 'External Awake' low
- Setting 'Configuration Select' MODE1:CFS bit = '0'
- Level detection at the S-interface
- Activation from the U-interface

## 2.4 U-Transceiver

The state machine of the U-Transceiver is compatible to the NT state machine in the PEB 8090 documentation [9], but includes some minor changes for simplification and compliance to Ref. [1].

The U-transceiver is configured and controlled via the registers described in [Chapter 4](#). The U-transceiver is always in IOM<sup>®</sup>-2 channel 0.

### 2.4.1 4B3T Frame Structure

The 4B3T U-interface performs full duplex data transmission and reception at the U-reference point according to ETSI TS 102 080 and FTZ 1TR 220. It applies the 4B3T block code together with adaptive echo cancelling and equalization. Transmission performance shall be such, that it meets all ETSI and FTZ test loops with margin.

The U-interface is designed for data transmission on twisted pair wires in local telephone loops, with basic access to ISDN and a user bit rate of 144 kbit/s.

The following information is transmitted over the twisted pair:

- Bidirectional:
  - B1, B2, D data channels
  - 120 kHz Symbol clock
  - 1 kHz Frame
  - Activation
  - 1 kbit/s Transparent Channel (M symbol), (not implemented)
- From LT to NT side:
  - Power feeding
  - Deactivation
  - Remote control of test loops (M symbol)
- From NT to LT side:
  - Indication of monitored code violations (M symbol)

#### Performance Requirements according to FTZ 1 TR 220 (August 1991):

On the U-interface, the following transmission ranges are achieved without additional signal regeneration on the loop (bit error rate  $\leq 10^{-7}$ ):

- with noise:  $\geq 4.2$  km on wires of 0.4 mm diameter and  $\geq 8$  km on 0.6 mm wires
- without noise:  $\geq 5$  km on wires of 0.4 mm diameter and  $\geq 10$  km on 0.6 mm wires

*Note: Typical attenuation of FTZ wires of 0.4 mm diameter is about 7dB/km in contrast to ETSI wires of 0.4 mm with about 8dB/km.*

The transmission ranges can be doubled by inserting a repeater for signal regeneration.

Performance requirements according to ETSI TS 102 080 are met, too.

1 ms frames are transmitted via the U-interface, each consisting of:



**Functional Description**

- 108 symbols: 144 bit scrambled and coded B1 + B2 + D data
- 11 symbols: Barker code for both symbol and frame synchronization (not scrambled)
- 1 symbol: Ternary maintenance symbol (not scrambled)

The 108 user data symbols are split into four equally structured groups. Each group (27 ternary symbols, resp. 36 bits) contains the user data of two IOM<sup>®</sup>-2 frames in the same order (8B + 8B + 2D + 8B + 8B + 2D).

Different syncwords are used for each direction:

- Downstream from LT to NT    + + + - - - + - - + -
- Upstream from NT to LT       - + - - + - - - + + +

On the NT side, the transmitted Barker code begins 60 symbols after the received Barker code and vice versa.

**Table 13      Frame Structure A for Downstream Transmission LT to NT**

1	2	3	4	5	6	7	8	9	10	11	12
D <sub>1</sub>	D <sub>1</sub>	D <sub>1</sub>	D <sub>1</sub>	D <sub>1</sub>	D <sub>1</sub>	D <sub>1</sub>	D <sub>1</sub>	D <sub>1</sub>	D <sub>1</sub>	D <sub>1</sub>	D <sub>1</sub>
13	14	15	16	17	18	19	20	21	22	23	24
D <sub>1/2</sub>	D <sub>1/2</sub>	D <sub>1/2</sub>	D <sub>2</sub>	D <sub>2</sub>	D <sub>2</sub>	D <sub>2</sub>	D <sub>2</sub>	D <sub>2</sub>	D <sub>2</sub>	D <sub>2</sub>	D <sub>2</sub>
25	26	27	28	29	30	31	32	33	34	35	36
D <sub>2</sub>	D <sub>2</sub>	D <sub>2</sub>	D <sub>3</sub>	D <sub>3</sub>	D <sub>3</sub>	D <sub>3</sub>	D <sub>3</sub>	D <sub>3</sub>	D <sub>3</sub>	D <sub>3</sub>	D <sub>3</sub>
37	38	39	40	41	42	43	44	45	46	47	48
D <sub>3</sub>	D <sub>3</sub>	D <sub>3</sub>	D <sub>3/4</sub>	D <sub>3/4</sub>	D <sub>3/4</sub>	D <sub>4</sub>	D <sub>4</sub>	D <sub>4</sub>	D <sub>4</sub>	D <sub>4</sub>	D <sub>4</sub>
49	50	51	52	53	54	55	56	57	58	59	60
D <sub>4</sub>	D <sub>4</sub>	D <sub>4</sub>	D <sub>4</sub>	D <sub>4</sub>	D <sub>4</sub>	D <sub>5</sub>	D <sub>5</sub>	D <sub>5</sub>	D <sub>5</sub>	D <sub>5</sub>	D <sub>5</sub>
61	62	63	64	65	66	67	68	69	70	71	72
D <sub>5</sub>	D <sub>5</sub>	D <sub>5</sub>	D <sub>5</sub>	D <sub>5</sub>	D <sub>5</sub>	D <sub>5/6</sub>	D <sub>5/6</sub>	D <sub>5/6</sub>	D <sub>6</sub>	D <sub>6</sub>	D <sub>6</sub>
73	74	75	76	77	78	79	80	81	82	83	84
D <sub>6</sub>	D <sub>6</sub>	D <sub>6</sub>	D <sub>6</sub>	D <sub>6</sub>	D <sub>6</sub>	D <sub>6</sub>	D <sub>6</sub>	D <sub>6</sub>	D <sub>7</sub>	D <sub>7</sub>	D <sub>7</sub>
85	86	87	88	89	90	91	92	93	94	95	96
<b>M</b>	D <sub>7</sub>	D <sub>7</sub>	D <sub>7</sub>	D <sub>7</sub>	D <sub>7</sub>	D <sub>7</sub>	D <sub>7</sub>	D <sub>7</sub>	D <sub>7</sub>	D <sub>7/8</sub>	D <sub>7/8</sub>
97	98	99	100	101	102	103	104	105	106	107	108
D <sub>7/8</sub>	D <sub>8</sub>	D <sub>8</sub>	D <sub>8</sub>	D <sub>8</sub>	D <sub>8</sub>	D <sub>8</sub>	D <sub>8</sub>	D <sub>8</sub>	D <sub>8</sub>	D <sub>8</sub>	D <sub>8</sub>
109	110	111	112	113	114	115	116	117	118	119	120
D <sub>8</sub>	+	+	+	-	-	-	+	-	-	+	-

---

**Functional Description**

D <sub>1</sub> ... D <sub>8</sub>	Ternary 2B + D data of IOM <sup>®</sup> -2 frames 1 ... 8
M	Maintenance symbol
+, -	Syncword

Functional Description

**Table 14 Frame Structure B for Upstream Transmission NT to LT**

1	2	3	4	5	6	7	8	9	10	11	12
U <sub>1</sub>	U <sub>1</sub>	U <sub>1</sub>	U <sub>1</sub>	U <sub>1</sub>	U <sub>1</sub>	U <sub>1</sub>	U <sub>1</sub>	U <sub>1</sub>	U <sub>1</sub>	U <sub>1</sub>	U <sub>1</sub>
13	14	15	16	17	18	19	20	21	22	23	24
U <sub>1/2</sub>	U <sub>1/2</sub>	U <sub>1/2</sub>	U <sub>2</sub>	U <sub>2</sub>	U <sub>2</sub>	U <sub>2</sub>	U <sub>2</sub>	U <sub>2</sub>	U <sub>2</sub>	U <sub>2</sub>	U <sub>2</sub>
25	26	27	28	29	30	31	32	33	34	35	36
M	U <sub>2</sub>	U <sub>2</sub>	U <sub>2</sub>	U <sub>3</sub>	U <sub>3</sub>	U <sub>3</sub>	U <sub>3</sub>	U <sub>3</sub>	U <sub>3</sub>	U <sub>3</sub>	U <sub>3</sub>
37	38	39	40	41	42	43	44	45	46	47	48
U <sub>3</sub>	U <sub>3</sub>	U <sub>3</sub>	U <sub>3</sub>	U <sub>3/4</sub>	U <sub>3/4</sub>	U <sub>3/4</sub>	U <sub>4</sub>	U <sub>4</sub>	U <sub>4</sub>	U <sub>4</sub>	U <sub>4</sub>
49	50	51	52	53	54	55	56	57	58	59	60
U <sub>4</sub>	-	+	-	-	+	-	-	-	+	+	+
61	62	63	64	65	66	67	68	69	70	71	72
U <sub>4</sub>	U <sub>4</sub>	U <sub>4</sub>	U <sub>4</sub>	U <sub>4</sub>	U <sub>4</sub>	U <sub>5</sub>	U <sub>5</sub>	U <sub>5</sub>	U <sub>5</sub>	U <sub>5</sub>	U <sub>5</sub>
73	74	75	76	77	78	79	80	81	82	83	84
U <sub>5</sub>	U <sub>5</sub>	U <sub>5</sub>	U <sub>5</sub>	U <sub>5</sub>	U <sub>5</sub>	U <sub>5/6</sub>	U <sub>5/6</sub>	U <sub>5/6</sub>	U <sub>6</sub>	U <sub>6</sub>	U <sub>6</sub>
85	86	87	88	89	90	91	92	93	94	95	96
U <sub>6</sub>	U <sub>6</sub>	U <sub>6</sub>	U <sub>6</sub>	U <sub>6</sub>	U <sub>6</sub>	U <sub>6</sub>	U <sub>6</sub>	U <sub>6</sub>	U <sub>7</sub>	U <sub>7</sub>	U <sub>7</sub>
97	98	99	100	101	102	103	104	105	106	107	108
U <sub>7</sub>	U <sub>7</sub>	U <sub>7</sub>	U <sub>7</sub>	U <sub>7</sub>	U <sub>7</sub>	U <sub>7</sub>	U <sub>7</sub>	U <sub>7</sub>	U <sub>7/8</sub>	U <sub>7/8</sub>	U <sub>7/8</sub>
109	110	111	112	113	114	115	116	117	118	119	120
U <sub>8</sub>	U <sub>8</sub>	U <sub>8</sub>	U <sub>8</sub>	U <sub>8</sub>	U <sub>8</sub>	U <sub>8</sub>	U <sub>8</sub>	U <sub>8</sub>	U <sub>8</sub>	U <sub>8</sub>	U <sub>8</sub>

U<sub>1</sub> ... U<sub>8</sub> Ternary 2B + D data of IOM<sup>®</sup>-2 frames 1... 8

M Maintenance symbol

+, - Syncword

### 2.4.2 Maintenance Channel

The 4B3T frame structure provides a 1 kbit/s M(aintenance)-channel for the transfer of remote loopback commands and error indications.

#### Loopback Commands

The LT station uses the M-channel to request remote loopbacks. Loopback commands are coded with a series of '0' and '+' symbols.

- A continuous series of '+' requests for loopback 2 activation in the NT
- A continuous series of '0' requests for deactivation of any loopback

The NT station reacts as soon as the pattern has been detected in 8 consecutive symbols.

#### Error Indications

The NT U-transceiver reports line code violations via the M-channel to the exchange by setting one M-Bit to '+' polarity.

#### Transparent Messages

The exchange of Transparent Messages via the Transparent Channel is not supported by the T-SMINT<sup>®</sup> IX.

### 2.4.3 Coding from Binary to Ternary Data

Each 4 bit block of binary data is coded into 3 ternary symbols of MMS 43 block code according to [Table 15](#).

The number of the next column to be used, is given at the right hand side of each block. The left hand signal elements in the table (both ternary and binary) are transmitted first.

**Table 15 MMS 43 Coding Table**

	S1	S2	S3	S4
t →	t →	t →	t →	t →
0 0 0 1	0 - + 1	0 - + 2	0 - + 3	0 - + 4
0 1 1 1	- 0 + 1	- 0 + 2	- 0 + 3	- 0 + 4
0 1 0 0	- + 0 1	- + 0 2	- + 0 3	- + 0 4
0 0 1 0	+ - 0 1	+ - 0 2	+ - 0 3	+ - 0 4
1 0 1 1	+ 0 - 1	+ 0 - 2	+ 0 - 3	+ 0 - 4
1 1 1 0	0 + - 1	0 + - 2	0 + - 3	0 + - 4
1 0 0 1	+ - + 2	+ - + 3	+ - + 4	- - - 1

Functional Description

**Table 15 MMS 43 Coding Table (cont'd)**

				S1	S2	S3	S4
0	0	1	1	0 0 + 2	0 0 + 3	0 0 + 4	- - 0 2
1	1	0	1	0 + 0 2	0 + 0 3	0 + 0 4	- 0 - 2
1	0	0	0	+ 0 0 2	+ 0 0 3	+ 0 0 4	0 - - 2
0	1	1	0	- + + 2	- + + 3	- - + 2	- - + 3
1	0	1	0	+ + - 2	+ + - 3	+ - - 2	+ - - 3
1	1	1	1	+ + 0 3	0 0 - 1	0 0 - 2	0 0 - 3
0	0	0	0	+ 0 + 3	0 - 0 1	0 - 0 2	0 - 0 3
0	1	0	1	0 + + 3	- 0 0 1	- 0 0 2	- 0 0 3
1	1	0	0	+ + + 4	- + - 1	- + - 2	- + - 3

**2.4.4 Decoding from Ternary to Binary Data**

Decoding is done in the reverse manner of coding. The received blocks of 3 ternary symbols are converted into blocks of 4 bits. The decoding algorithm is given in [Table 16](#).

As in the encoding table, the left hand symbol of each block (both binary and ternary) is the first bit and the right hand is the last. If a ternary block "0 0 0" is received, it is decoded to binary "0 0 0 0". This pattern usually occurs only during deactivation.

**Table 16 4B3T Decoding Table**

Ternary Block			Binary Block			
0 0 0,	+ 0 +,	0 - 0	0	0	0	0
0 - +			0	0	0	1
+ - 0			0	0	1	0
0 0 +,	- - 0		0	0	1	1
- + 0			0	1	0	0
0 + +,	- 0 0		0	1	0	1
- + +,	- - +		0	1	1	0
- 0 +			0	1	1	1
+ 0 0,	0 - -		1	0	0	0
+ - +,	- - -		1	0	0	1
+ + -,	+ - -		1	0	1	0
+ 0 -			1	0	1	1
+ + +,	- + -		1	1	0	0

Functional Description

**Table 16** 4B3T Decoding Table (cont'd)

0 + 0,	- 0 -	1	1	0	1
0 + -		1	1	1	0
+ + 0,	0 0 -	1	1	1	1

**2.4.4.1 Monitoring of Code Violations**

The running digital sum monitor (RDSM) computes the running digital sum from the received ternary symbols by adding the polarity of the received user data (+ 1, 0, -1). At the end of each block, the running digital sum is supposed to reflect the number of the next column in [Table 15](#).

A code violation has occurred if the running digital sum is less than one or more than four at the end of a ternary block, or if the ternary block 0 0 0 (three user symbols with zero polarity) is found in the received data.

If at the end of a ternary block no error was found, the running digital sum retains its current value. If the counter value is greater than 4, it is set to 4 at the beginning of the next ternary block, if its value is 0 or less, it is set to one. So after a code violation has been detected, the RDSM synchronizes itself within a period depending on the received data pattern. Note there are some transmission errors which do not cause a code violation.

**2.4.4.2 Block Error Counter (RDS Error Counter)**

The T-SMINT<sup>®</sup>IX provides a block error counter. This feature allows monitoring the transmission quality on the U-interface.

On the NT side a block error is given, if a U-frame with at least one code violation has been detected (near-end block error). In the following frame the NT transmits a positive M-symbol upstream.

On the LT side a block error is given, if a U-frame with at least one code violation has been detected (near-end block error) or a positive M-symbol has been received from the NT (far-end block error).

The current status of the block error counter can be retrieved by the system interface. When the block error counter is read (register RDS), it is automatically reset. The counter is enabled in all states listed in [Table 17](#) and reset in all other states. The counter is saturated at its maximum value (255).

**Table 17** Active States

SBC Synchronizing
Wait for INFO U4H
Transparent

**Functional Description**

Note that every frame with a detected code violation causes about 10 to 20 binary bit errors on average. So a bit error rate of  $10^{-7}$  in both directions is equivalent to 2 detected frame errors within 1000 s in the LT (1 frame error detected in the NT and transmitted via M-symbol).

**2.4.5 Scrambler / Descrambler**

**Scrambler**

The binary transmit data from the IOM<sup>®</sup>-2 interface is scrambled with a polynomial of 23 bits, before it is sent to the 4B3T coder. The scrambler polynomial is::

$$z^{-23} + z^{-18} + 1$$

**Descrambler**

The received data (after decoding from ternary to binary) is multiplied with a polynomial of 23 bits in order to recover the original data before it is forwarded to the IOM<sup>®</sup>-2 interface. The descrambler is self synchronized after 23 symbols. The descrambler polynomial is::

$$z^{-23} + z^{-5} + 1$$

The scrambling / descrambling process is controlled fully by the T-SMINT<sup>®</sup>IX. Hence, no influence can be taken by the user.

**2.4.6 Command/Indication Codes**

Both commands and indications depend on the data direction. **Table 18** presents all defined C/I codes. A new command or indication will be recognized as valid after it has been detected in two successive IOM<sup>®</sup>-2 frames (double last-look criterion).

Note: Unconditional C/I-commands must be applied for at least 4 IOM<sup>®</sup>-2 frames for reliable recognition by the U-transceiver.

Indications are strictly state orientated. Refer to the state diagrams in the following sections for commands and indications applicable in various states.

**Table 18 C/I Codes**

Code	IN	OUT
0000	TIM	DR
0001	–	–
0010	–	–

**Functional Description**

0011	LTD	–
0100	–	RSY
0101	SSP	–
0110	DT	–
0111	–	–
1000	AR	AR
1001	reserved <sup>1)</sup>	–
1010	–	ARL
1011	–	–
1100	AI	AI
1101	RES	–
1110	–	AIL
1111	DI	DC

<sup>1)</sup> C/I code '1010' must not be input to the U-transceiver.

AI	Activation Indication	DI	Deactivation Indication.
AIL	Activation Indication Loop 2	DR	Deactivation Request
AR	Activation Request	LTD	LT Disable
ARL	Activation Request Local Loop	RES	Reset
DT	Data Through Mode	RSY	Resynchronization Indication
DC	Deactivation Confirmation	SSP	Send-Single-Pulses
		TIM	Timing Request

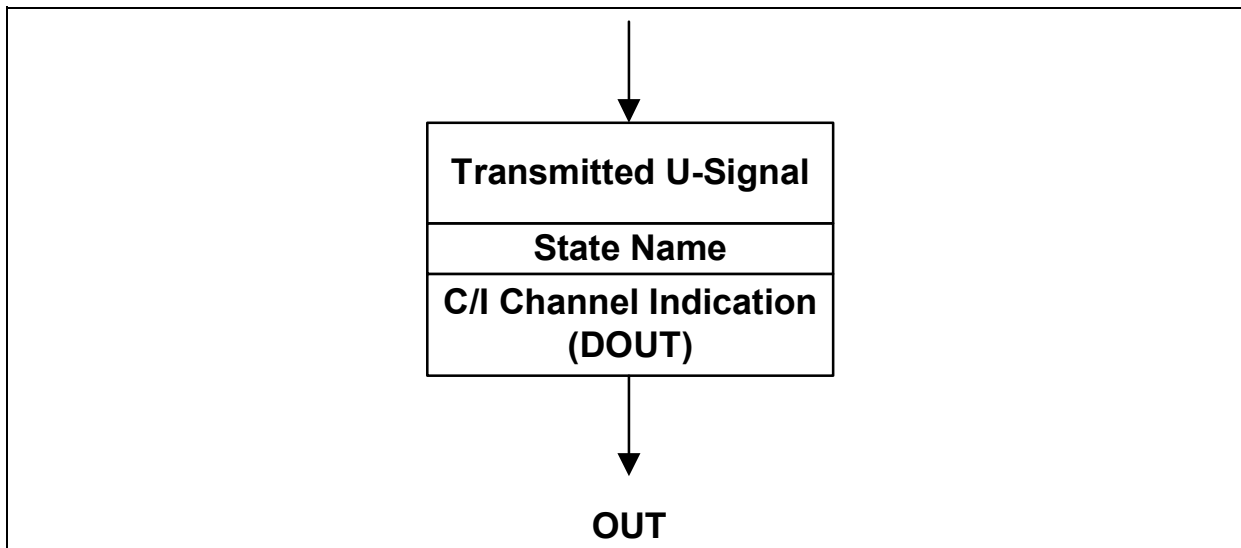
## 2.4.7 State Machine for Activation and Deactivation

### 2.4.7.1 State Machine Notation

The following state diagram describes all the actions/reactions resulting from any command or detected signal and resulting from the various operating modes.

The states with its inputs and outputs are interpreted as shown below:





**Figure 31 State Diagram Example**

Each state has one or more transitions to other states. These transitions depend on certain conditions which are noted next to the transition lines. These conditions are the only possibility to leave a state. If more conditions have to be fulfilled together, they are put into parentheses with an AND operator (&). If more than one condition leads to the same transition, they are put into parentheses with an OR operator (|). The meaning of a condition may be inverted by the NOT operator (/). Only the described states and transitions exist.

At some transitions, an internal timer is started. The start of a timer is indicated by TxS ('x' is the timer number). Transitions that are caused if a timer has expired are labelled by TxE.

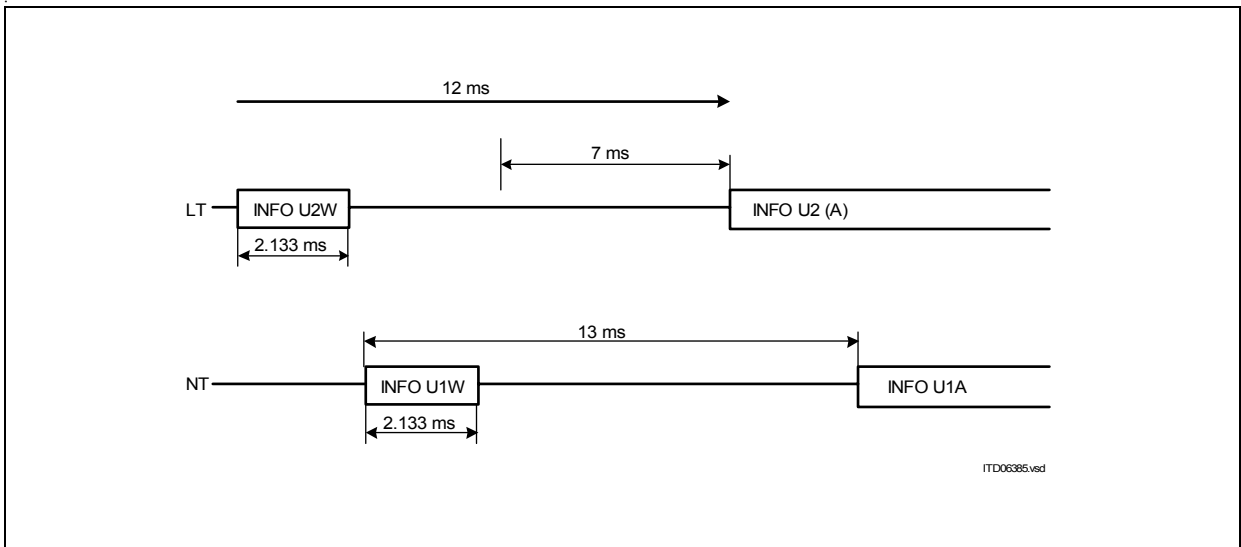
Some conditions lead to the same target state. To reduce the number of lines and the complexity of the figures, a state named "ANY STATE" acts on behalf of all state.

The state machines are designed to cope with all ISDN devices with IOM<sup>®</sup>-2 standard interfaces. Undefined situations are excluded. In any case, the involved devices will enter defined conditions as soon as the line is deactivated.

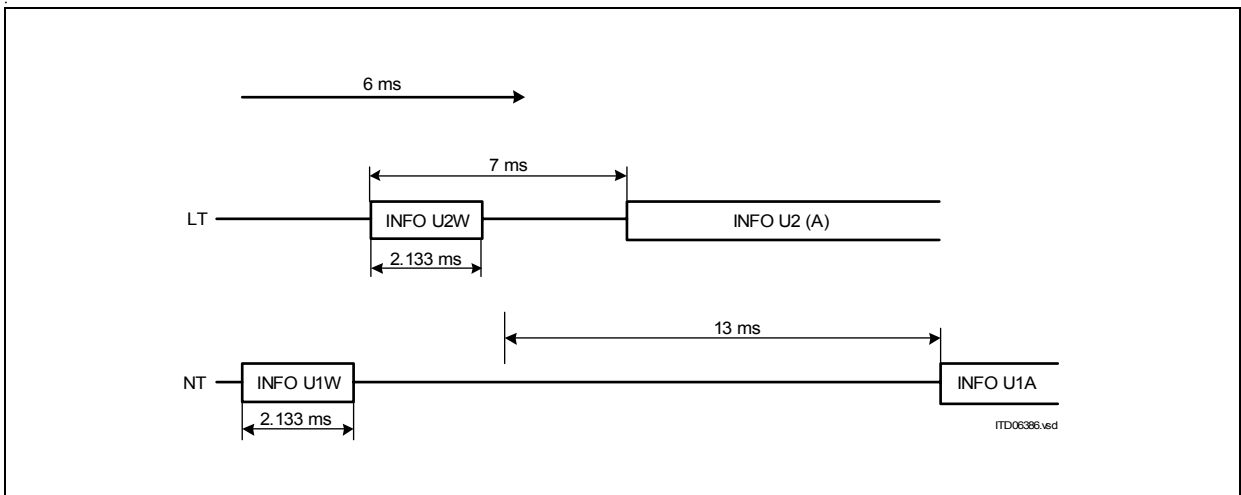
### 2.4.7.2 Awake Protocol

For the awake process two signals are defined 'U1W' and 'U2W'. Depending on the call direction (up-, downstream) U1W and U2W are interpreted as awake or acknowledge signals (see figures below).

Functional Description



**Figure 32** Awake Procedure initiated by the LT



**Figure 33** Awake Procedure initiated by the NT

**Acting as Calling Station**

After sending the awake signal, the awaking U-transceiver waits for the acknowledge. After 12 ms, the awake signal is repeated, if no acknowledge has been recognized.

If an acknowledge signal has been recognized, the U-transceiver waits for its possible repetition (in case of previous coincidence of two awake signals). If no repetition was detected, the U-transceiver starts transmitting U2 with a delay of 7 ms.

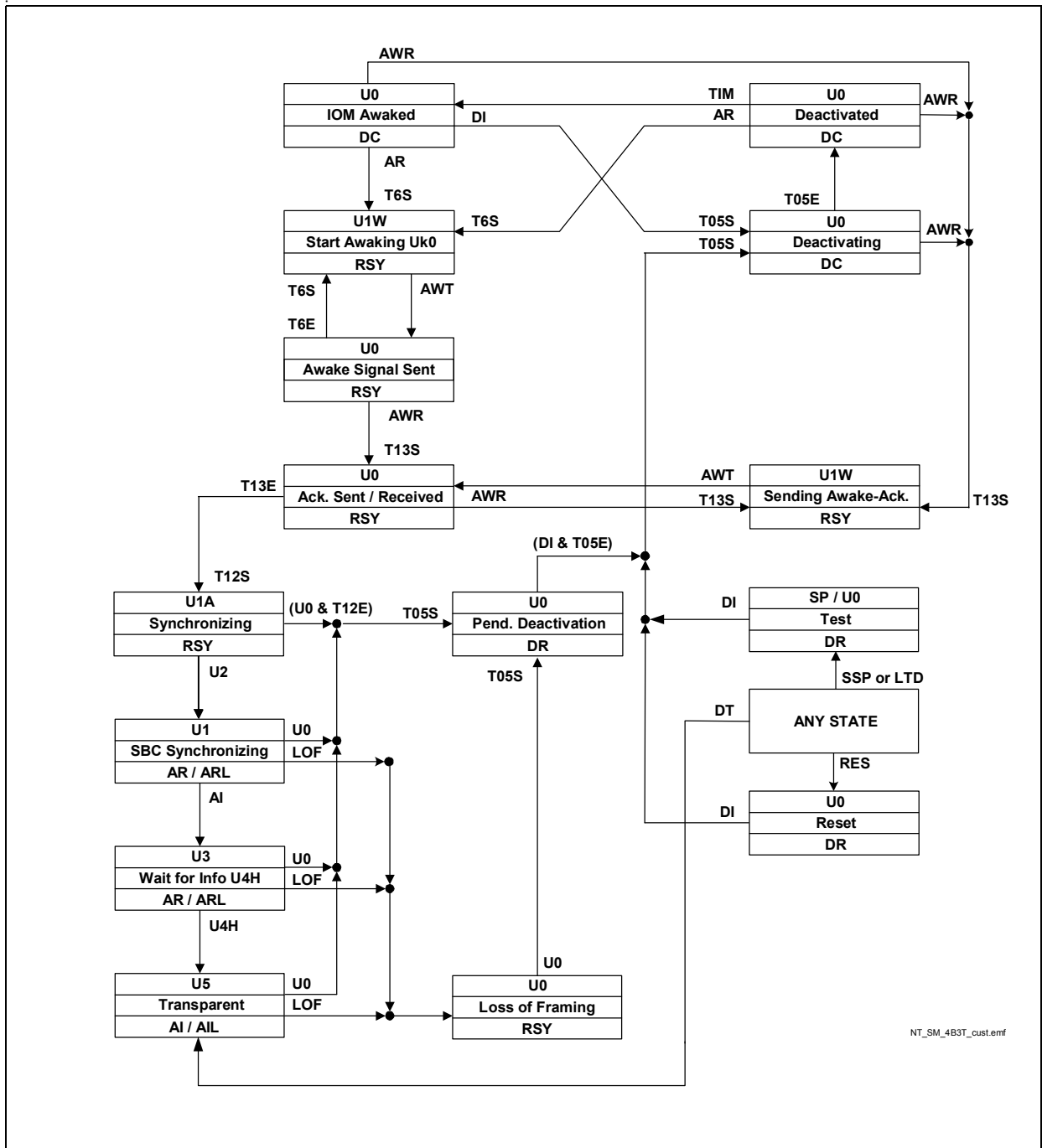
If such a repetition is detected, the U-transceiver interprets it as an awake signal and behaves like a device awoken by the far end.

**Acknowledging a Wake-Up Call**

If a deactivated device detects an awake signal on U, an acknowledge signal is sent out. After that, the U-transceiver waits for a possible repetition of the awake signal (in case the acknowledge hasn't been recognized).

If no repetition is found, the awoken U-transceiver starts sending U2 after 7 ms from detecting the awake signal. If a repeated awake signal is found, the procedure in the awoken U-transceiver starts again.

### 2.4.7.3 NT State Machine (IEC-T / NTC-T Compatible)



NT\_SM\_4B3T\_cust Lemf

**Figure 34 NT State Machine (IEC-T/NTC-T Compatible)**

Note: The test modes ‘Data Through’ (DT) and ‘Send Single Pulses’ (SSP) are invoked via C/I codes ‘DT’ and ‘SSP’ according to [Table 18](#). Setting SRES.RES\_U to ‘1’ forces the U-transceiver into test mode ‘Quiet Mode’ (QM), i.e. the U-transceiver is hardware reset.

Functional Description

**Table 19 Differences to the former NT-SM of the IEC-T/NTC-T**

No.	State/ Signal	Change	Comment
1.	State 'Deact. Request Rec.'	split into 3 states - 'Pend. Deactivation 1' - 'Reset' State - 'Test' State	simplifies SM implementation
2.	State 'Loss of Framing'	new inserted, results in different behavior in state 'Transparent', no return to normal transmission possible after detection of LOF	compliance to ETSI TS 102 080, corresponds to state NT1.10
3.	C/I-code LTD	new inserted	
4.	State 'Power Down'	renamed to state 'Deactivated'	for consistency reasons to 2B1Q
5.	State 'Data Transmission'	renamed to state 'Transparent'	
6.	Timer variables introduced	Name Duration	see <a href="#">Table 20</a>

**2.4.7.4 Inputs to the U-Transceiver**

**C/I-Commands**

- AI      Activation Indication  
The downstream device issues this indication to announce that layer 1 is available. The U-transceiver in turn informs the LT side by transmitting U3.
- AR      Activation Request  
The U-transceiver is requested to start the activation process (if not already done) by sending the wake-up signal U1W.
- DI      Deactivation Indication  
This indication is used during a deactivation procedure to inform the U-transceiver that it may enter the 'Deactivated' (power-down) state.
- DT      Data Through Test Mode  
This unconditional command is used for test purposes only and forces the U-transceiver into state 'Transparent'.

**Functional Description**

- RES      Reset  
Unconditional command which resets the U-transceiver.
- SSP      Send Single Pulses  
Unconditional command which requests the transmission of single pulses on the U-interface.
- TIM      Timing  
The U-transceiver is requested to enter state 'IOM Awaked'.

**U-Interface Events**

- U0      U0 detected  
U0 is recognized after 120 symbols (1ms) with zero level in a row. Detection may last up to 2 ms.
- U2      U2 detected  
The U-transceiver detects U2 if continuous binary 0's are found after descrambling and LOF = 0 for at least 8 subsequent U-frames. U2 is detected after 8 to 9 ms.
- U4H      U4H detected  
U4H is recognized, if the U-transceiver detects 16 subsequent binary 1's after descrambling.
- AWR      Awake signal (U2W) detected
- AWT      Awake signal (U1W) has been sent out
- LOF      Loss of Framing on U-interface
- TxE      Timer ended, the started timer has expired

**Timers**

The start of timers is indicated by TxS, the expiry by TxE. The following table shows which timers are used.

**Table 20      Timers**

Timer	Duration (ms)	Function	State
T05	0.5	C/I code recognition	Pend. Deactivation, Deactivating
T6	6	Supervises U1W repetition	Start Awaking Uk0

Functional Description

**Table 20 Timers (cont'd)**

Timer	Duration (ms)	Function	State
T12	12	Prevents the U-transceiver in state Synchronizing from immediate transition to state 'Pend. Deactivation' if U0 is detected	Synchronizing
T13	13	Supervises U2W repetition	Ack. sent / received Sending awake-ack.

**2.4.7.5 Outputs of the U-Transceiver**

Below the signals and indications are summarized that are issued on IOM<sup>®</sup>-2 (C/I indications) and on the U-interface (predefined U-signals).

**C/I Indications**

- AI      Activation Indication  
The U-transceiver has established transparency of transmission. The downstream device is requested to establish layer-1 functionality.
- AIL     Activation Indication Loop-back  
The U-transceiver has established transparency of transmission. The downstream device is requested to establish a loopback #2.
- AR      Activation Request  
The downstream device is requested to start the activation procedure.
- ARL     Activation Request Loop-back  
The U-transceiver has detected a loop-back 2 command in the M-channel and has established transparency of transmission in the direction IOM<sup>®</sup> to U-interface. The downstream device is requested to start the activation procedure and to establish a loopback #2.
- DC      Deactivation Confirmation  
Idle code on the IOM<sup>®</sup>-2 interface.
- DR      Deactivation Request  
The U-transceiver has detected a deactivation request command from the LT-side for a complete deactivation. The downstream device is requested to start the deactivation procedure.
- LTD     LT Disable  
This unconditional command forces the U-transceiver to state 'Test', where it transmits U0. No further action is initiated.

**Functional Description**

**RSY** Resynchronizing Indication  
 RSY informs the downstream device that the U-transceiver is not synchronous.

**Signals on U-Interface**

The signals U0, U1W, U1A, U1, U3, U5 and SP are transmitted on the U-interface. They are defined in [Table 29](#).

**Signals on IOM<sup>®</sup>-2**

The Data (B+B+D) is set to all '1's in all states besides the states listed in [Table 17](#).

**Dependence of Outputs**

The M-symbol output in states with valid M-symbol output its value is set according to [Table 21](#)

**Table 21 M Symbol Output**

<b>RDS Error</b>	not detected	detected
<b>M Symbol Output</b>	'0'	'+'

**Table 22 Signal Output on Uk0 in State Test**

<b>Input</b>	C/I-Code SSP applied	all other except C/I-Code 'DI'
<b>Signal Output on Uk0</b>	SP	U0

**Table 23 C/I-Code Output**

<b>Loopback Command</b>	<b>SBC Synchronizing</b>	<b>Wait for Info U4H</b>	<b>Transparent</b>
not received	AR	AR	AI
received	ARL	ARL	AIL

**2.4.7.6 NT-States**

In this section each state is described with its function.



---

## Functional Description

### Acknowledge Sent / Receive

After having sent the awake signal, the U-transceiver has received the acknowledge wake tone. If being awoken the U-transceiver has sent the acknowledge. In both cases the U-transceiver waits for possible repetition or time-out.

### Awake Signal Sent

The NT has sent out the awake signal U1W and waits now for a response. If the LT does not react in time timer T6 expires and the NT repeats its wake-up call.

### Deactivated

Only in "Deactivated" state the device may enter the power-down mode.

### Deactivating

State Deactivating assures that the C/I-channel code DC is issued four times before entering the 'Deactivated' state.

### IOM<sup>®</sup> Awaked

The U-transceiver is deactivated, but may not enter the power-down mode.

### Loss of Framing

This state is entered on loss of framing (LOF). No signal is transmitted on the U-interface. A receiver-reset is performed by.

Note that there is no return to the 'Transparent' state that has been possible before in the former IEC-T based state machine.

### Pending Deactivation

The U-transceiver has received U0. The U-transceiver remains at least 0.5ms in this state before it accepts DI.

### SBC Synchronizing

The NT is now synchronized and indicates this by AR/ARL towards the downstream device. The NT waits for the acknowledge 'AI' from the downstream device.

### Sending Awake-Ack.

On the receipt of the awake signal U2W the U-transceiver responds with the transmission of U1W.

---

## Functional Description

### Start Awakening Uk0

On the receipt of AR in the C/I-channel the U-transceiver sends the awake signal U1W to start an activation.

### Synchronizing

After the successful awake procedure the U-transceiver trains its receiver coefficients until it is able to detect the signals U2.

### Reset

In state 'Reset' a software-reset is performed.

### Test

State "Test" is entered when the unconditional commands C/I=SSP is applied. The test signal SSP is issued as long as pin SSP is active or C/I=SSP is applied.

### Transparent

The transmission line is fully activated. User data is transparently exchanged by U4/U5. Transparent state is entered in the case of a loopback 2. The downstream device is informed by C/I code AI that the transparent state has been reached

Note that in contrast to the former IEC-T state machine there is no resynchronization mechanism. Once loss of framing (LOF) has been detected a deactivation is initiated.

### Wait for Info U4H

The NT is synchronized and waits now for the permission (U4H) to go to the 'Transparent' state.

## 2.4.8 U-Transceiver Interrupt Structure

The U-Interrupt Status register (ISTAU) contains the interrupt sources of the U-Transceiver (**Figure 35**). Each source can be masked by setting the corresponding bit of the U-Interrupt Mask register (MASKU) to '1'. Such masked interrupt status bits are not indicated when ISTAU is read and do not generate an interrupt request.

The ISTAU register is cleared on read access. The interrupt sources of the ISTAU register (UCIR, RDS, 1ms) need not be evaluated.

When at time t1 an interrupt source generates an interrupt, all further interrupts are collected. Reading the ISTAU register clears all interrupts set before t1, even if masked. All interrupts, which are flagged after t1 remain active. After the ISTAU read access, the next unmasked interrupt will generate the next interrupt at time t2. After t2 it is possible to reprogram the MASKU register, so that all interrupts, which arrived between t1 and t2 are accessible.

Functional Description

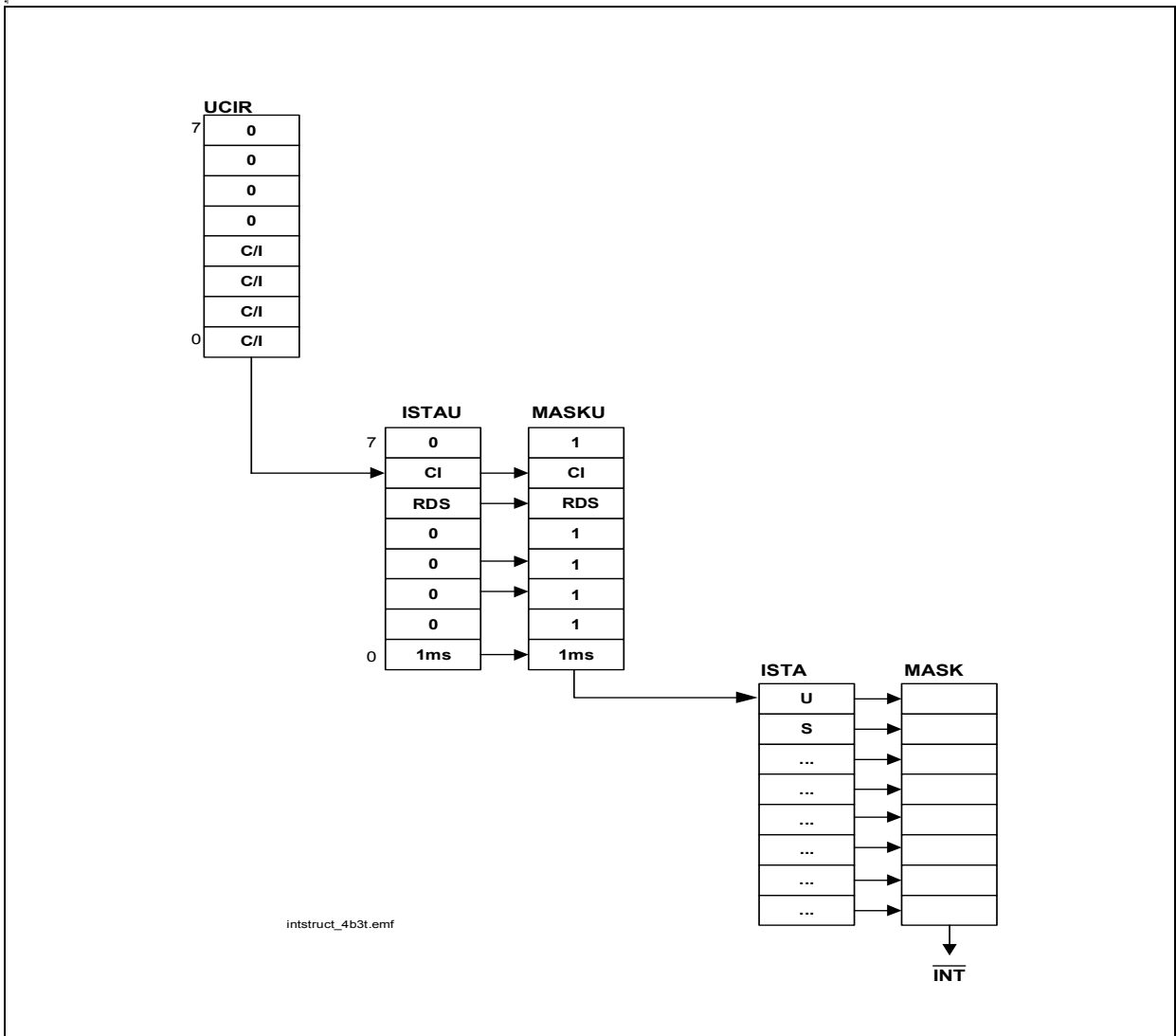


Figure 35 Interrupt Structure U-Transceiver

## 2.5 S-Transceiver

The S-Transceiver offers the NT and LT-S mode state machines described in the User’s Manual V3.4 [8].

The S-transceiver lies in IOM<sup>®</sup>-2 channel 1 (default) and is configured and controlled via the registers described in [Chapter 4.5](#). The state machine is set to NT mode (default) but can be set to LT-S mode via register programming.

The TE mode (S-transceiver TE mode, U-transceiver disabled) is not supported.

### 2.5.1 Line Coding, Frame Structure

#### Line Coding

The following figure illustrates the line code. A binary ONE is represented by no line signal. Binary ZEROs are coded with alternating positive and negative pulses with two exceptions:

For the required frame structure a code violation is indicated by two consecutive pulses of the same polarity. These two pulses can be adjacent or separated by binary ONES. In bus configurations a binary ZERO always overwrites a binary ONE.

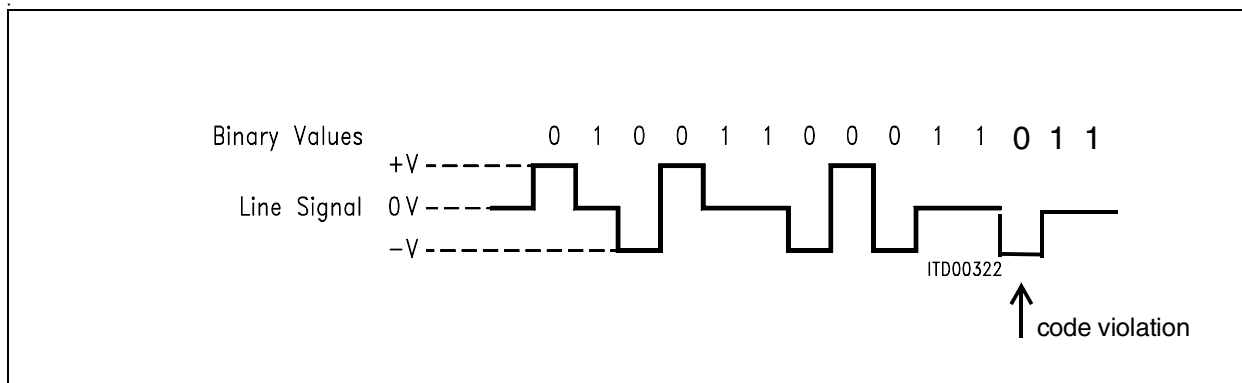
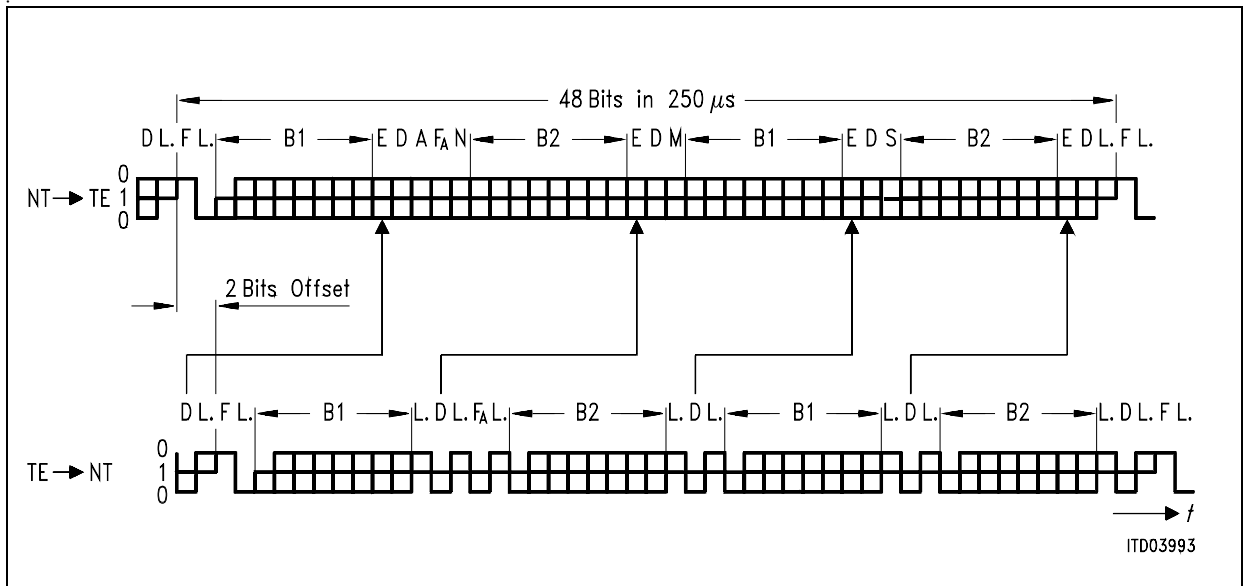


Figure 36 S/T -Interface Line Code

#### Frame Structure

Each S/T frame consists of 48 bits at a nominal bit rate of 192 kbit/s. For user data (B1+B2+D) the frame structure applies to a data rate of 144 kbit/s (see [Figure 36](#)).

In the direction TE → NT the frame is transmitted with a two bit offset. For details on the framing rules please refer to ITU I.430 section 6.3. The following figure illustrates the standard frame structure for both directions (NT → TE and TE → NT) with all framing and maintenance bits.



**Figure 37 Frame Structure at Reference Points S and T (ITU I.430)**

- F Framing Bit F = (0b) → identifies new frame (always positive pulse, always code violation)
- L D.C. Balancing Bit L = (0b) → number of binary ZEROs sent after the last L. bit was odd
- D D-Channel Data Bit Signaling data specified by user
- E D-Channel Echo Bit E = D → received E-bit is equal to transmitted D-bit
- F<sub>A</sub> Auxiliary Framing Bit See section 6.3 in ITU I.430
- N  $N = \overline{F_A}$
- B1 B1-Channel Data Bit User data
- B2 B2-Channel Data Bit User data
- A Activation Bit A = (0b) → INFO 2 transmitted  
A = (1b) → INFO 4 transmitted
- S S-Channel Data Bit S<sub>1</sub> channel data (see note below)
- M Multiframing Bit M = (1b) → Start of new multi-frame

Note: The ITU I.430 standard specifies S1 - S5 for optional use.

Functional Description

**2.5.2 S/Q Channels, Multiframe**

According to ITU recommendation I.430 a multi-frame provides extra layer-1 capacity in the TE-to-NT direction through the use of an extra channel between the TE and NT (Q-channel). The Q bits are defined to be the bits in the  $F_A$  bit position.

In the NT-to-TE direction the S-channel bits are used for information transmission.

The S- and Q-channels are accessed via  $\mu C$  by reading/writing the SQR or SQX bits in the S/Q channel registers (SQRR, SQXR).

**Table 24** shows the S and Q bit positions within the multi-frame.

**Table 24 S/Q-Bit Position Identification and Multi-Frame Structure**

Frame Number	NT-to-TE $F_A$ Bit Position	NT-to-TE M Bit	NT-to-TE S Bit	TE-to-NT $F_A$ Bit Position
1	ONE	ONE	S11	Q1
2	ZERO	ZERO	S21	ZERO
3	ZERO	ZERO	S31	ZERO
4	ZERO	ZERO	S41	ZERO
5	ZERO	ZERO	S51	ZERO
6	ONE	ZERO	S12	Q2
7	ZERO	ZERO	S22	ZERO
8	ZERO	ZERO	S32	ZERO
9	ZERO	ZERO	S42	ZERO
10	ZERO	ZERO	S52	ZERO
11	ONE	ZERO	S13	Q3
12	ZERO	ZERO	S23	ZERO
13	ZERO	ZERO	S33	ZERO
14	ZERO	ZERO	S43	ZERO
15	ZERO	ZERO	S53	ZERO
16	ONE	ZERO	S14	Q4
17	ZERO	ZERO	S24	ZERO
18	ZERO	ZERO	S34	ZERO
19	ZERO	ZERO	S44	ZERO
20	ZERO	ZERO	S54	ZERO
1	ONE	ONE	S11	Q1
2	ZERO	ZERO	S21	ZERO

The S-transceiver starts multiframeing if SQXR1.MFEN is set.

After multi-frame synchronization has been established in the TE, the Q data will be inserted at the upstream (TE  $\rightarrow$  NT)  $F_A$  bit position by the TE in each 5th S/T frame, the

---

## Functional Description

S data will be inserted at the downstream (NT → TE) S bit position in each 5th S/T frame (see [Table 24](#)). Access to S2-S5-channel is not supported.

### Interrupt Handling for Multi-Framing

To trigger the microcontroller for a multi-frame access an interrupt can be generated once per multi-frame (SQW) or if the received Q-channel have changed (SQC). In both cases the microcontroller has access to the multiframe within the duration of one multiframe (5 ms).

The start of a multiframe can not be synchronized to an external signal.

### 2.5.3 Data Transfer between IOM<sup>®</sup>-2 and S<sub>0</sub>

In the state G3 (Activated) or if the internal layer-1 statemachine is disabled and XINF of register S\_CMD is programmed to '011' the B1, B2 and D bits are transferred transparently from the S/T to the IOM<sup>®</sup>-2 interface and vice versa. In all other states '1's are transmitted to the IOM<sup>®</sup>-2 interface.

Note: In intelligent NT or intelligent LT-S mode the D-channel access can be blocked by the IOM<sup>®</sup>-2 D-channel handler.

### 2.5.4 Loopback 2

C/I commands ARL and AIL close the analog loop as close to the S-interface as possible. ETSI refers to this loop under 'loopback 2'. ETSI requires, that B1, B2 and D channels have the same propagation delay when being looped back.

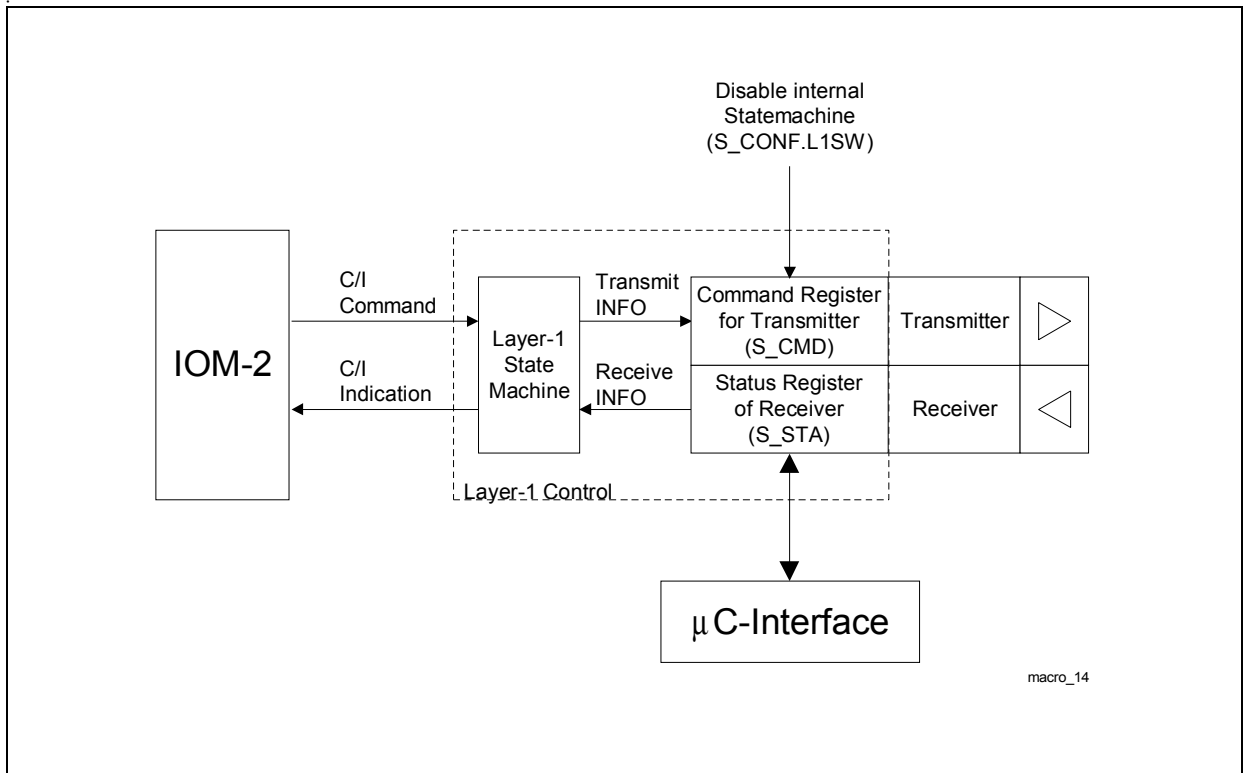
The D-channel Echo bit is set to bin. 0 during an analog loopback (i.e. loopback 2). The loop is transparent.

Note: After C/I-code AIL has been recognized by the S-transceiver, zeros are looped back in the B and D-channels (DU) for four frames.

### 2.5.5 Control of S-Transceiver / State Machine

The S-transceiver activation/ deactivation can be controlled by an internal statemachine via the IOM<sup>®</sup>-2 C/I-channel or by software via the  $\mu$ C interface directly. In the default state the internal layer-1 statemachine of the S-transceiver is used. By setting the L1SW bit in the S\_CONF0 register the internal statemachine can be disabled and the layer-1 transmit commands, which are normally generated by the internal statemachine can be written directly into the S\_CMD register or the received status read out from the S\_STA register, respectively. The S-transceiver layer-1 control flow is shown in [Figure 38](#).

Functional Description



**Figure 38 S-Transceiver Control**

The state diagram notation is given in [Figure 39](#).

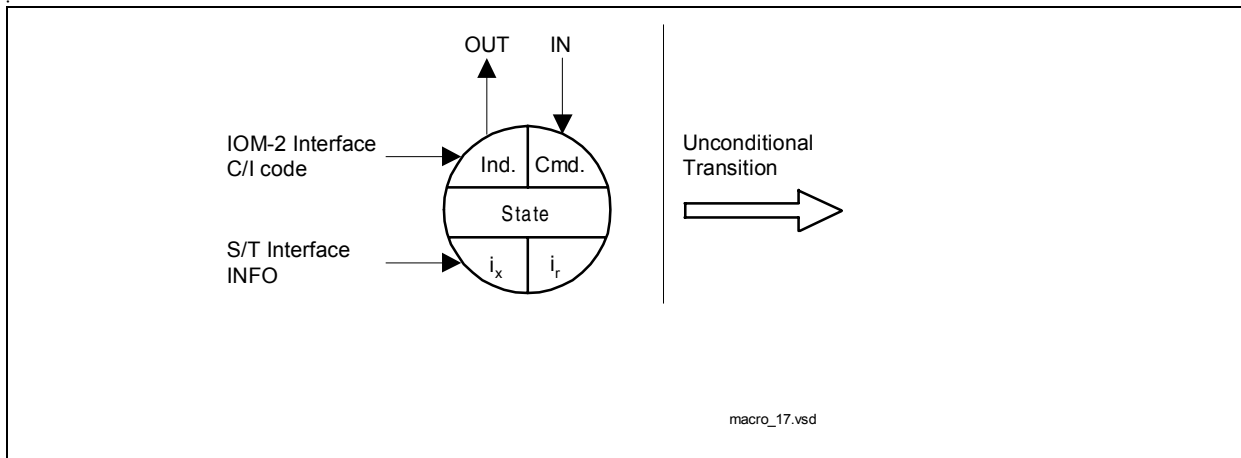
The information contained in the state diagrams are:

- state name
- Signal received from the line interface (INFO)
- Signal transmitted to the line interface (INFO)
- C/I code received (commands)
- C/I code transmitted (indications)
- transition criteria

The transition criteria are grouped into:

- C/I commands
- Signals received from the line interface (INFOs)
- Reset





**Figure 39 State Diagram Notation**

As can be seen from the transition criteria, combinations of multiple conditions are possible as well. A “\*” stands for a logical AND combination. And a “+” indicates a logical OR combination.

### Test Signals

- 2 kHz Single Pulses (TM1)  
One pulse with a width of one bit period per frame with alternating polarity.
- 96 kHz Continuous Pulses (TM2)  
Continuous pulses with a pulse width of one bit period.

Note: The test signals TM1 and TM2 are invoked via C/I codes ‘TM1’ and ‘TM2’ according to [Chapter 2.5.5.1](#).

### External Layer-1 Statemachine

Instead of using the integrated layer-1 statemachine it is also possible to implement the layer-1 statemachine completely in software.

The internal layer-1 statemachine can be disabled by setting the L1SW bit in the S\_CONF0 register to ‘1’.

The transmitter is completely under control of the microcontroller via register S\_CMD.

The status of the receiver is stored in register S\_STA and has to be evaluated by the microcontroller. This register is updated continuously. If not masked a RIC interrupt is generated by any change of the register contents. The interrupt is cleared after a read access to this register.

### Reset States

After an active signal on the reset pin  $\overline{RST}$  the S-transceiver state machine is in the reset state.

**Functional Description**

**C/I Codes in Reset State**

In the reset state the C/I code 0000 (TIM) is issued. This state is entered either after a hardware reset ( $\overline{RST}$ ) or with the C/I code RES.

**C/I Codes in Deactivated State**

If the S-transceiver is in state ‘Deactivated’ and receives  $\overline{i0}$ , the C/I code 0000 (TIM) is issued until expiration of the 8 ms timer. Otherwise, the C/I code 1111 (DI) is issued.

**2.5.5.1 C/I Codes**

The table below presents all defined C/I0 codes. A command needs to be applied continuously until the desired action has been initiated. Indications are strictly state orientated. Refer to the state diagrams in the following sections for commands and indications applicable in various states.

Code	LT-S		NT	
	Cmd	Ind	Cmd	Ind
0 0 0 0	DR	TIM	DR	TIM
0 0 0 1	RES	–	RES	–
0 0 1 0	TM1	–	TM1	–
0 0 1 1	TM2	–	TM2	–
0 1 0 0	–	RSY	RSY	RSY
0 1 0 1	–	–	–	–
0 1 1 0	–	–	–	–
0 1 1 1	–	–	–	–
1 0 0 0	AR	AR	AR	AR
1 0 0 1	–	–	–	–
1 0 1 0	ARL	–	ARL	–
1 0 1 1	–	CVR	–	CVR
1 1 0 0	–	AI	AI	AI
1 1 0 1	–	–	–	–
1 1 1 0	–	–	AIL	–
1 1 1 1	DC	DI	DC	DI

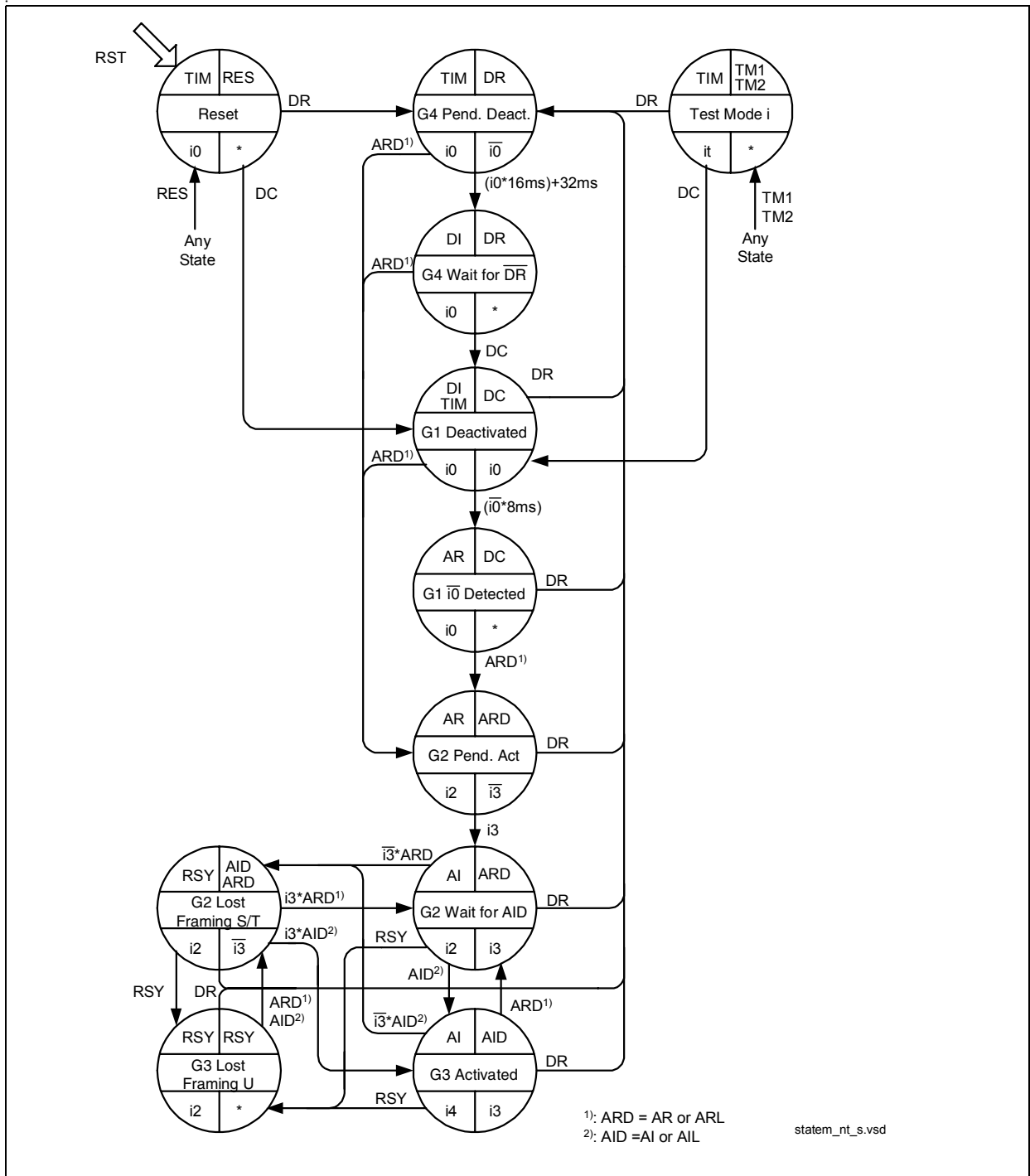
**Receive Infos on S/T**

- I0 INFO 0 detected
- $\overline{I0}$  Level detected (signal different to I0)
- I3 INFO 3 detected
- $\overline{I3}$  Any INFO other than INFO 3

**Transmit Infos on S/T**

- I0 INFO 0
- I2 INFO 2
- I4 INFO 4
- It Send Single Pulses (TM1).  
Send Continuous Pulses (TM2).

### 2.5.5.2 State Machine NT Mode



**Figure 40 State Machine NT Mode**

Note: State 'Test Mode' can be entered from any state except from state 'Test Mode' itself, i.e. C/I-code 'TMi' must not be followed by C/I-code 'TMj' directly.

### **G1 Deactivated**

The S-transceiver is not transmitting. There is no signal detected on the S/T-interface, and no activation command is received in the C/I channel. Activation is possible from the S/T interface and from the IOM<sup>®</sup>-2 interface.

### **G1 $\overline{IO}$ Detected**

An  $\overline{INFO\ 0}$  is detected on the S/T-interface, translated to an “Activation Request” indication in the C/I channel. The S-transceiver is waiting for an AR command, which normally indicates that the transmission line upstream is synchronized.

### **G2 Pending Activation**

As a result of the ARD command, an INFO 2 is sent on the S/T-interface. INFO 3 is not yet received. In case of ARL command, loop 2 is closed.

### **G2 wait for AID**

INFO 3 was received, INFO 2 continues to be transmitted while the S-transceiver waits for a “switch-through” command AID from the device upstream.

### **G3 Activated**

INFO 4 is sent on the S/T-interface as a result of the “switch through” command AID: the B and D-channels are transparent. On the command AIL, loop 2 is closed.

### **G2 Lost Framing S/T**

This state is reached when the transceiver has lost synchronism in the state G3 activated.

### **G3 Lost Framing U**

On receiving an RSY command which usually indicates that synchronization has been lost on the transmission line, the S-transceiver transmits INFO 2.

### **G4 Pending Deactivation**

This state is triggered by a deactivation request DR, and is an unstable state. Indication DI (state “G4 wait for DR”) is issued by the transceiver when:

either INFO0 is received for a duration of 16 ms

or an internal timer of 32 ms expires.

**Functional Description**

**G4 wait for  $\overline{DR}$**

Final state after a deactivation request. The S-transceiver remains in this state until DC is issued.

**Unconditional States**

**Test Mode TM1**

Send Single Pulses

**Test Mode TM2**

Send Continuous Pulses

**C/I Commands**

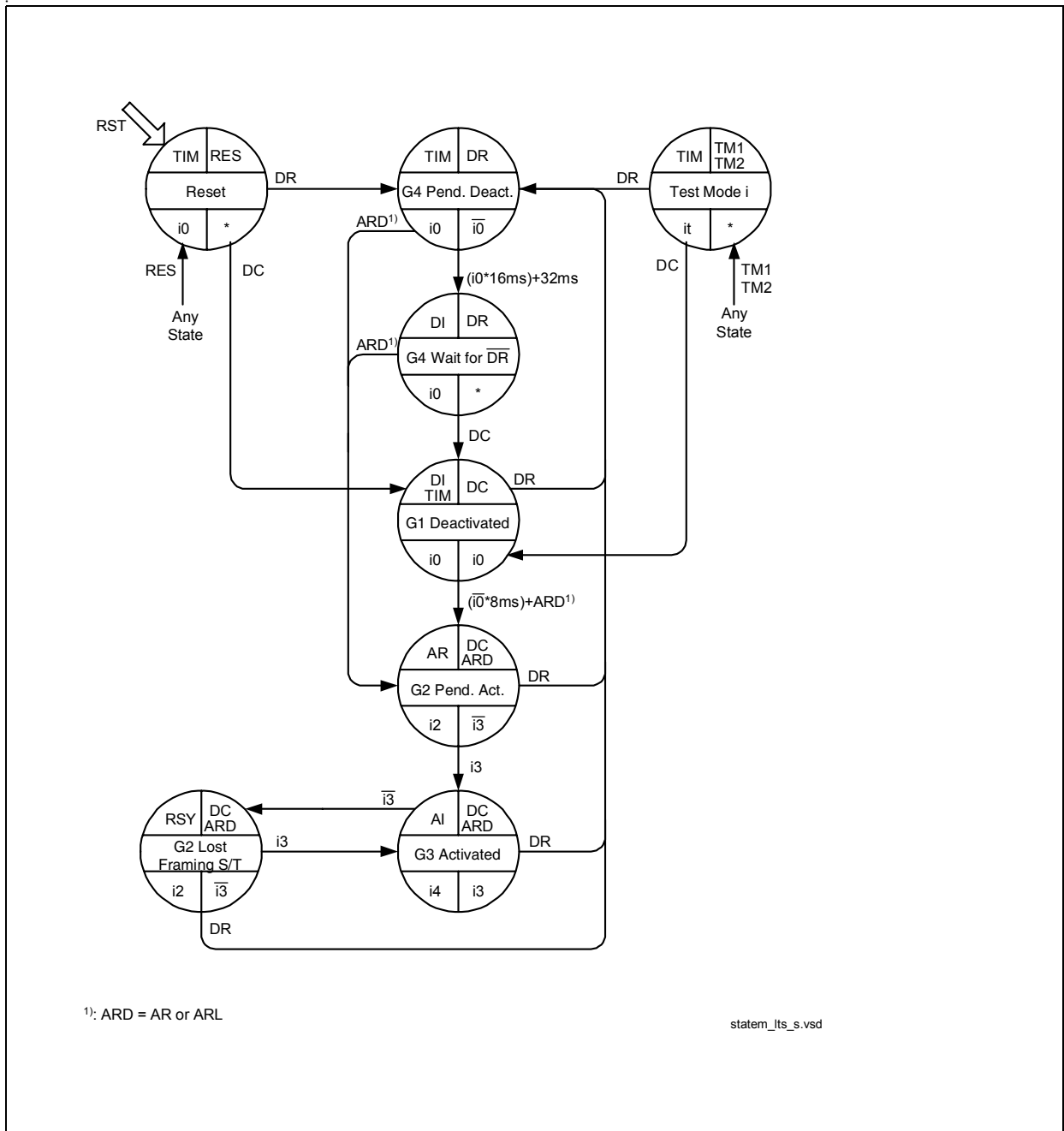
Command	Abbr.	Code	Remark
Deactivation Request	DR	0000	Deactivation Request. Initiates a complete deactivation by transmitting INFO 0.
Reset	RES	0001	Reset of state machine. Transmission of Info0. No reaction to incoming infos. RES is an unconditional command.
Send Single Pulses	TM1	0010	Send Single Pulses.
Send Continuous Pulses	TM2	0011	Send Continuous Pulses.
Receiver not Synchronous	RSY	0100	Receiver is not synchronous
Activation Request	AR	1000	Activation Request. This command is used to start an activation.
Activation Request Loop	ARL	1010	Activation request loop. The transceiver is requested to operate an analog loop-back close to the S/T-interface.
Activation Indication	AI	1100	Activation Indication. Synchronous receiver, i.e. activation completed.

**Functional Description**

<b>Command</b>	<b>Abbr.</b>	<b>Code</b>	<b>Remark</b>
Activation Indication Loop	AIL	1110	Activation Indication Loop
Deactivation Confirmation	DC	1111	Deactivation Confirmation. Transfers the transceiver into a deactivated state in which it can be activated from a terminal (detection of $\overline{\text{INFO 0}}$ enabled).

<b>Indication</b>	<b>Abbr.</b>	<b>Code</b>	<b>Remark</b>
Timing	TIM	0000	Interim indication during deactivation procedure.
Receiver not Synchronous	RSY	0100	Receiver is not synchronous.
Activation Request	AR	1000	$\overline{\text{INFO 0}}$ received from terminal. Activation proceeds.
Illegal Code Violation	CVR	1011	Illegal code violation received. This function has to be enabled in S_CONF0.EN_ICV.
Activation Indication	AI	1100	Synchronous receiver, i.e. activation completed.
Deactivation Indication	DI	1111	Timer (32 ms) expired or $\overline{\text{INFO 0}}$ received for a duration of 16 ms after deactivation request.

### 2.5.5.3 State Machine LT-S Mode



**Figure 41 State Machine LT-S Mode**

Note: State 'Test Mode' can be entered from any state except from state 'Test Mode' itself, i.e. C/I-code 'TMi' must not be followed by C/I-code 'TMj' directly.



**G1 deactivated**

The S-transceiver is not transmitting. There is no signal detected on the S/T-interface, and no activation command is received in the C/I channel. Activation is possible from the S/T interface and from the IOM<sup>®</sup>-2 interface.

**G2 pending activation**

As a result of an  $\overline{\text{INFO 0}}$  detected on the S/T line or an ARD command, the S-transceiver begins transmitting INFO 2 and waits for reception of INFO 3. The timer to supervise reception of INFO 3 is to be implemented in software. In case of an ARL command, loop 2 is closed.

**G3 activated**

Normal state where INFO 4 is transmitted to the S/T-interface. The transceiver remains in this state as long as neither a deactivation nor a test mode is requested, nor the receiver loses synchronism.

When receiver synchronism is lost, INFO 2 is sent automatically. After reception of INFO 3, the transmitter keeps on sending INFO 4.

**G2 lost framing**

This state is reached when the S-transceiver has lost synchronism in the state G3 activated.

**G4 pending deactivation**

This state is triggered by a deactivation request DR. It is an unstable state: indication DI (state "G4 wait for DR.") is issued by the S-transceiver when:

either INFO0 is received for a duration of 16 ms,  
or an internal timer of 32 ms expires.

**G4 wait for  $\overline{\text{DR}}$** 

Final state after a deactivation request. The transceiver remains in this state until DC is issued.

**Unconditional States****Test mode - TM1**

Single alternating pulses are sent on the S/T-interface.

**Functional Description**
**Test mode - TM2**

Continuous alternating pulses are sent on the S/T-interface.

<b>Command</b>	<b>Abbr.</b>	<b>Code</b>	<b>Remark</b>
Deactivation Request	DR	0000	DR - Deactivation Request. Initiates a complete deactivation by transmitting INFO 0.
Reset	RES	0001	Reset of state machine. Transmission of Info0. No reaction to incoming infos. RES is an unconditional command.
Send Single Pulses	TM1	0010	Send Single Pulses.
Send Continuous Pulses	TM2	0011	Send Continuous Pulses.
Activation Request	AR	1000	Activation Request. This command is used to start an activation.
Activation Request Loop	ARL	1010	Activation request loop. The transceiver is requested to operate an analog loop-back close to the S/T-interface.
Deactivation Confirmation	DC	1111	Deactivation Confirmation. Transfers the transceiver into a deactivated state in which it can be activated from a terminal (detection of INFO 0 enabled).

<b>Indication</b>	<b>Abbr.</b>	<b>Code</b>	<b>Remark</b>
Timing	TIM	0000	Interim indication during activation procedure in G1.
Receiver not Synchronous	RSY	0100	Receiver is not synchronous
Activation Request	AR	1000	INFO 0 received from terminal. Activation proceeds.
Illegal Code Violation	CVR	1011	Illegal code violation received. This function has to be enabled in S_CONF0.EN_ICV.
Activation Indication	AI	1100	Synchronous receiver, i.e. activation completed.
Deactivation Indication	DI	1111	Timer (32 ms) expired or INFO 0 received for a duration of 16 ms after deactivation request

### **2.5.6 S-Transceiver Enable / Disable**

The layer-1 part of the S-transceiver can be enabled/disabled with the two bits S\_CONF0.DIS\_TR and S\_CONF2.DIS\_TX.

If DIS\_TX='1' the transmit buffers are disabled. The receiver will monitor for incoming data in this configuration. By default the transmitter is disabled (DIS\_TX = '1').

If the transceiver is disabled (DIS\_TR = '1', DIS\_TX = don't care) all layer-1 functions are disabled including the level detection circuit of the receiver. In this case the power consumption of the S-transceiver is reduced to a minimum.

### 2.5.7 Interrupt Structure S-Transceiver

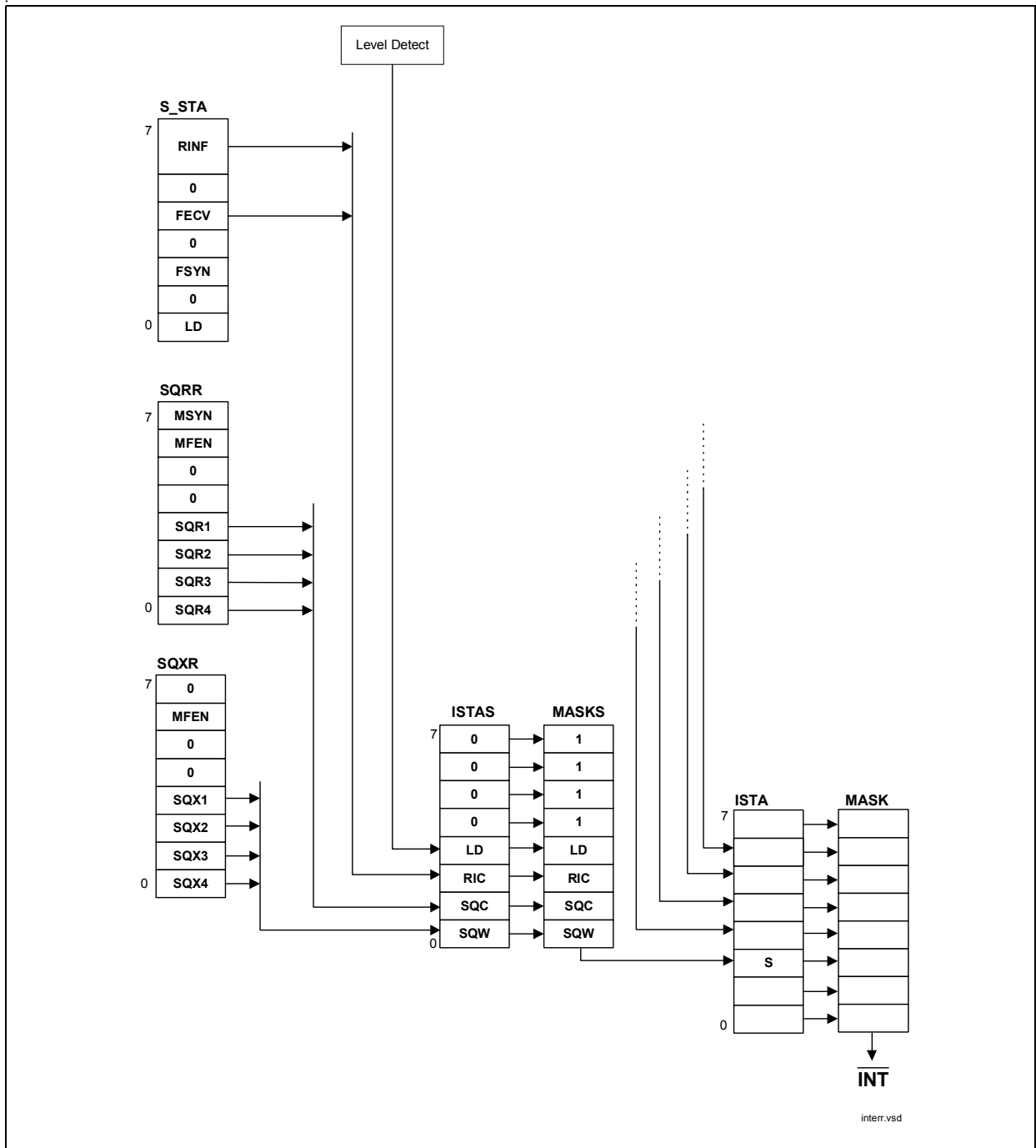


Figure 42 Interrupt Structure S-Transceiver

## 2.6 HDLC Controller

The T-SMINT<sup>®</sup>IX contains a HDLC controller which can be used for the layer-2 functions of the D- channel protocol (LAPD) or B-channel protocols. By setting the enable HDLC channel bits (EN\_D, EN\_B1H, EN\_B2H) in the HCI\_CR register the HDLC controller can access the D or B-channels or any combination of them e.g. 18 bit IDSL data (2B+D).

The HDLC transceiver in the T-SMINT<sup>®</sup>IX performs the framing functions used in HDLC based communication: flag generation/recognition, bit stuffing, CRC check and address recognition.

The HDLC controller contains a 64 byte FIFO in both receive and transmit direction which is implemented as a cyclic buffer. The transceivers read and write data sequentially with constant data rate, whereas the data transfer between FIFO and  $\mu$ C interface uses a block oriented protocol with variable block sizes.

### 2.6.1 Message Transfer Modes

The HDLC controller can be programmed to operate in various modes, which are different in the treatment of the HDLC frame in receive direction. Thus, the receive data flow and the address recognition features can be programmed in a flexible way to satisfy different system requirements.

The structure of a LAPD two-byte address is shown below.

High Address Byte			Low Address Byte	
SAPI1, 2, SAPG	C/R	0	TEI 1, 2, TEIG	EA

For the address recognition the T-SMINT<sup>®</sup>IX contains four programmable registers for individual SAPI and TEI values (SAP1, 2 and TEI1, 2), plus two fixed values for the “group” SAPI (SAPG = 'FE' or 'FC') and TEI (TEIG = 'FF').

The received C/R bit is excluded from the address comparison. EA is the address field extension bit which is set to '1' according to the LAPD protocol.

There are 5 different operating modes which can be selected via the mode selection bits MDS2-0 in the MODEH register:

#### Non-Auto Mode (MDS2-0 = '01x')

Characteristics: Full address recognition with one-byte (MDS = '010') or two-byte (MDS = '011') address comparison

All frames with valid addresses are accepted and the bytes following the address are transferred to the  $\mu$ P via RFIFO. Additional information is available in RSTA.

#### Transparent mode 0 (MDS2-0 = '110').

---

## Functional Description

Characteristics: no address recognition

Every received frame is stored in RFIFO (first byte after opening flag to CRC field). Additional information can be read from RSTA.

### Transparent mode 1 (MDS2-0 = '111').

Characteristics: SAPI recognition

A comparison is performed on the first byte after the opening flag with SAP1, SAP2 and "group" SAPI ( $FE_H/FC_H$ ). In the case of a match, all the following bytes are stored in RFIFO. Additional information can be read from RSTA.

### Transparent mode 2 (MDS2-0 = '101').

Characteristics: TEI recognition

A comparison is performed only on the second byte after the opening flag, with TEI1, TEI2 and group TEI ( $FF_H$ ). In case of a match the rest of the frame is stored in the RFIFO. Additional information is available in RSTA.

### Extended transparent mode (MDS2-0 = '100').

Characteristics: fully transparent

In extended transparent mode fully transparent data transmission/reception without HDLC framing is performed i.e. without FLAG generation/recognition, CRC generation/check and bitstuffing mechanism. This allows user specific protocol variations.

Also refer to [Chapter 2.6.5](#).

## 2.6.2 Data Reception

### 2.6.2.1 Structure and Control of the Receive FIFO

The 64-byte cyclic RFIFO buffer has variable FIFO block sizes (thresholds) of 4, 8, 16 or 32 bytes which can be selected by setting the corresponding RFBS bits in the EXMR register. The variable block size allows an optimized HDLC processing concerning frame length, I/O throughput and interrupt load.

The transfer protocol between HDLC FIFO and microcontroller is block orientated with the microcontroller as master. The control of the data transfer between the CPU and the T-SMINT<sup>®</sup>IX is handled via interrupts (T-SMINT<sup>®</sup>IX → Host) and commands (Host → T-SMINT<sup>®</sup>IX).

There are three different interrupt indications in the ISTAH register concerned with the reception of data:

---

## Functional Description

- **RPF (Receive Pool Full)** interrupt, indicating that a data block of the selected length (EXMR.RFBS) can be read from RFIFO. The message which is currently received exceeds the block size so further blocks will be received to complete the message.
- **RME (Receive Message End)** interrupt, indicating that the reception of one message has been completed and the message has been stored in the RFIFO.  
Either
  - a short message has been received  
(message length  $\leq$  the defined block size (EXMR.RFBS) or
  - the last part of a long message has been received  
(message length  $>$  the defined block size (EXMR.RFBS)).
- **RFO (Receive Frame Overflow)** interrupt, indicating that a complete frame could not be stored in RFIFO and is therefore lost as the RFIFO is occupied. This occurs if the host fails to respond quick enough to RPF/RME interrupts since previous data was not read by the host.

There are two control commands that are used with the reception of data:

- **RMC (Receive Message Complete)** command, telling the T-SMINT<sup>®</sup>IX that a data block has been read from the RFIFO and the corresponding FIFO space can be released for new receive data.
- **RRES (Receiver Reset)** command, resetting the HDLC receiver and clearing the receive FIFO of any data (e.g. used before start of reception). It has to be used after a change of the message transfer mode. RRES does not clear pending interrupt indications of the receiver, but have to be cleared by reading these interrupts.

Note: The significant interrupts and commands are underlined as only these are usually used during a normal reception sequence.

The following description of the receive FIFO operation is illustrated in **Figure 43** for a RFIFO block size (threshold) of 16 and 32 bytes.

The RFIFO requests service from the microcontroller by setting a bit in the ISTAH register, which causes an interrupt (RPF, RME, RFO). The microcontroller then reads status information (RBCH, RBCL), data from the RFIFO and changes the RFIFO block size (EXMR.RFBS). A block transfer is completed by the microcontroller via a receive message complete (CMDR.RMC) command. This causes the space of the transferred bytes being released for new data and in case the frame was complete (RME) the reset of the receive byte counter RBC (RBCH, RBCL).<sup>1)</sup>

The total length of the frame is contained in the RBCH and RBCL registers which contain a 12 bit number (RBC11...0), so frames up to 4095 byte length can be counted. If a frame is longer than 4095 bytes, the RBCH.OV (overflow) bit will be set. The least significant

---

<sup>1)</sup> If RMC is omitted, then no new interrupt can be generated.

**Functional Description**

bits of RBCL contain the number of valid bytes in the last data block indicated by RME (length of last data block  $\leq$  selected block size). **Table 25** shows which RBC bits contain the number of bytes in the last data block or number of complete data blocks, respectively. If the number of bytes in the last data block is '0' the length of the last received block is equal to the block size.

**Table 25 Receive Byte Count with RBC11...0 in the RBCH and RBCL registers**

EXMR.RFBS bits	Selected block size	Number of	
		complete data blocks in	bytes in the last data block in
'00'	32 byte	RBC11...5	RBC4...0
'01'	16 byte	RBC11...4	RBC3...0
'10'	8 byte	RBC11...3	RBC2...0
'11'	4 byte	RBC11...2	RBC1...0

The transfer block size (EXMR.RFBS) is 32 bytes by default. If it is necessary to react to an incoming frame within the first few bytes the microcontroller can set the RFIFO block size to a smaller value. Each time a CMDR.RMC or CMDR.RRES command is issued, the RFIFO access controller sets its block size to the value specified in EXMR.RFBS, so the microcontroller has to write the new value for RFBS before the RMC command. When setting an initial value for RFBS before the first HDLC activities, a RRES command must be issued afterwards.

The RFIFO can hold any number of frames fitting in the 64 bytes independent on RFBS. At the end of a frame, the RSTA byte is always inserted.

All generated interrupts are inserted together with all additional information into a wait line to be individually passed to the host. For example if several data blocks have been received to be read by the host and the host acknowledges the current block, a new RPF or RME interrupt from the wait line is immediately generated to indicate new data.



Functional Description

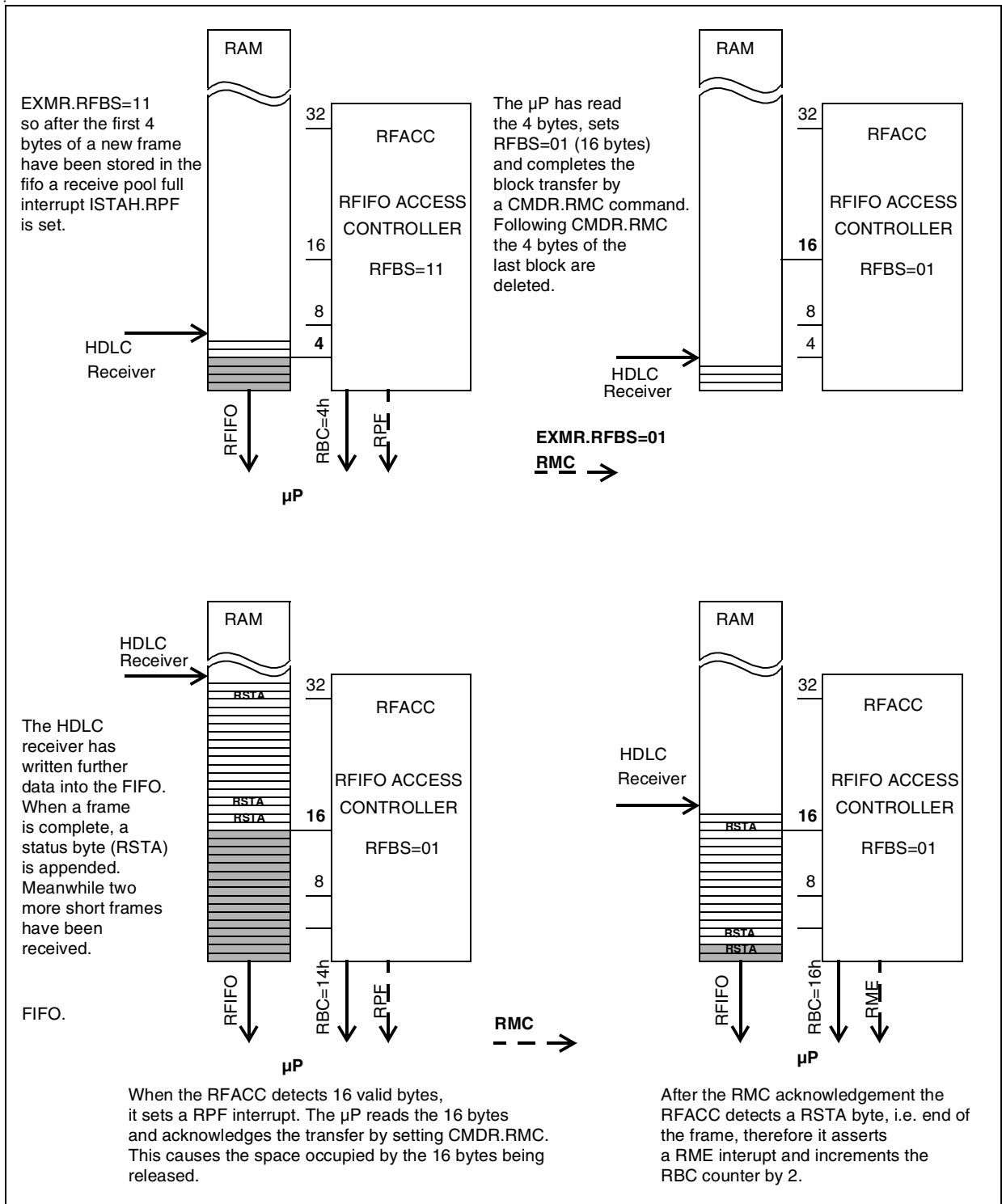


Figure 43 RFIFO Operation

---

## Functional Description

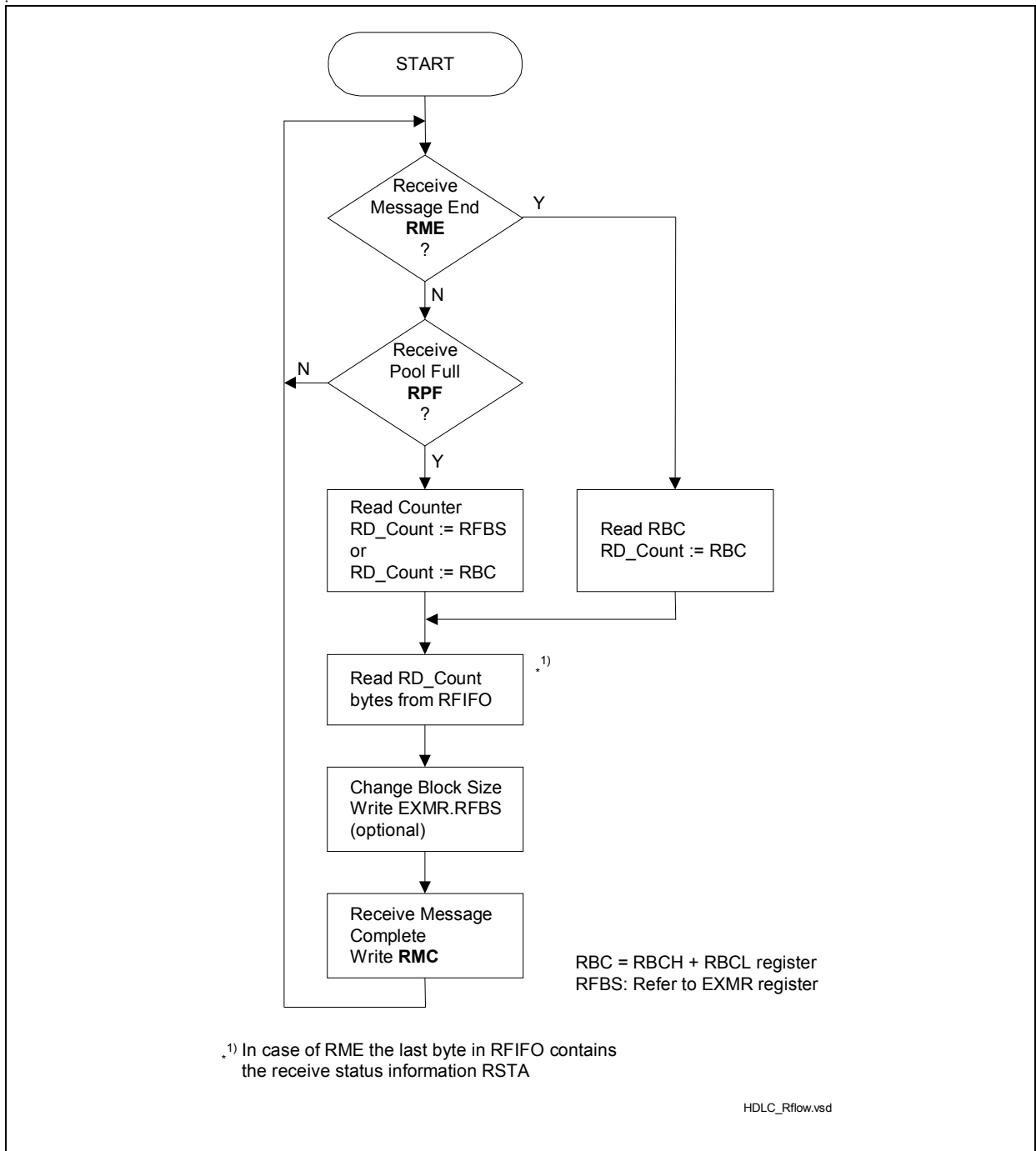
### Possible Error Conditions during Reception of Frames

If parts of a frame get lost because the receive FIFO is full, the Receive Data Overflow (RDO) byte in the RSTA byte will be set. If a complete frame is lost, i.e. if the FIFO is full when a new frame is received, the receiver will assert a Receive Frame Overflow (RFO) interrupt.

The microcontroller sees a cyclic buffer, i.e. if it tries to read more data than available, it reads the same data again and again. On the other hand, if it does not read or does not want to read all data, they are deleted anyway after the RMC command.

If the microcontroller tries to read data without a prior RME or RPF interrupt, the content of the RFIFO would not be corrupted, but new data is only transferred to the host as long as new valid data is available in the RFIFO, otherwise the last data is read again and again.

The general procedures for a data reception sequence are outlined in the flow diagram in [Figure 44](#).



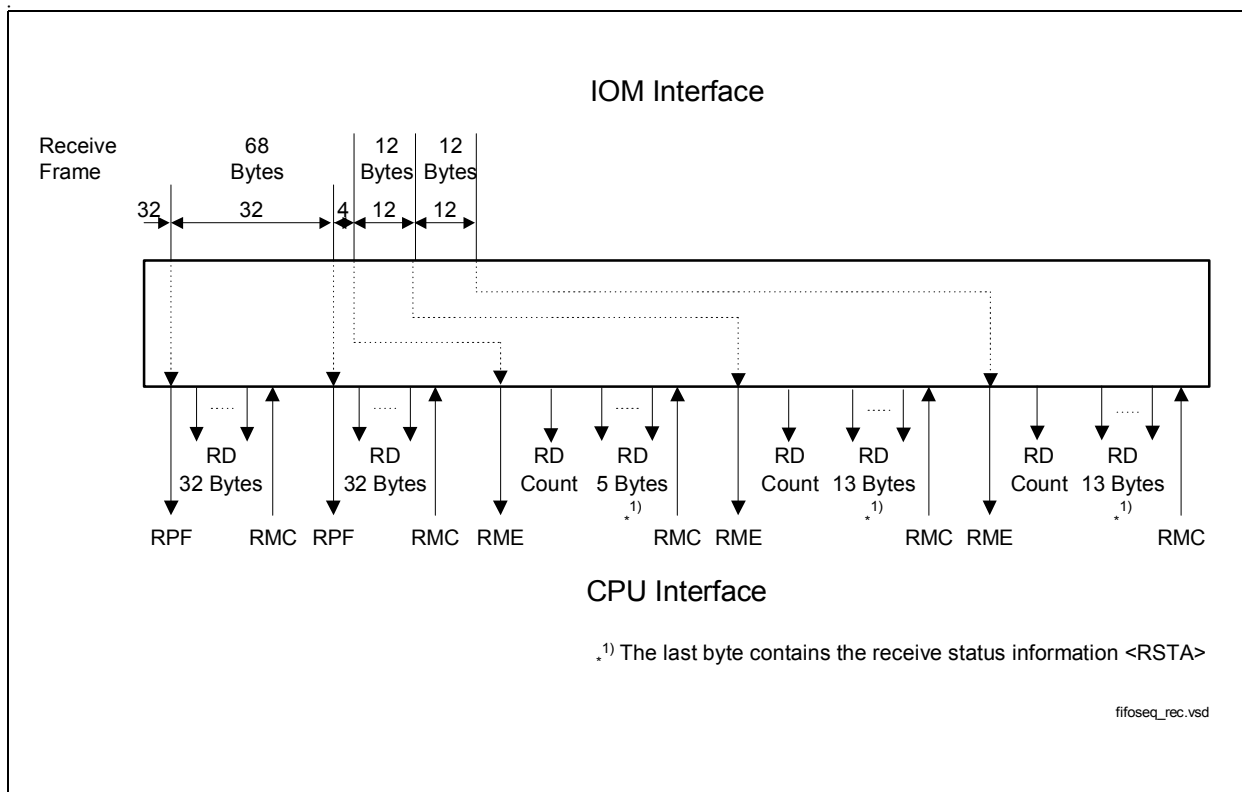
**Figure 44 Data Reception Procedures**

**Figure 45** gives an example of an interrupt controlled reception sequence, supposed that a long frame (68 byte) followed by two short frames (12 byte each) are received. The FIFO threshold (block size) is set to 32 bytes (EXMR.RFBS = '00') in this example:

- After 32 bytes have been received off frame 1 a RPF interrupt is generated to indicate that a data block can be read from the RFIFO.

## Functional Description

- The host reads the first data block from RFIFO and acknowledges the reception by RMC. Meanwhile the second data block is received and stored in RFIFO.
- The second 32 byte block is indicated by RPF which is read and acknowledged by the host as described before.
- The reception of the remaining 4 bytes are indicated by RME (i.e. the receive status in RSTA register is always appended to the end of a frame).
- The host gets the number of received bytes (COUNT = 5) from RBCL/RBCH and reads out the RFIFO and optionally the status register RSTA. The frame is acknowledged by RMC.
- The second frame is received and indicated by RME interrupt.
- The host gets the number of bytes (COUNT = 13) from RBCL/RBCH and reads out the RFIFO and status registers. The RFIFO is acknowledged by RMC.
- The third frame is transferred in the same way.

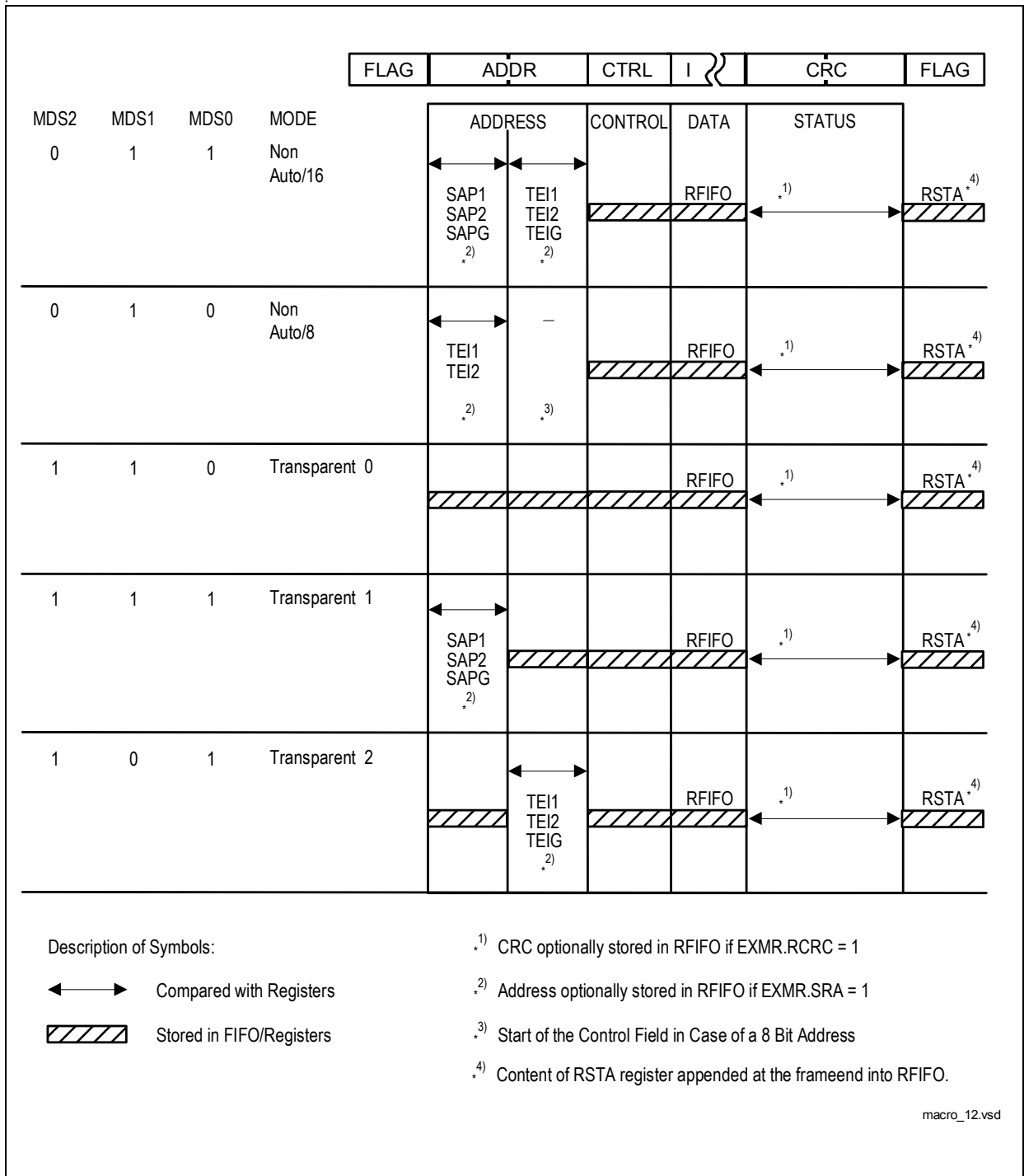


**Figure 45 Reception Sequence Example**

### 2.6.2.2 Receive Frame Structure

The management of the received HDLC frames as affected by the different operating modes (see [Chapter 2.6.1](#)) is shown in [Figure 46](#).

Functional Description



**Figure 46 Receive Data Flow**

Note: The figure shows all modes except the extended transparent mode as this mode uses no typical frame structure or address recognition. Data is transferred purely transparent.

**Functional Description**

The T-SMINT<sup>®</sup>IX indicates to the host that a new data block can be read from the RFIFO by means of a RPF interrupt (see previous chapter). User data is stored in the RFIFO and information about the received frame is available in the RSTA, RBCL and RBCH registers which are listed in [Table 26](#).

**Table 26 Receive Information at RME Interrupt**

Information	Register	Bit	Mode
Type of frame (Command/Response)	RSTA	C/R	Non-auto mode, 2-byte address field Transparent mode 1
Recognition of SAPI	RSTA	SA1, 0	Non-auto mode, 2-byte address field Transparent mode 1
Recognition of TEI	RSTA	TA	All except transparent mode 0 and 1
Result of CRC check (correct/incorrect)	RSTA	CRC	All
Valid Frame	RSTA	VFR	All
Abort condition detected (yes/no)	RSTA	RAB	All
Data overflow during reception of a frame (yes/no)	RSTA	RDO	All
Number of bytes received in RFIFO	RBCL	RBCx-0	All (see <a href="#">Table 25</a> )
Message length	RBCL RBCH	RBC11-0	All
RFIFO Overflow	RBCH	OV	All

The RSTA register is appended as last byte to the end of a frame.

## 2.6.3 Data Transmission

### 2.6.3.1 Structure and Control of the Transmit FIFO

The 64-byte cyclic XFIFO buffer has variable FIFO block sizes (thresholds) of 16 or 32 bytes, selectable by the XFBS bit in the EXMR register.

There are three different interrupt indications in the ISTAH register concerned with the transmission of data:

---

## Functional Description

- **XPR** (**Transmit Pool Ready**) interrupt, indicating that a data block of up to 16 or 32 bytes (block size selected via EXMR:XFBS) can be written to the XFIFO.  
A XPR interrupt is generated either
  - after a XRES (Transmitter Reset) command (which is issued for example for frame abort) or
  - when a data block from the XFIFO is transmitted and the corresponding FIFO space is released to accept further data from the host.
- **XDU** (**Transmit Data Underrun**) interrupt, indicating that the transmission of the current frame has been aborted (seven consecutive '1's are transmitted) as the XFIFO holds no further transmit data. This occurs if the host fails to respond to a XPR interrupt quick enough.
- **XMR** (**Transmit Message Repeat**) interrupt, indicating that the transmission of the complete last frame has to be repeated as a collision on the S bus has been detected while the first data bytes have already been overwritten with new data. So the XFIFO does not hold the first data bytes of the frame (the HDLC transmitter is stopped if a collision on the S bus has been detected).  
The occurrence of a XDU or XMR interrupt clears the XFIFO and a XPR interrupt is issued together with a XDU or XMR interrupt, respectively. Data cannot be written to the XFIFO as long as a XDU/XMR interrupt is pending.

Three different control commands are used for transmission of data:

- **XTF** (**Transmit Transparent Frame**) command, telling the T-SMINT<sup>®</sup>IX that up to 16 or 32 bytes (according to selected block size) have been written to the XFIFO and should be transmitted. A start flag is generated automatically.
- **XME** (**Transmit Message End**) command, telling the T-SMINT<sup>®</sup>IX that the last data block written to the XFIFO completes the corresponding frame and should be transmitted. This implies that according to the selected mode a frame end (CRC + closing flag) is generated and appended to the frame.
- **XRES** (**Transmitter Reset**) command, resetting the HDLC transmitter and clearing the transmit FIFO of any data. After a XRES command the transmitter always sends an abort sequence, i.e. this command can be used to abort a transmission. XRES does not clear pending interrupt indications of the transmitter, but has to be cleared by reading these interrupts.

Optionally two additional status conditions can be read by the host:

- **XDOV** (**Transmit Data Overflow**), indicating that the data block size has been exceeded, i.e. more than 16 or 32 bytes were entered and data was overwritten.
- **XFW** (**Transmit FIFO Write Enable**), indicating that data can be written to the XFIFO. This status flag may be polled instead of or in addition to XPR.

Note: The significant interrupts and commands are underlined as only these are usually used during a normal transmission sequence.

**Functional Description**

The XFIFO requests service from the microcontroller by setting a bit in the ISTAH register, which causes an interrupt (XPR, XDU, XMR). The microcontroller can then read the status register STAR (XFW, XDOV), write data in the FIFO and it may optionally change the transmit FIFO block size (EXMR.XFBS) if required.

The instant of the initiation of a transmit pool ready (XPR) interrupt after different transmit control commands is listed in [Table 27](#).

**Table 27 XPR Interrupt (availability of the XFIFO) after XTF, XME Commands**

CMDR.	Transmit pool ready (XPR) interrupt initiated...
XTF	as soon as the selected buffer size in the FIFO is available
XTF & XME	after the successful transmission of the closing flag. The transmitter always sends an abort sequence
XME	as soon as the selected buffer size in the FIFO is available, two consecutive frames share flags (endflag = startflag of next frame).

When setting XME the transmitter appends the FCS and the endflag at the end of the frame. When XTF & XME have been set, the XFIFO is locked until successful transmission of the current frame, so a consecutive XPR interrupt also indicates successful transmission of the frame, whereas after XME the XPR interrupt is asserted as soon as there is space for one data block in the XFIFO.

The transfer block size is 32 bytes by default, but sometimes, if the microcontroller has a high computational load, it is useful to increase the maximum reaction time for a XPR interrupt. The maximum reaction time is:

$$t_{max} = (XFIFO\ size - XFBS) / \text{data transmission rate}$$

With a selected block size of 16 bytes indicates a XPR interrupt when there are still 48 bytes (64 bytes - 16 bytes) to be transmitted. With a 32 bytes block size the XPR is initiated when there are still 32 bytes (64 bytes - 32 bytes), i.d. the maximum reaction time for the smaller block size is 50 % higher with the trade-off of a doubled interrupt load. A selected block size of 32 or 16 bytes respectively always indicates the available space in the XFIFO. So any number of bytes smaller than the selected XFBS may be stored in the FIFO during one “write block“ access cycle.

Similar to RFBS for the receive FIFO, a new setting of XFBS takes effect after the next XTF,XME or XRES command. XRES resets the XFIFO.

The XFIFO can hold any number of frames fitting in the 64 bytes.



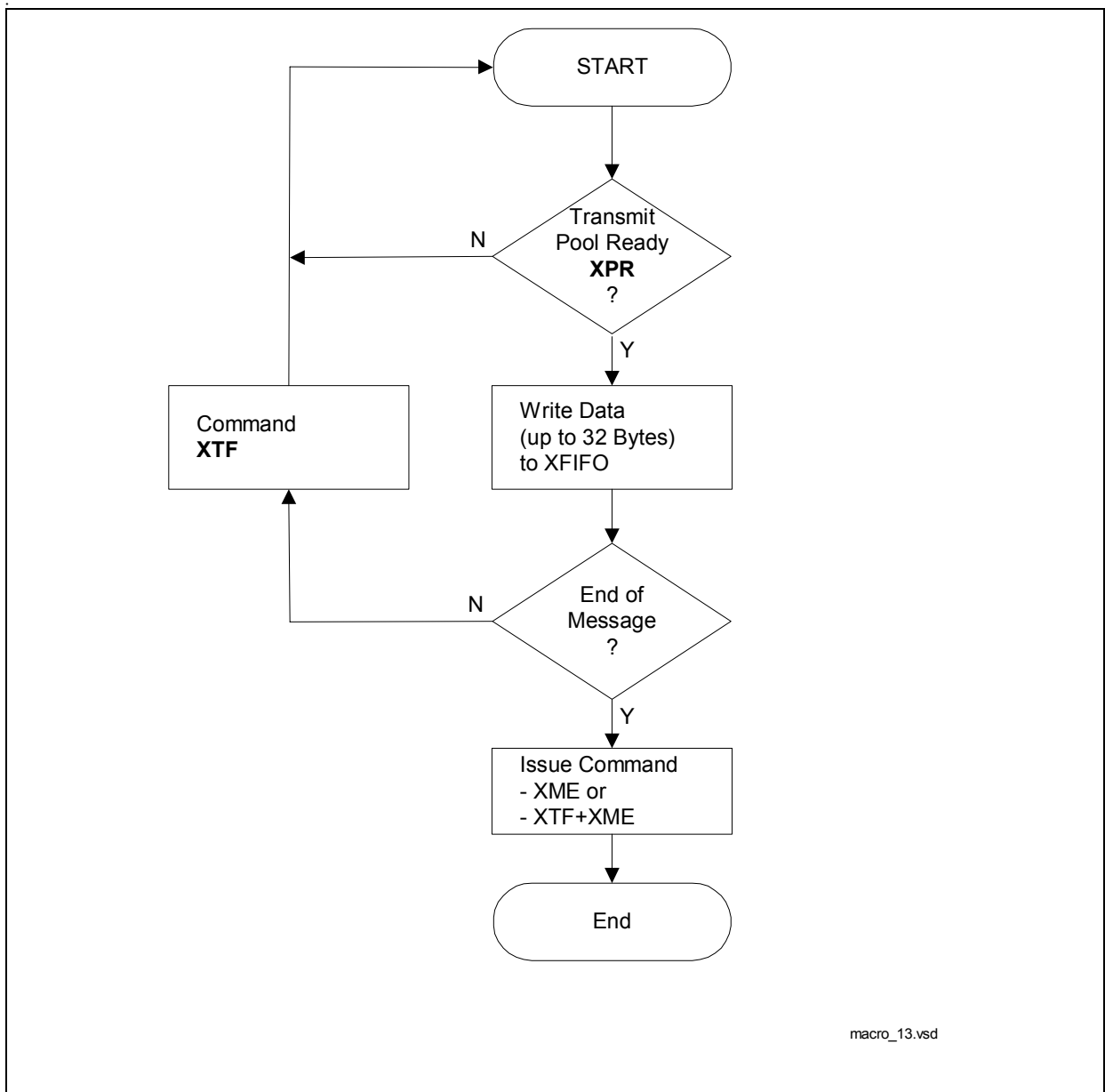
**Possible Error Conditions during Transmission of Frames**

If the transmitter sees an empty FIFO, i.e. if the microcontroller does not react quickly enough to a XPR interrupt, a XDU (transmit data underrun) interrupt will be raised. If the HDLC channel becomes unavailable during transmission the transmitter tries to repeat the current frame as specified in the LAPD protocol. This is impossible after the first data block has been sent (16 or 32 bytes), in this case a XMR transmit message repeat interrupt is set and the microcontroller has to send the whole frame again.

Both XMR and XDU interrupts cause a reset of the XFIFO. The XFIFO is locked while a XMR or XDU interrupt is pending, i.e. all write actions of the microcontroller will be ignored as long as the microcontroller has not read the ISTAH register with the set XDU, XMR interrupts.

If the microcontroller writes more data than allowed (16 or 32 bytes) , then the data in the XFIFO will be corrupted and the STAR.XDOV bit is set. If this happens, the microcontroller has to abort the transmission by CMDR.XRES and start new.

The general procedures for a data transmission sequence are outlined in the flow diagram in [Figure 47](#).



**Figure 47 Data Transmission Procedure**

The following description gives an example for the transmission of a 76 byte frame with a selected block size of 32 byte (EXMR:XFBS=0):

- The host writes 32 bytes to the XFIFO, issues a XTF command and waits for a XPR interrupt in order to continue with entering data.
- The T-SMINT<sup>®</sup>IX immediately issues a XPR interrupt (as remaining XFIFO space is not used) and starts transmission.
- Due to the XPR interrupt the host writes the next 32 bytes to the XFIFO, followed by the XTF command, and waits for XPR.

Functional Description

- As soon as the last byte of the first block is transmitted, the T-SMINT<sup>®</sup>IX issues a XPR interrupt (XFIFO space of first data block is free again) and continues transmitting the second block.
- The host writes the remaining 12 bytes of the frame to the XFIFO and issues the XTF command together with XME to indicate that this is the end of frame.
- After the last byte of the frame has been transmitted the T-SMINT<sup>®</sup>IX releases a XPR interrupt and the host may proceed with transmission of a new frame.

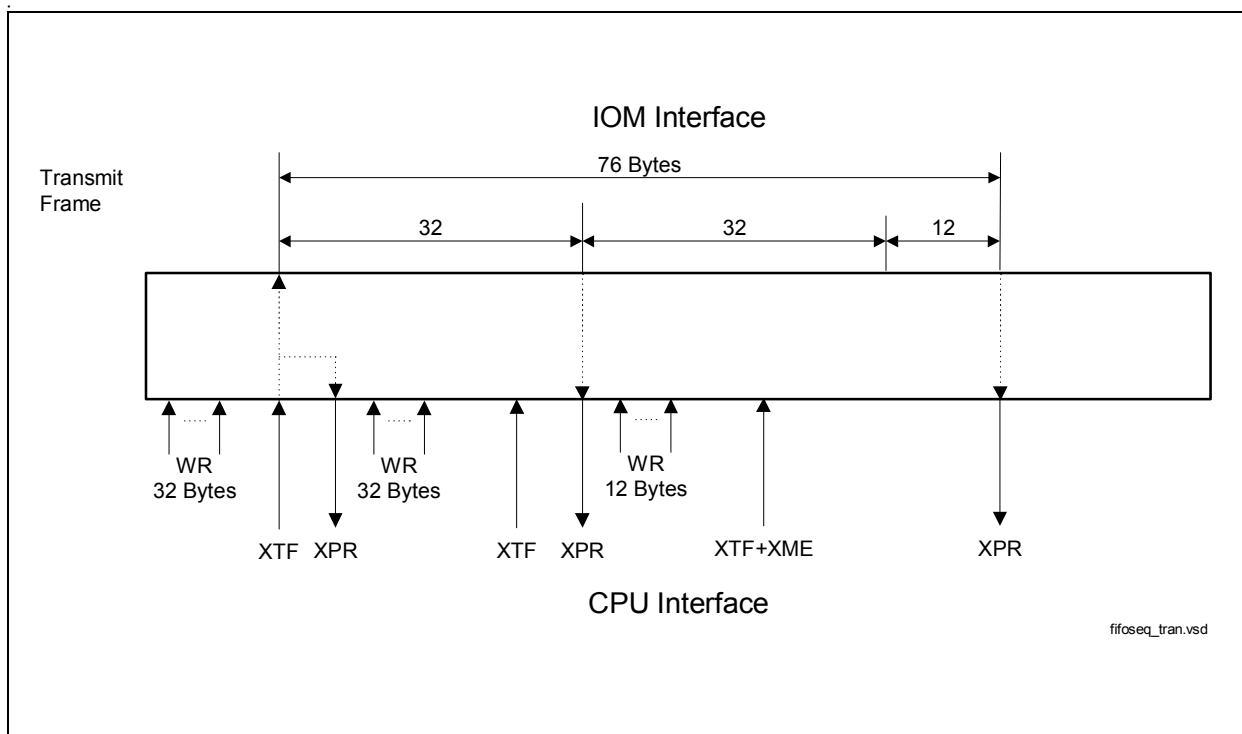


Figure 48 Transmission Sequence Example

2.6.3.2 Transmit Frame Structure

The transmission of transparent frames (XTF command) is shown in [Figure 49](#).

For transparent frames, the whole frame including address and control field must be written to the XFIFO. The host configures whether the CRC is generated and appended to the frame (default) or not (selected in EXMR.XCRC).

Further, the host selects the interframe time fill signal which is transmitted between HDLC frames (EXMR:ITF). One option is to send continuous flags ('01111110'), or an idle sequence (continuous '1's are transmitted), which is used if D-channel access handling (collision resolution on the S bus) is required for example. Reprogramming of ITF takes effect only after the transmission of the current frame has been completed or after a XRES command.

Functional Description

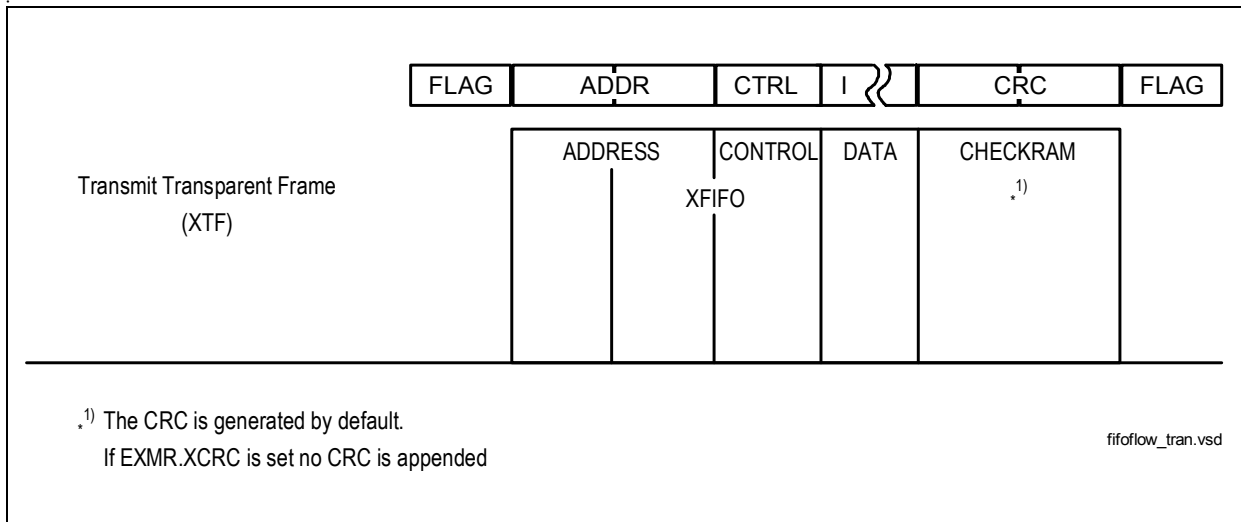


Figure 49 Transmit Data Flow

### 2.6.4 Access to IOM<sup>®</sup>-2 channels

By setting the enable HDLC data bits (EN\_D, EN\_B1H, EN\_B2H) in the HCI\_CR register the HDLC controller can access the D, B1, B2 channels or any combination of them (e.g. 18 bit IDSL data (2B+D)). In all modes (except extended transparent mode) sending works always frame aligned, i.e. it starts with the first selected channel whereas reception looks for a flag anywhere in the serial data stream.

### 2.6.5 Extended Transparent Mode

This non-HDLC mode is selected by setting MODEH.MDS2-0 to '100'. In extended transparent mode fully transparent data transmission/reception without HDLC framing is performed i.e. without FLAG generation/recognition, CRC generation/check, bitstuffing mechanism. This allows user specific protocol variations.

#### Transmitter

The transmitter sends the data out of the FIFO without manipulation. Transmission is always IOM<sup>®</sup>-2-frame aligned and byte aligned, i.e. transmission starts in the first selected channel (B1, B2, D, according to the setting of register HCI\_CR in the IOM<sup>®</sup>-2 Handler) of the next IOM<sup>®</sup>-2 frame.

The FIFO indications and commands are the same as in other modes.

If the microcontroller sets XTF & XME the transmitter responds with a XPR interrupt after sending the last byte, then it returns to its idle state (sending continuous '1').

If the collision detection is enabled (MODEH.DIM = '0x1') the stop go bit (S/G) can be used as a clear-to-send indication as in any other mode. If the S/G bit is set to '1' (stop)

**Functional Description**

during transmission the transmitter responds always with a XMR (transmit message repeat) interrupt and stops transmission.

If the microcontroller fails to respond to a XPR interrupt in time and the transmitter runs out of data then it will assert a XDU (transmit data underrun) interrupt.

**Receiver**

The reception is IOM<sup>®</sup>-2-frame aligned and byte aligned, like transmission, i.e. reception starts in the first selected channel (B1, B2, D, according to the setting of register HCI\_CR in the IOM<sup>®</sup>-2 Handler) of the next IOM<sup>®</sup>-2 frame. The FIFO indications and commands are the same as in others modes.

All incoming data bytes are stored in the RFIFO. If the FIFO is full a RFO interrupt is asserted (EXMR.SRA = '0').

Note: In the extended transparent mode the EXMR register has to be set to 'xxx00000'

**2.6.6 Timer**

The timer provides two modes ([Table 28](#)), a count down timer interrupt, i.e. an interrupt is generated only once after expiration of the selected period, and a periodic timer interrupt, which means an interrupt is generated continuously after every expiration of that period.

**Table 28 Timer**

Address	Register	Modes	Period
04 <sub>H</sub>	TIMR	Periodic	64 ... 2048 ms
		Count Down	2.048 ... 14.336 s

When the programmed period has expired an interrupt is generated (ISTA.TIN).

The host controls the timer by setting bit CMDR.STI to start the timer and by writing register TIMR to stop the timer. After time period T1 an interrupt is generated continuously if CNT=7 or a single interrupt is generated after timer period T if CNT<7 ([Figure 50](#)).

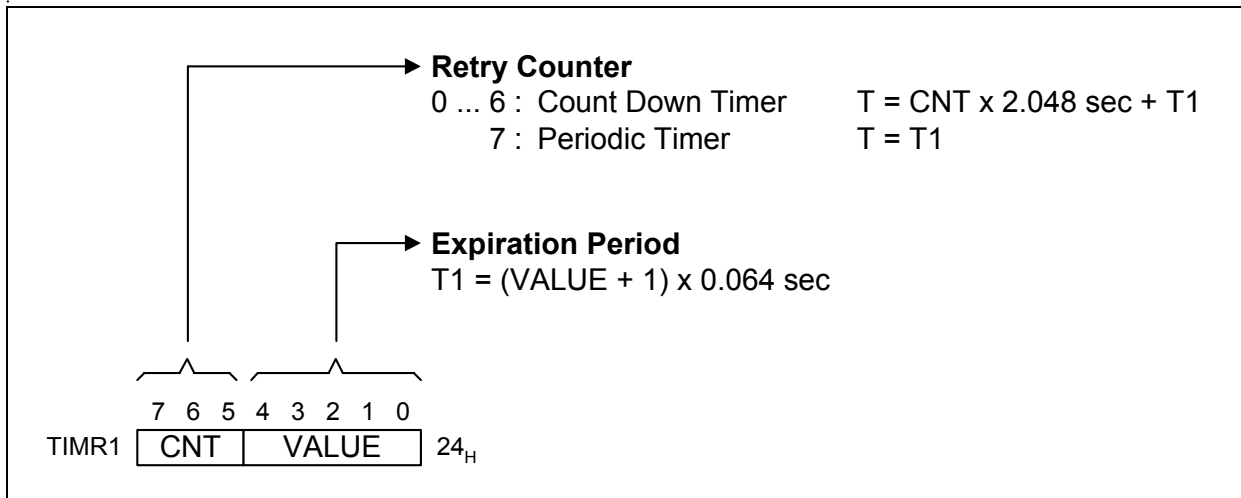
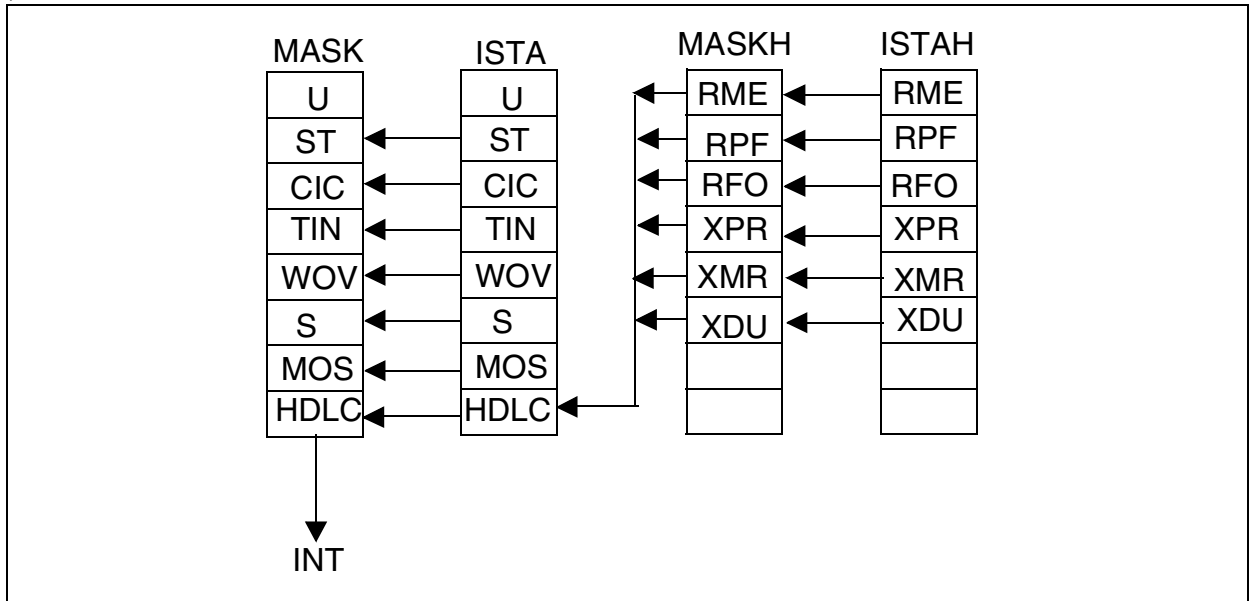


Figure 50 Timer Register

### 2.6.7 HDLC Controller Interrupts

All interrupt sources from the ISTAH register are combined (ORed) to a single HDLC controller interrupt signal hint. Each of the interrupt sources can individually be masked in the MASKH register. A masked interrupt is not indicated in the ISTAH register but remains internally stored and pending until the interrupt is unmasked and read by the host.

The individual interrupt sources of the HDLC controller during reception and transmission of data are explained in [Chapter 2.6.2.1](#) or [Chapter 2.6.3.1](#) respectively. The HDLC controller interrupts XDU and XMR have a special impact on the internal functions. E.g. the transmitter of the HDLC controller is locked if a data underrun condition occurs and the ISTAH.XDU is not read (the interrupt can only be read if unmasked), same applies for XMR.

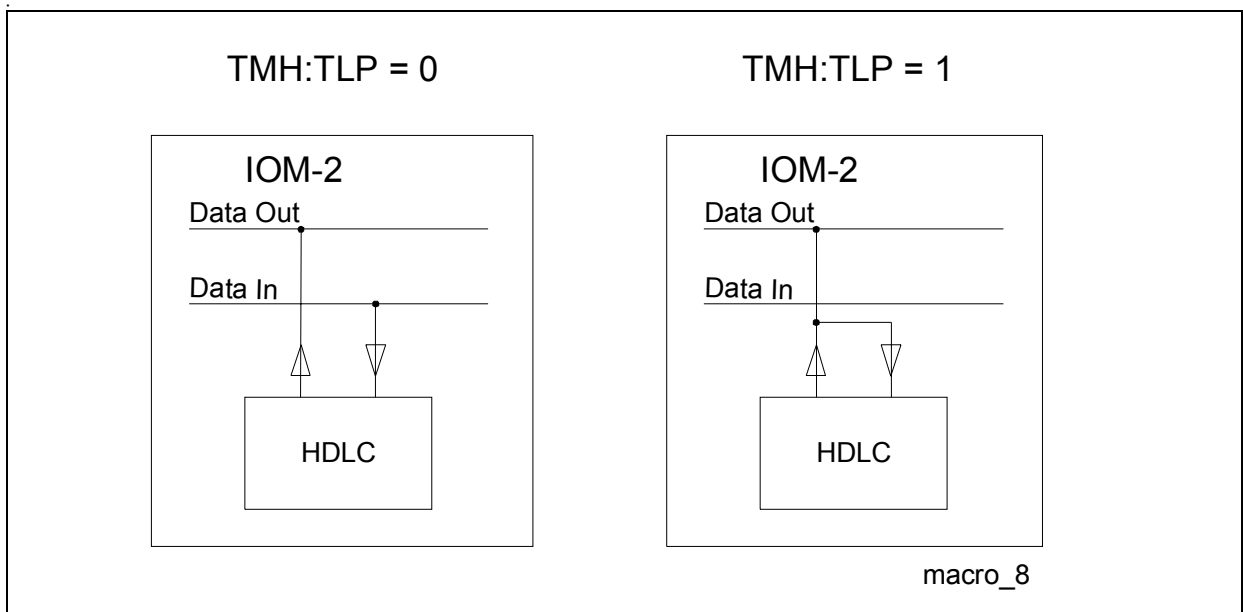


**Figure 51** Interrupt Status Registers of the HDLC Controller

### 2.6.8 Test Function

The T-SMINT<sup>®</sup>IX provides test and diagnostic functions for the HDLC controller:

Digital loop via TLP (Test Loop, TMH register) command bit (**Figure 52**): The TX path of the HDLC controller is still connected to IOM<sup>®</sup>-2 but it is internally connected with the RX path. All incoming data from the IOM<sup>®</sup>-2 is ignored. This is used for testing HDLC functionality excluding layer 1 (U-transceiver (loopback between XFIFO and RFIFO)).



**Figure 52** Layer 2 Test Loops

### **2.6.9 Reset Behavior**

After reset all pointers to the FIFOs are set to “0”, the XPR interrupt is set to “1” but cannot be read by the host as it is masked, i.e. it must be unmasked so it can be read.



### 3 Operational Description

#### 3.1 Layer 1 Activation/Deactivation

##### 3.1.1 Generation of 4B3T Signal Elements

For control and monitoring purposes of the activation/deactivation progress the following signal elements are defined by TS 102 080 and FTZ 1 TR 220.

**Table 29 4B3T Signal Elements**

U0	No signal or deactivation signal that is used in both directions. Downstream, it requests the NT to deactivate. Upstream, the NT acknowledges by U0 that it is deactivated.
U1W, U2W	Awake or awake acknowledge signal used in the awake procedure of the U-interface.
U2	The LT sends U2 to enable the own echo canceller to adapt the coefficients. By the Barker code the NT at the other end is enabled to synchronize. The detection of U2 is used by the NT as a criterion for synchronization. The M-channel on U may be used to transfer loop commands.
U2A	While the NT-RP is synchronizing on the received signal, the LT-RP sends out U2A to enable its echo canceller to adapt the coefficients, but sending no Barker code it inhibits the NT to synchronize on the still asynchronous signal. Due to proceeding synchronization, the U-frame may jump from time to time. U2A can not be detected in the NT at the far end.
U1A	U1A is similar to U1 but without framing information. While the NT synchronizes on the received signal, it sends out U1A to enable its echo canceller to adapt its coefficients, but sends no Barker code to prevent the LT from synchronizing on the still asynchronous signal. Due to proceeding synchronization, the U-frame may jump from time to time. U1A can not be detected by the far-end LT.
U1	When synchronized, the NT sends the Barker code and the LT may synchronize itself. U1 indicates additionally that a terminal equipment has not yet activated. Upon receiving U1 the LT indicates the synchronized state by C/I 'UAI' to layer-2. Usually during activation, no U1 signal is detected in the LT because the TE is activated first and U1 changes to U3 before being detected.  The M-channel on U may be used to transfer code error indications and 1 kbit/s transparent data.

Operational Description

**Table 29 4B3T Signal Elements (cont'd)**

U3	<p>U3 indicates that the whole link to the TE is synchronous in both directions. On detecting U3 the LT requests the NT by U4H to establish a fully transparent connection.</p> <p>The M-channel on U may be used to transfer code error indications and 1 kbit/s transparent data.</p>
U4H	<p>U4H requires the NT to go to the 'Transparent' state. On detecting U4H the NT stops sending signal U3 and informs the S-transceiver or a layer-2 device via the system interface.</p> <p>The M-channel on U may be used to transfer loop commands and 1 kbit/s transparent data.</p>
U4	<p>U4 transports operational data on B and D channels. The M-channel on U may be used to transfer loop commands and 1 kbit/s transparent data.</p>
U5	<p>U5 transports operational data on B and D channels. The M-channel on U may be used to transfer code error indications and 1 kbit/s transparent data.</p>
SP	<p>The T-SMINTIX sends periodically single pulses once per millisecond on the U-interface. The test mode can be used for pulse mask measurements.</p>
LOF	<p>Loss of frame, generated by flywheel</p>

**Table 30 Generation of the 4B3T Signal Elements**

Upstream (NT to LT)	Downstream (LT to NT)		symbols (ternary)	sync word (ternary)	M symbol (ternary)	binary data before scrambling
U1W	U2W	Resulting in a tone of: Frequency: 7.5 kHz Duration: 2.13 ms when sending the wakeup tone is finished, signal AWT is set and ternary "0" is sent	16 times + ++++ + + - - - - - - - -	n/a	n/a	n/a
U1A	U2A	scrambled binary data		0	0	0
U1	U2	scrambled binary data		yes	yes	0
U3		scrambled binary data		yes	yes	1

Operational Description

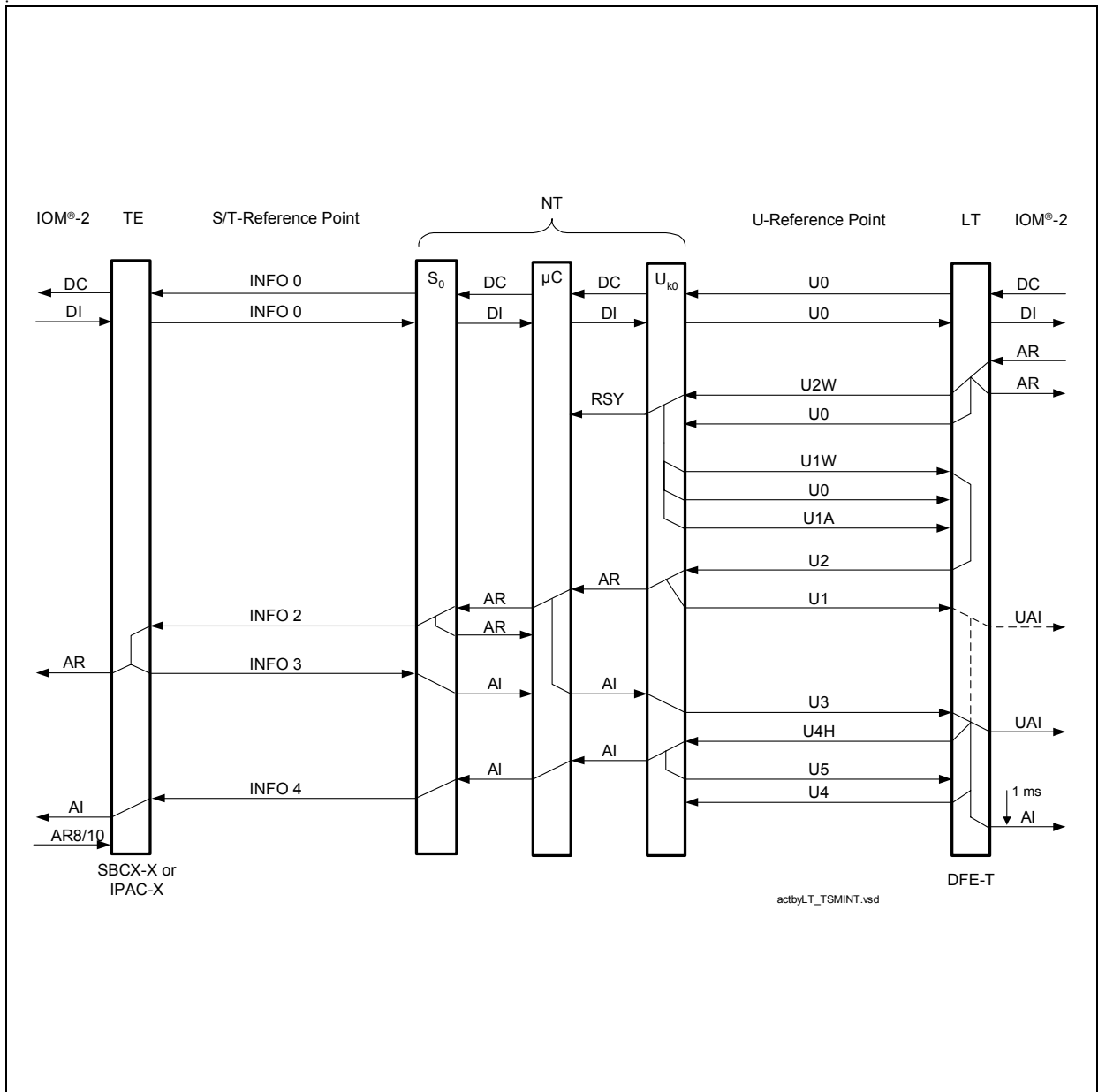
**Table 30 Generation of the 4B3T Signal Elements (cont'd)**

	U4H	Duration: 1 ms (warranted by state machine)		yes	yes	1
U5	U4	Binary data from the digital interface		yes	yes	BBD
U0	U0	Ternary continuous "0"	0	0	0	n/a
SP	SP	single pulses	once "+", 119 times "0" (repeatedly)	n/a	n/a	n/a

**Table 31 S/T-Interface Signals**

Signals from NT to TE		Signals from TE to NT	
INFO 0	No signal.	INFO 0	No signal.
		INFO 1	A continuous signal with the following pattern: Positive ZERO, negative ZERO, six ONES.
INFO 2	Frame with all bits of B, D, and D-echo channels set to binary ZERO. Bit A set to binary ZERO. N and L bits set according to the normal coding rules.		
		INFO 3	Synchronized frames with operational data on B and D-channels.
INFO 4	Frames with operational data on B, D, and D-echo channels. Bit A set to binary ONE.		

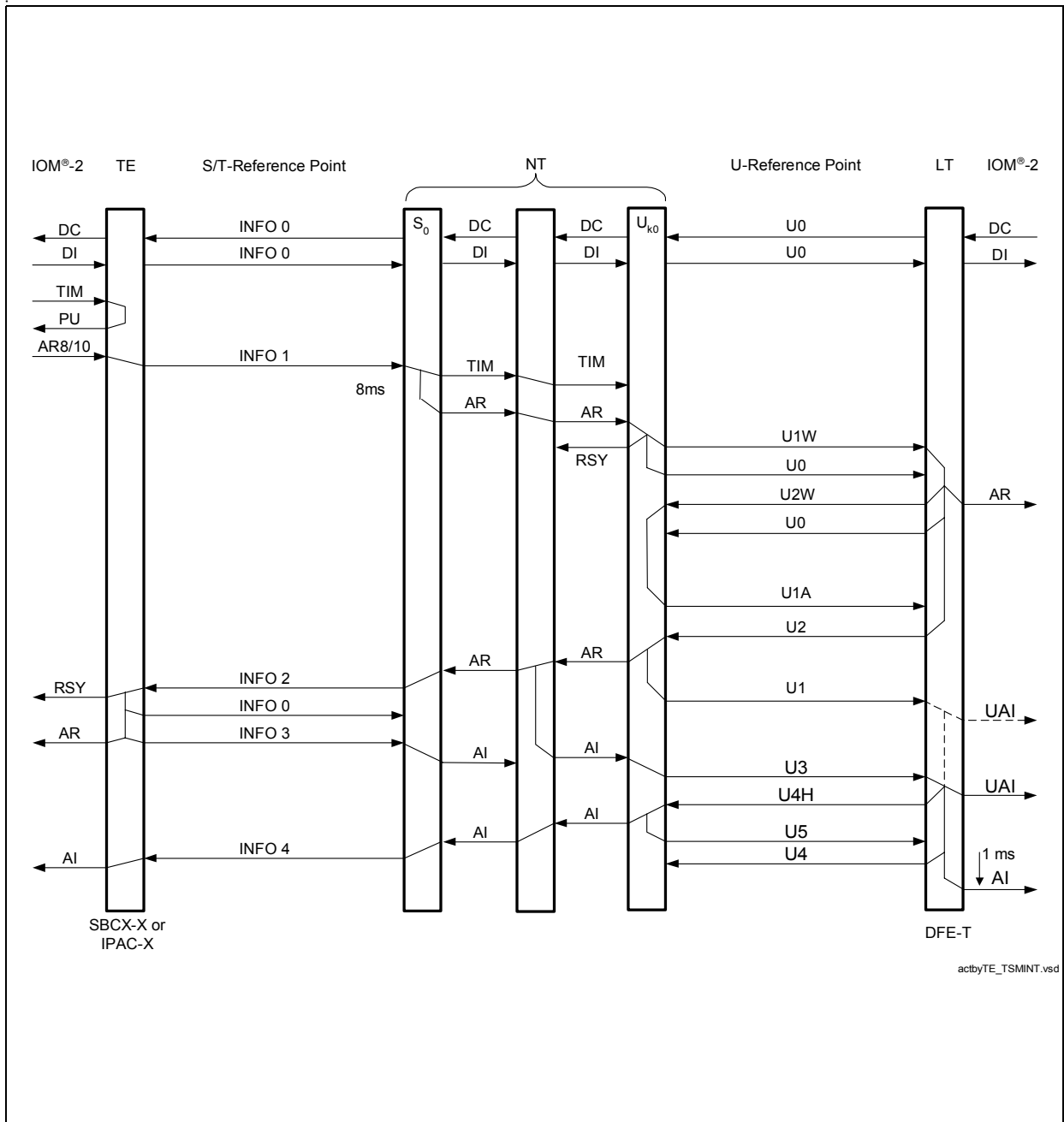
### 3.1.2 Complete Activation Initiated by Exchange



**Figure 53 Activation Initiated by Exchange**

Note: The LT starts issuing signal U2 before the NT starts issuing U1A. This chronological order is not displayed for clarification.

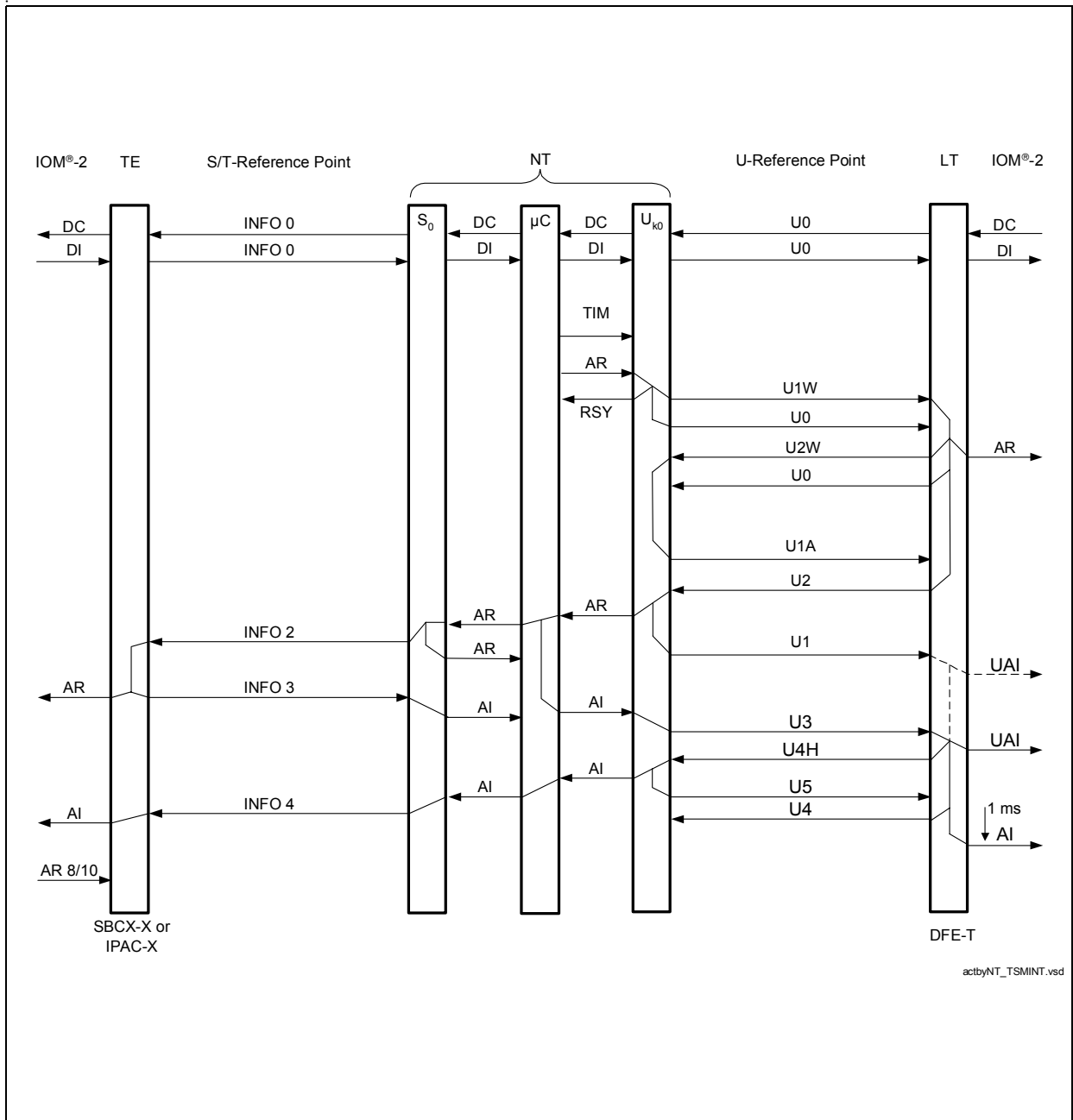
### 3.1.3 Complete Activation Initiated by TE



**Figure 54 Activation Initiated by TE**

Note: The LT starts issuing signal U<sub>2</sub> before the NT starts issuing U<sub>1A</sub>. This chronological order is not displayed for clarification.

### 3.1.4 Complete Activation Initiated by NT



**Figure 55 Activation Initiated by NT**

Note: The LT starts issuing signal U2 before the NT starts issuing U1A. This chronological order is not displayed for clarification.

### 3.1.5 Complete Deactivation

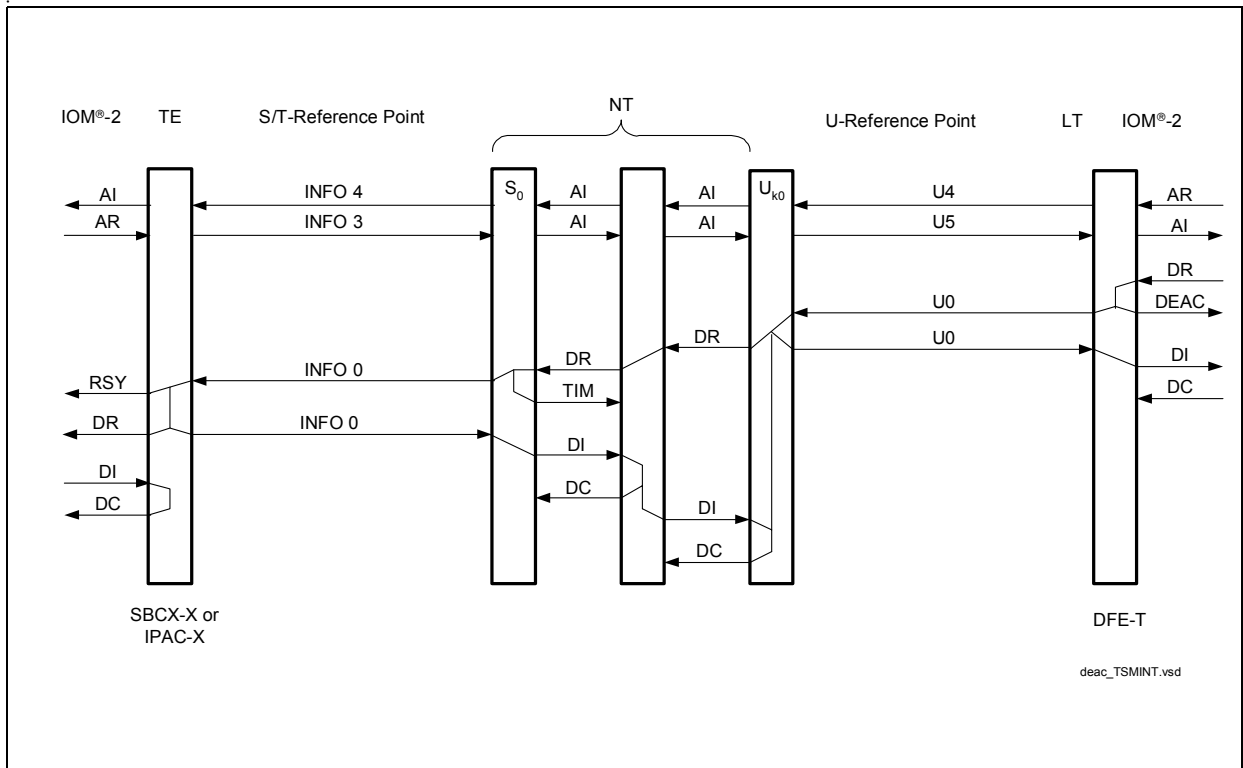
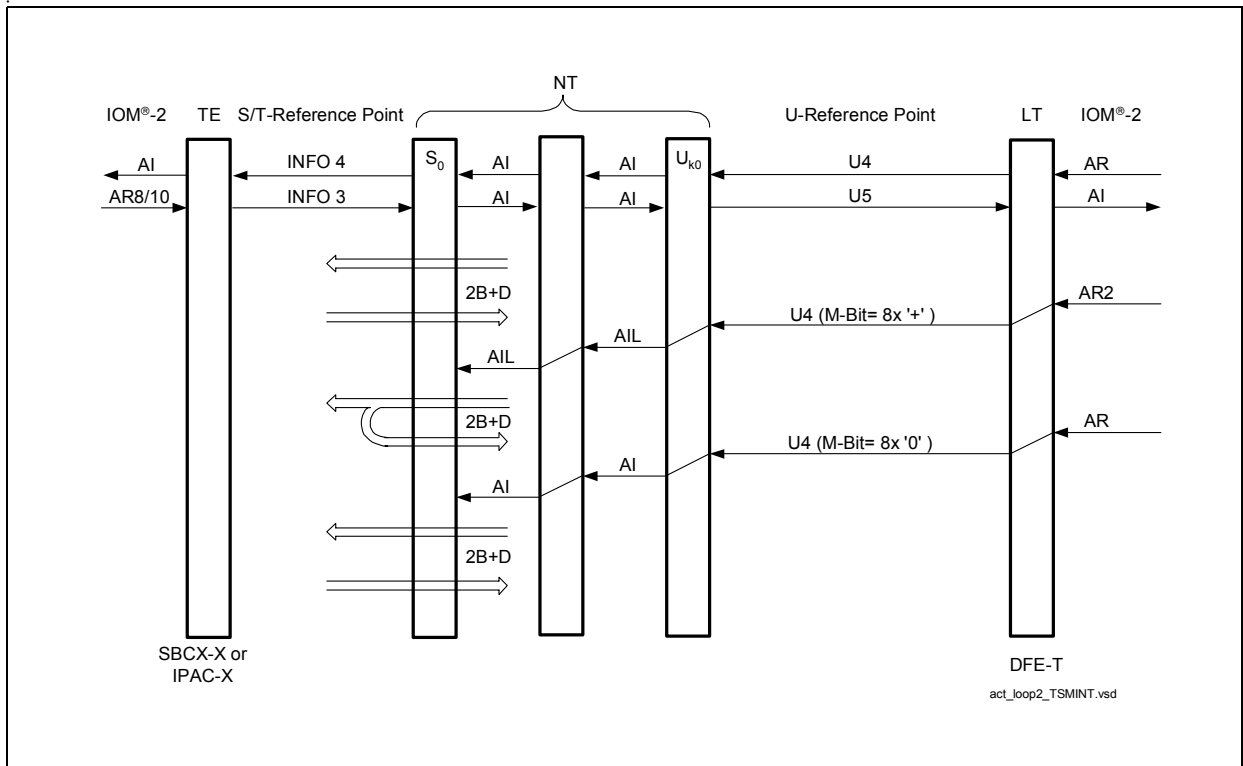


Figure 56 Complete Deactivation

### 3.1.6 Loop 2



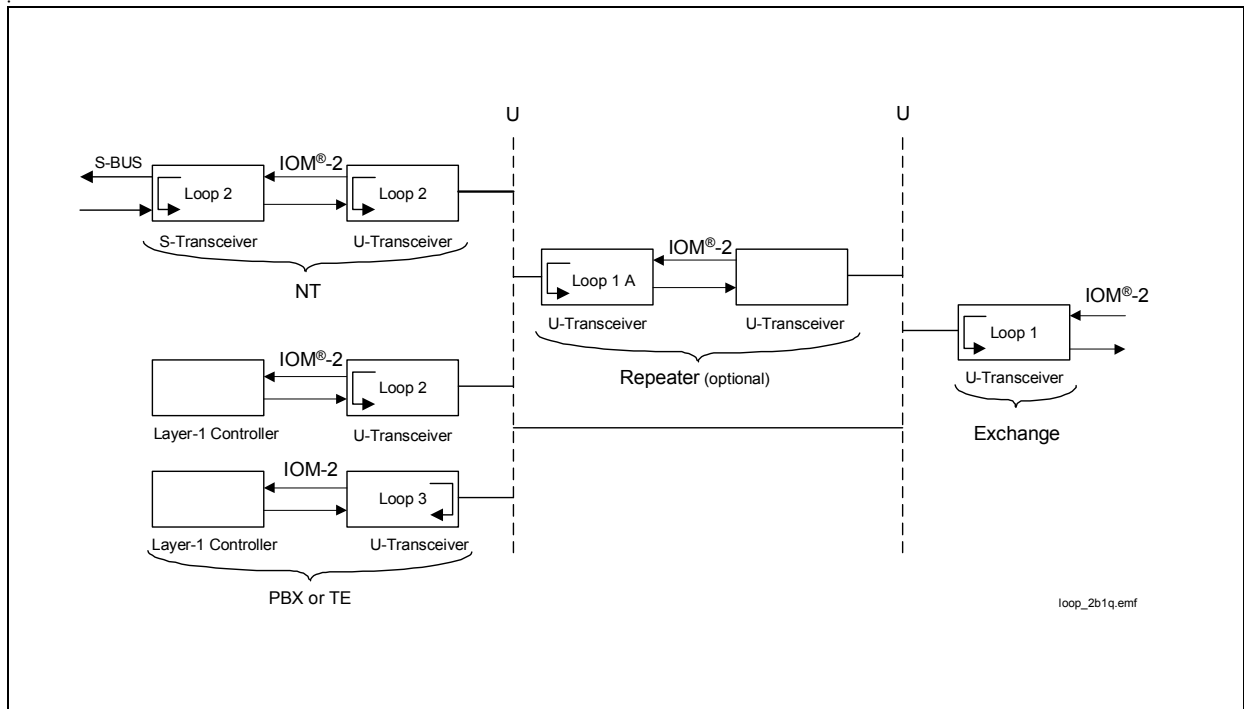
**Figure 57 Loop 2**

Note: Closing/resolving loop 2 may provoke the S-transceiver to resynchronize. In this case, the following C/I-codes are exchanged immediately on reception of AIL/AI, respectively: DU: 'RSY', DU: 'AI', DD: 'AIL'/'AI'.



### 3.2 Layer 1 Loopbacks

Test loopbacks are specified by the national PTTs in order to facilitate the location of defect systems. Four different loopbacks are defined. The position of each loopback is illustrated in **Figure 58**.



**Figure 58 Test Loopbacks**

Loopbacks #1, #1A and #2 are controlled by the exchange. Loopback #3 is controlled locally on the remote side. All four loopback types are transparent. This means all bits that are looped back will also be passed onwards in the normal manner. Only the data looped back internally is processed; signals on the receive pins are ignored. The propagation delay of actually looped B and D channels data must be identical in all loopbacks.

Besides the remote controlled loopback stimulation via the M channel, the T-SMINT®IX features also direct loopback control via its register set.

#### 3.2.1 Analog Loop-Back S-Transceiver

The T-SMINT®IX provides test and diagnostic functions for the S/T interface:

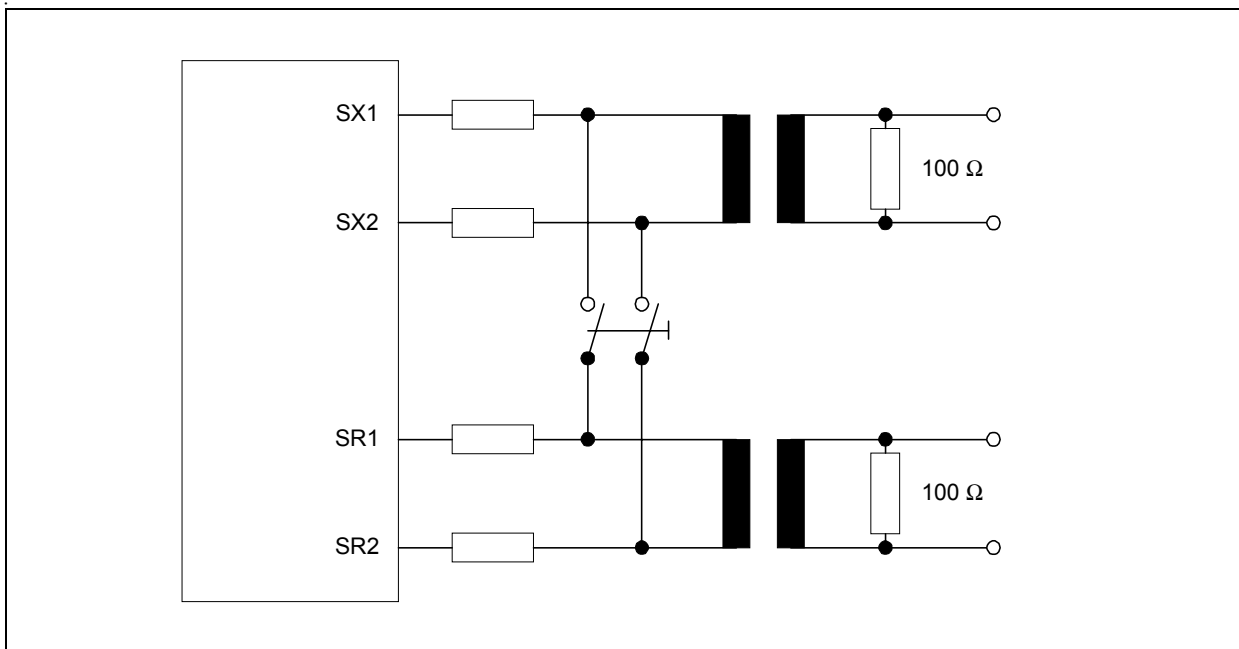
The **internal local loop** (internal Loop A) is activated by a C/I command ARL or by setting the bit LP\_A (Loop Analog) in the S\_CMD register if the layer-1 statemachine is disabled.

The transmit data of the transmitter is looped back internally to the receiver. The data of the IOM®-2 input B- and D-channels are looped back to the output B- and D-channels.

**Operational Description**

The S/T interface level detector is enabled, i.e. if a level is detected this will be reported by the Resynchronization Indication (RSY) but the loop function is not affected. Depending on the DIS\_TX bit in the S\_CONF2 register the internal local loop can be transparent or non transparent to the S/T line.

The **external local loop (external Loop A)** is activated in the same way as the internal local loop described above. Additionally the EXLP bit in the S\_CONF0 register has to be programmed and the loop has to be closed externally as described in **Figure 59**. The S/T interface level detector is disabled.



**Figure 59 External Loop at the S/T-Interface**

**3.2.2 Loopback No.2**

For loopback #2 several alternatives exist. Both the type of loopback and the location may vary. The following loopback types belong to the loopback-#2 category:

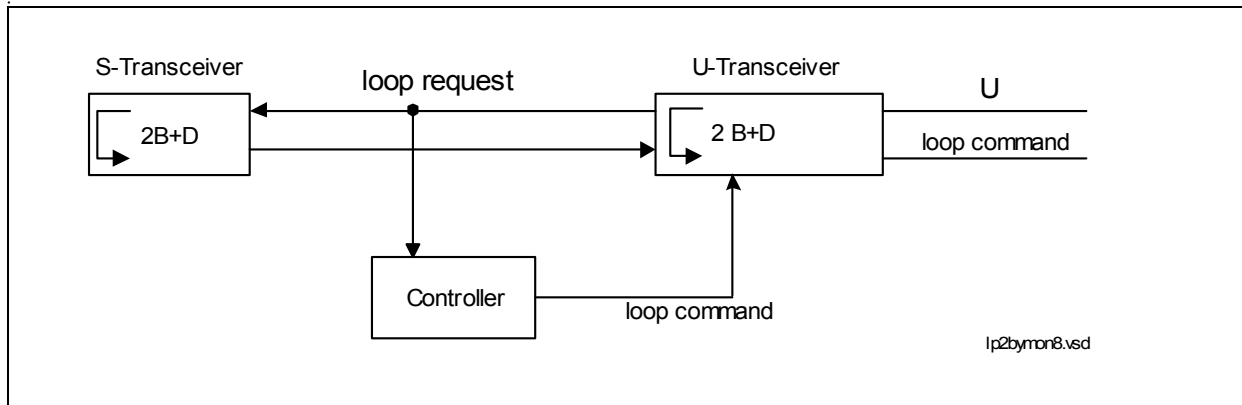
- complete loopback (B1,B2,D), in the U-transceiver
- complete loopback (B1,B2,D), in a downstream device
- B1-channel loopback, always performed in the U-transceiver
- B2-channel loopback, always performed in the U-transceiver

All loop variations performed by the U-transceiver are closed as near to the internal IOM<sup>®</sup>-2 interface as possible.

Normally loopback #2 is controlled by the exchange. The maintenance channel is used for this purpose.

### 3.2.2.1 Complete Loopback

When receiving the request for a complete loopback, the U transceiver passes it on to the downstream device, e.g. the S-bus transceiver. This is achieved by issuing the C/I-code AIL in the “Transparent” state or C/I = ARL in states different than “Transparent”



**Figure 60 Complete Loopback Options in NT-Mode**

The complete loopback is either opened under control of the exchange via the maintenance channel or locally controlled via the  $\mu$ C. No reset is required for loopback #2. The line stays active and is ready for data transmission.

### 3.2.2.2 Loopback No.2 - Single Channel Loopbacks

Single channel loopbacks are always performed directly in the U-Transceiver. No difference between the B1-channel and the B2-channel loopback control procedure exists.

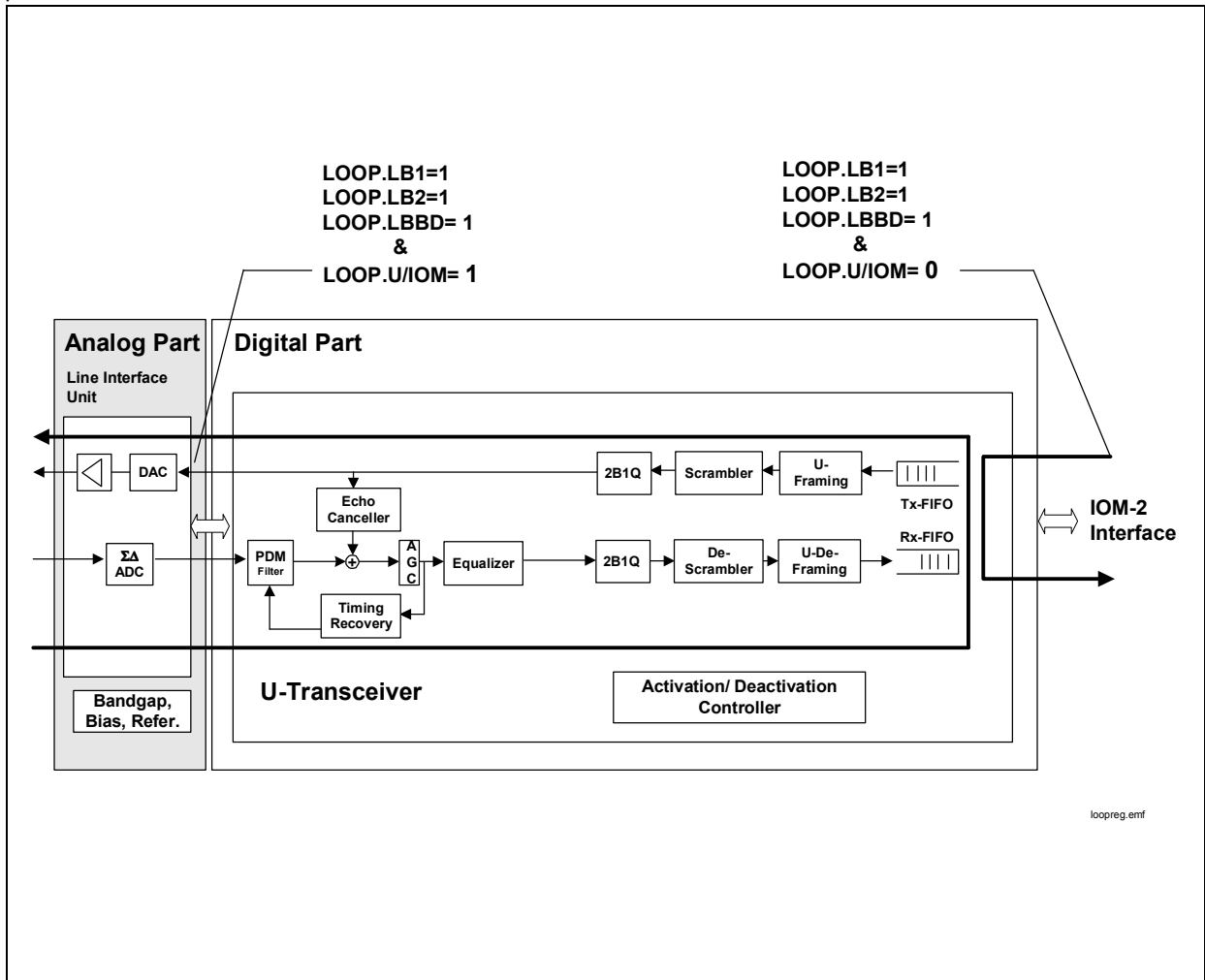
### 3.2.3 Local Loopbacks Featured By the LOOP Register

Besides the standardized remote loopbacks the U-transceiver features additional local loopbacks for enhanced test and debugging facilities. The local loopbacks that are featured by register LOOP are shown in [Figure 61](#). They are closed in the U-transceiver itself and can be activated regardless of the current operational status.

By the LOOP register it can be configured whether the loopback is closed only for the B1 and/or B2 or for 2B+D channels and whether the loopback is closed towards the internal IOM<sup>®</sup>-2 interface or towards the U-Interface.

By default the loopbacks are set to transparent mode. In transparent mode the data is both passed on and looped back. In non-transparent mode the data is not forwarded but substituted by 1s (idle code).

Operational Description



loopreg.emf

Figure 61 Loopbacks Featured by Register LOOP

### 3.3 External Circuitry

#### 3.3.1 Power Supply Blocking Recommendation

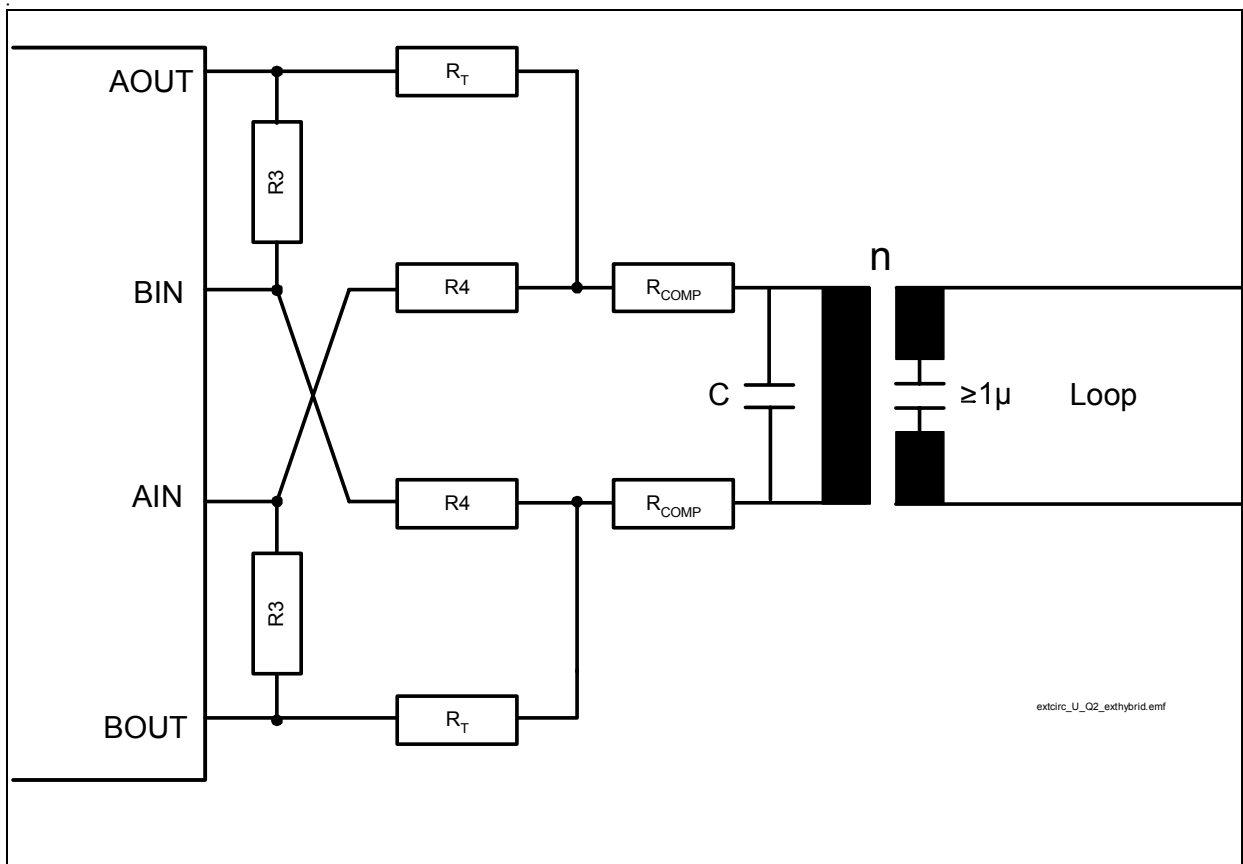
The following blocking circuitry is suggested.



**Figure 62 Power Supply Blocking**

#### 3.3.2 U-Transceiver

The T-SMINTIX is connected to the twisted pair via a transformer. **Figure 63** shows the recommended external circuitry with external hybrid. The recommended protection circuitry is not displayed.



**Figure 63 External Circuitry U-Transceiver with External Hybrid**

**U-Transformer Parameters**

The following table lists parameters of typical U-transformers.

**Table 32 U-Transformer Parameters**

U-Transformer Parameters	Symbol	Value	Unit
U-Transformer ratio; Device side : Line side	n	1 : 1.6	
Main inductanc of windings on the line side	L <sub>H</sub>	7.5	mH
Leakage inductance of windings on the line side	L <sub>S</sub>	120	μH
Coupling capacitance between the windings on the device side and the windings on the line side	C <sub>K</sub>	30	pF
DC resistance of the windings on device side	R <sub>B</sub>	0.9	Ω
DC resistance of the windings on line side	R <sub>L</sub>	1.8	Ω

### Resistors of the External Hybrid R3, R4 and R<sub>T</sub>

$$R_3 = 1.75 \text{ k}\Omega$$

$$R_4 = 1.0 \text{ k}\Omega$$

$$R_T = 25 \text{ }\Omega$$

### Resistors R<sub>COMP</sub> / R<sub>T</sub>

- Optional use of trafos with non negligible resistance R<sub>B</sub>, R<sub>L</sub> requires compensation resistors R<sub>COMP</sub> depending on R<sub>B</sub> and R<sub>L</sub>:

$$n^2 \times (2R_{\text{COMP}} + R_B) + R_L = 20\Omega \quad (1)$$

- Compliance with Return Loss Measurements:

$$n^2 \times (2R_{\text{COMP}} + 2R_T + R_{\text{out}} + R_B) + R_L = 150\Omega \quad (2)$$

R<sub>B</sub>, R<sub>L</sub> : see [Table 32](#)

R<sub>OUT</sub> : see [Table 39](#)

### 15nF Capacitor

To achieve optimum performance the 15nF capacitor should be MKT. A Ceramic capacitor is not recommended.

### Tolerances

- R<sub>s</sub>: 1%
- C = 15nF: 10-20%
- L<sub>H</sub> = 7.5mH: 10%

### 3.3.3 S-Transceiver

In order to comply to the physical requirements of ITU recommendation I.430 and considering the national requirements concerning overvoltage protection and electromagnetic compatibility (EMC), the S-transceiver needs some additional circuitry.

### S-Transformer Parameters

The following **Table 33** lists parameters of a typical S-transformer:

**Table 33 S-Transformer Parameters**

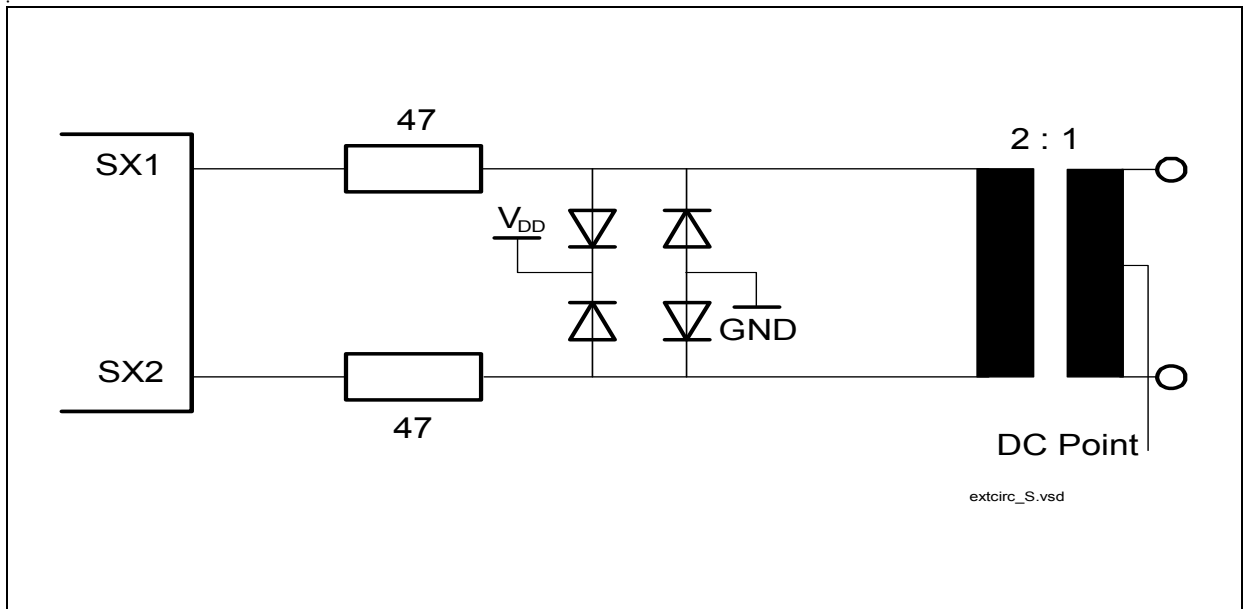
Transformer Parameters	Symbol	Value	Unit
Transformer ratio; Device side : Line side	n	2 : 1	
Main inductance of windings on the line side	$L_H$	typ. 30	mH
Leakage inductance of windings on the line side	$L_S$	typ. <3	$\mu$ H
Coupling capacitance between the windings on the device side and the windings on the line side	$C_K$	typ. <100	pF
DC resistance of the windings on device side	$R_B$	typ. 2.4	$\Omega$
DC resistance of the windings on line side	$R_L$	typ. 1.4	$\Omega$

### Transmitter

The **transmitter** requires external resistors  $R_{stx} = 47\Omega$  in order to adjust the output voltage to the pulse mask (nominal 750 mV according to ITU I.430, to be tested with the test mode “TM1”) on the one hand and in order to meet the output impedance of minimum 20  $\Omega$  on the other hand (to be tested with the testmode ‘Continuous Pulses’) on the other hand.

Note: The resistance of the S-transformer must be taken into account when dimensioning the external resistors  $R_{stx}$ . If the transmit path contains additional components (e.g. a choke), then the resistance of these additional components must be taken into account, too.

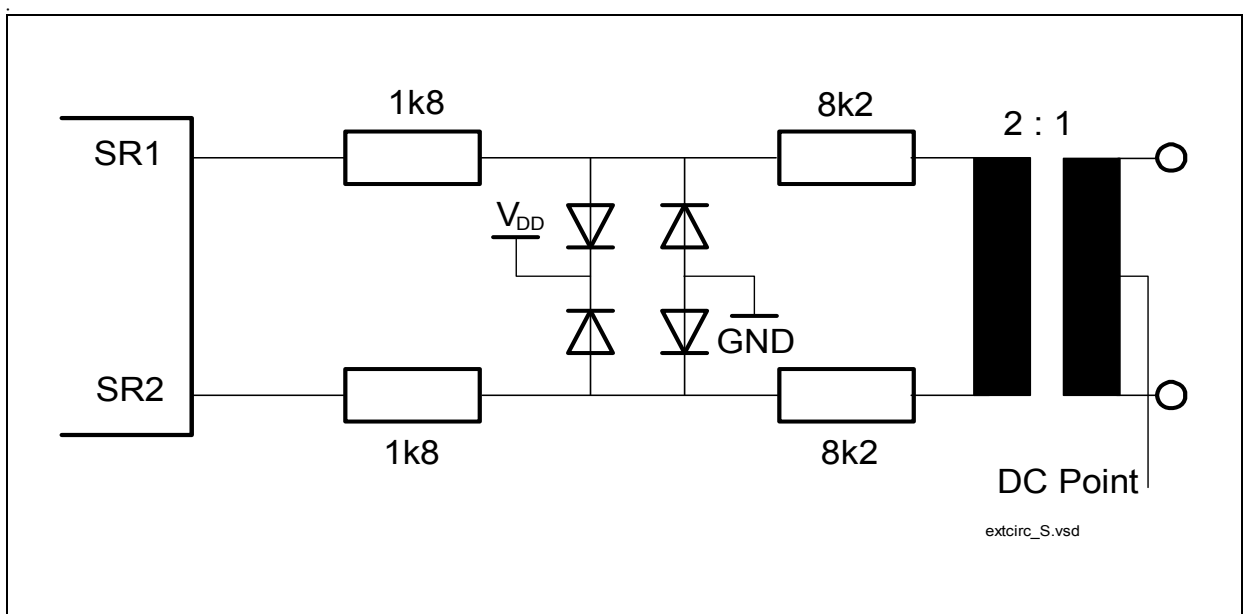




**Figure 64 External Circuitry S-Interface Transmitter**

**Receiver**

The **receiver** of the S-transceiver is symmetrical. 10 kΩ overall resistance are recommended in each receive path. It is preferable to split the resistance into two resistors for each line. This allows to place a high resistance between the transformer and the diode protection circuit (required to pass 96 kHz input impedance test of ITU I.430 [6] and ETS 30012-1). The remaining resistance (1.8 kΩ) protects the S-transceiver itself from input current peaks.



**Figure 65 External Circuitry S-Interface Receiver**

### 3.3.4 Oscillator Circuitry

Figure 66 illustrates the recommended oscillator circuit.

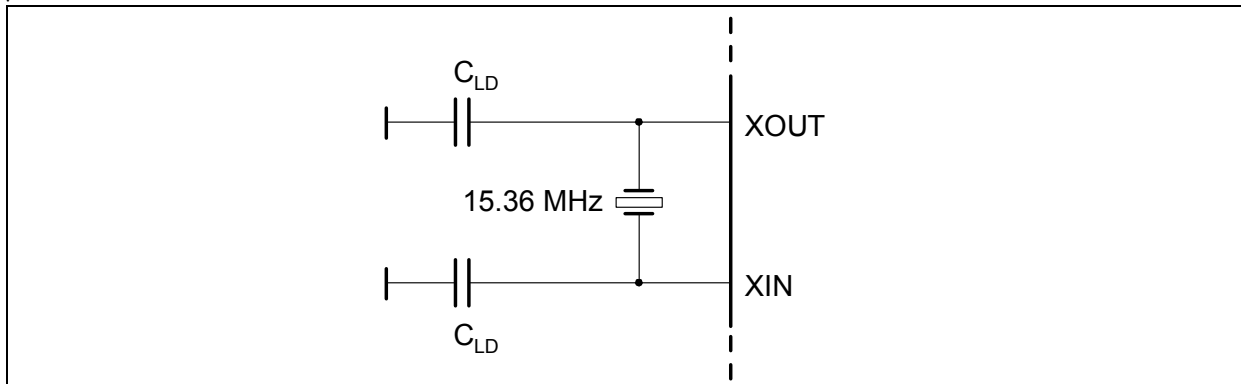


Figure 66 Crystal Oscillator

Table 34 Crystal Parameters

Parameter	Symbol	Limit Values	Unit
Frequency	f	15.36	MHz
Frequency calibration tolerance		+/-60	ppm
Load capacitance	C <sub>L</sub>	20	pF
Max. resonance resistance	R1	20	Ω
Max. shunt capacitance	C <sub>0</sub>	7	pF
Oscillator mode		fundamental	

#### External Components and Parasitics

The load capacitance C<sub>L</sub> is computed from the external capacitances C<sub>LD</sub>, the parasitic capacitances C<sub>Par</sub> (pin and PCB capacitances to ground and V<sub>DD</sub>) and the stray capacitance C<sub>IO</sub> between XIN and XOUT:

$$C_L = \frac{(C_{LD} + C_{Par}) \times (C_{LD} + C_{Par})}{(C_{LD} + C_{Par}) + (C_{LD} + C_{Par})} + C_{IO}$$

For a specific crystal the total load capacitance is predefined, so the equation must be solved for the external capacitances C<sub>LD</sub>, which is usually the only variable to be determined by the circuit designer. Typical values for the capacitances C<sub>LD</sub> connected to the crystal are 22 - 33 pF.

### 3.3.5 General

- low power LEDs

## 4 Register Description

### 4.1 Address Space

7D <sub>H</sub>	U-Transceiver
60 <sub>H</sub>	Monitor Handler
5C <sub>H</sub>	IOM <sup>®</sup> -2 Handler (CDA, TSDP, CR, STI)
40 <sub>H</sub>	Interrupt, Global Registers
3C <sub>H</sub>	S-Transceiver
30 <sub>H</sub>	HDLC Controller, CI Reg.
20 <sub>H</sub>	HDLC RFIFO/XFIFO
00 <sub>H</sub>	

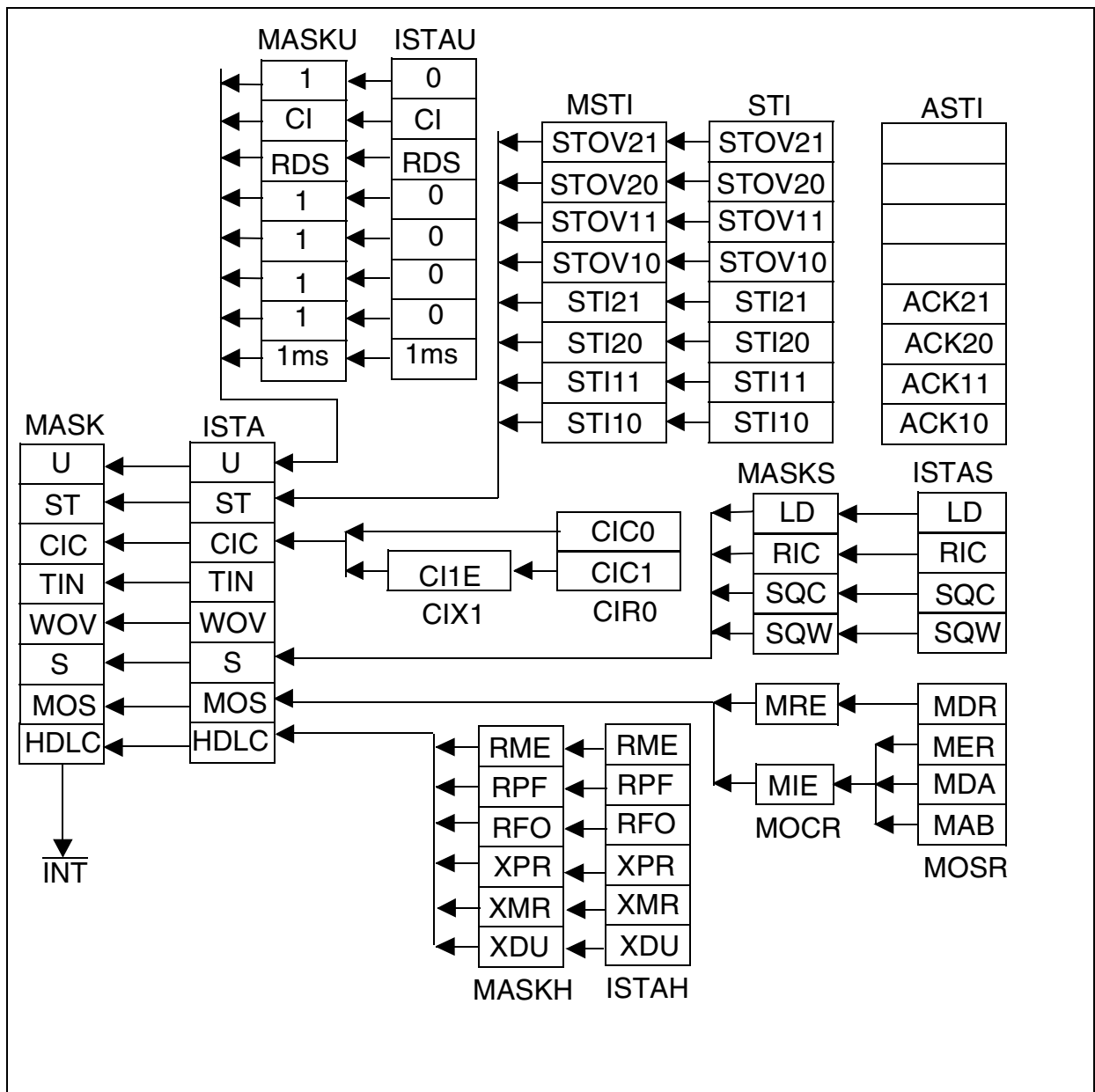
Figure 67 Address Space

## 4.2 Interrupts

Special events in the T-SMINT<sup>®</sup>IX are indicated by means of a single interrupt output, which requests the host to read status information from the T-SMINT<sup>®</sup>IX or transfer data from/to the T-SMINT<sup>®</sup>IX.

Since only one  $\overline{\text{INT}}$  request output is provided, the cause of an interrupt must be determined by the host reading the interrupt status registers of the T-SMINT<sup>®</sup>IX.

The structure of the interrupt status registers is shown in **Figure 68**.



**Figure 68** T-SMINT<sup>®</sup>IX Interrupt Status Registers

---

## Register Description

After the T-SMINT<sup>®</sup>IX has requested an interrupt by setting its  $\overline{\text{INT}}$  pin to low, the host must read first the T-SMINT<sup>®</sup>IX interrupt status register (ISTA) in the associated interrupt service routine. The  $\overline{\text{INT}}$  pin of the T-SMINT<sup>®</sup>IX remains active until all interrupt sources are cleared. Therefore, it is possible that the INT pin is still active when the interrupt service routine is finished.

Each interrupt indication of the interrupt status registers can selectively be masked by setting the respective bit in the MASK register.

For some interrupt controllers or hosts it might be necessary to generate a new edge on the interrupt line to recognize pending interrupts. This can be done by masking all interrupts at the end of the interrupt service routine (writing FF<sub>H</sub> into the MASK register) and writing back the old mask to the MASK register.

Register Description

4.3 Register Summary

r(0) = reserved, implemented as zero

HDLC Control Registers, CI Handler

Name	7	6	5	4	3	2	1	0	ADDR	R/W	RES
RFIFO	D-Channel Receive FIFO								00 <sub>H</sub> -1F <sub>H</sub>	R	
XFIFO	D-Channel Transmit FIFO								00 <sub>H</sub> -1F <sub>H</sub>	W	
ISTAH	RME	RPF	RFO	XPR	XMR	XDU	r(0)	r(0)	20 <sub>H</sub>	R	10 <sub>H</sub>
MASKH	RME	RPF	RFO	XPR	XMR	XDU	0	0	20 <sub>H</sub>	W	FC <sub>H</sub>
STAR	XDOV	XFW	r(0)	r(0)	RACI	r(0)	XACI	r(0)	21 <sub>H</sub>	R	40 <sub>H</sub>
CMDR	RMC	RRES	0	STI	XTF	0	XME	XRES	21 <sub>H</sub>	W	00 <sub>H</sub>
MODEH	MDS2	MDS1	MDS0	r(0)	RAC	DIM2	DIM1	DIM0	22 <sub>H</sub>	R/W	C0 <sub>H</sub>
EXMR	XFBS	RFBS		SRA	XCRC	RCRC	r(0)	ITF	23 <sub>H</sub>	R/W	00 <sub>H</sub>
TIMR	CNT			VALUE					24 <sub>H</sub>	R/W	00 <sub>H</sub>
SAP1	SAPI1						0	MHA	25 <sub>H</sub>	W	FC <sub>H</sub>
SAP2	SAPI2						0	MLA	26 <sub>H</sub>	W	FC <sub>H</sub>
RBCL	RBC7							RBC0	26 <sub>H</sub>	R	00 <sub>H</sub>
RBCH	r(0)	r(0)	r(0)	OV	RBC11			RBC8	27 <sub>H</sub>	R	00 <sub>H</sub>
TEI1	TEI1							EA1	27 <sub>H</sub>	W	FF <sub>H</sub>
TEI2	TEI2							EA1	28 <sub>H</sub>	W	FF <sub>H</sub>
RSTA	VFR	RDO	CRC	RAB	SA1	SA0	C/R	TA	28 <sub>H</sub>	R	0F <sub>H</sub>
TMH	r(0)	r(0)	r(0)	r(0)	r(0)	r(0)	r(0)	TLP	29 <sub>H</sub>	R/W	00 <sub>H</sub>
	reserved								2A <sub>H</sub> -2D <sub>H</sub>		

**Register Description**

CIR0	CODR0	CIC0	CIC1	S/G	BAS	2E <sub>H</sub>	R	F3 <sub>H</sub>
CIX0	CODX0	TBA2	TBA1	TBA0	BAC	2E <sub>H</sub>	W	FE <sub>H</sub>
CIR1	CODR1			CICW	CI1E	2F <sub>H</sub>	R	FE <sub>H</sub>
CIX1	CODX1			CICW	CI1E	2F <sub>H</sub>	W	FE <sub>H</sub>

Register Description

**S-Transceiver**

Name	7	6	5	4	3	2	1	0	ADDR	R/W	RES
S_CONF0	DIS_TR	BUS	EN_ICV	0	L1SW	0	EXLP	0	30 <sub>H</sub>	R/W	40 <sub>H</sub>
	reserved								31 <sub>H</sub>		
S_CONF2	DIS_TX	0	0	0	0	0	0	0	32 <sub>H</sub>	R/W	80 <sub>H</sub>
S_STA	RINF		0	ICV	0	FSYN	0	LD	33 <sub>H</sub>	R	00 <sub>H</sub>
S_CMD	XINF			DPRIO	1	PD	LP_A	0	34 <sub>H</sub>	R/W	08 <sub>H</sub>
SQRR	MSYN	MFEN	0	0	SQR1	SQR2	SQR3	SQR4	35 <sub>H</sub>	R	00 <sub>H</sub>
SQXR	0	MFEN	0	0	SQX1	SQX2	SQX3	SQX4	35 <sub>H</sub>	W	00 <sub>H</sub>
	reserved								36 <sub>H</sub> -37 <sub>H</sub>		
ISTAS	0	x	x	x	LD	RIC	SQC	SQW	38 <sub>H</sub>	R	00 <sub>H</sub>
MASKS	1	1	1	1	LD	RIC	SQC	SQW	39 <sub>H</sub>	R/W	FF <sub>H</sub>
S_MODE	0	0	0	0	DCH_INH	MODE2-0			3A <sub>H</sub>	R/W	02 <sub>H</sub>
	reserved								3B <sub>H</sub>		



Register Description

**Interrupt, General Configuration**

Name	7	6	5	4	3	2	1	0	ADDR	R/W	RES	
ISTA	U	ST	CIC	TIN	WOV	S	MOS	HDLC	3C <sub>H</sub>	R	00 <sub>H</sub>	
MASK	U	ST	CIC	TIN	WOV	S	MOS	HDLC	3C <sub>H</sub>	W	FF <sub>H</sub>	
MODE1	MCLK		CDS	WTC1	WTC2	CFS	RSS2	RSS1	3D <sub>H</sub>	R/W	04 <sub>H</sub>	
MODE2	LED2	LED1	LEDC		0	0	AMOD	PPSDX	3E <sub>H</sub>	R/W	00 <sub>H</sub>	
ID	0	0	DESIGN							3F <sub>H</sub>	R	20 <sub>H</sub>
SRES	0	0	RES_ CI/TIC	0	RES_ HDLC	0	RES_ S	RES_ U	3F <sub>H</sub>	W	00 <sub>H</sub>	

Register Description

**IOM Handler (Timeslot, Data Port Selection, CDA Data and CDA Control Register)**

Name	7	6	5	4	3	2	1	0	ADDR	R/W	RES
CDA10	Controller Data Access Register								40 <sub>H</sub>	R/W	FF <sub>H</sub>
CDA11	Controller Data Access Register								41 <sub>H</sub>	R/W	FF <sub>H</sub>
CDA20	Controller Data Access Register								42 <sub>H</sub>	R/W	FF <sub>H</sub>
CDA21	Controller Data Access Register								43 <sub>H</sub>	R/W	FF <sub>H</sub>
CDA_ TSDP10	DPS	0	0	0	TSS				44 <sub>H</sub>	R/W	00 <sub>H</sub>
CDA_ TSDP11	DPS	0	0	0	TSS				45 <sub>H</sub>	R/W	01 <sub>H</sub>
CDA_ TSDP20	DPS	0	0	0	TSS				46 <sub>H</sub>	R/W	80 <sub>H</sub>
CDA_ TSDP21	DPS	0	0	0	TSS				47 <sub>H</sub>	R/W	81 <sub>H</sub>
	reserved								48 <sub>H</sub> - 4B <sub>H</sub>		
S_ TSDP_ B1	DPS	0	0	0	TSS				4C <sub>H</sub>	R/W	84 <sub>H</sub>
S_ TSDP_ B2	DPS	0	0	0	TSS				4D <sub>H</sub>	R/W	85 <sub>H</sub>
CDA1_ CR	0	0	EN_ TBM	EN_I1	EN_I0	EN_O1	EN_O0	SWAP	4E <sub>H</sub>	R/W	00 <sub>H</sub>
CDA2_ CR	0	0	EN_ TBM	EN_I1	EN_I0	EN_O1	EN_O0	SWAP	4F <sub>H</sub>	R/W	00 <sub>H</sub>

Register Description

**IOM Handler (Control Registers, Synchronous Transfer Interrupt Control)**

Name	7	6	5	4	3	2	1	0	ADDR	R/W	RES
	reserved								50 <sub>H</sub>		
S_CR	1	CI_CS	EN_D	EN_B2R	EN_B1R	EN_B2X	EN_B1X	D_CS	51 <sub>H</sub>	R/W	FF <sub>H</sub>
HCI_CR	DPS_CI1	EN_CI1	EN_D	EN_B2H	EN_B1H	DPS_H	HCS		52 <sub>H</sub>	R/W	04 <sub>H</sub>
MON_CR	DPS	EN_MON	0	0	0	0	MCS		53 <sub>H</sub>	R/W	40 <sub>H</sub>
SDS1_CR	ENS_TSS	ENS_TSS+1	ENS_TSS+3	0	TSS				54 <sub>H</sub>	R/W	00 <sub>H</sub>
SDS2_CR	ENS_TSS	ENS_TSS+1	ENS_TSS+3	0	TSS				55 <sub>H</sub>	R/W	00 <sub>H</sub>
IOM_CR	SPU	0	0	TIC_DIS	EN_BCL	0	DIS_OD	DIS_IOM	56 <sub>H</sub>	R/W	08 <sub>H</sub>
MCDA	MCDA21		MCDA20		MCDA11		MCDA10		57 <sub>H</sub>	R	FF <sub>H</sub>
STI	STOV <sub>21</sub>	STOV <sub>20</sub>	STOV <sub>11</sub>	STOV <sub>10</sub>	STI <sub>21</sub>	STI <sub>20</sub>	STI <sub>11</sub>	STI <sub>10</sub>	58 <sub>H</sub>	R	00 <sub>H</sub>
ASTI	0	0	0	0	ACK <sub>21</sub>	ACK <sub>20</sub>	ACK <sub>11</sub>	ACK <sub>10</sub>	58 <sub>H</sub>	W	00 <sub>H</sub>
MSTI	STOV <sub>21</sub>	STOV <sub>20</sub>	STOV <sub>11</sub>	STOV <sub>10</sub>	STI <sub>21</sub>	STI <sub>20</sub>	STI <sub>11</sub>	STI <sub>10</sub>	59 <sub>H</sub>	R/W	FF <sub>H</sub>
	reserved								5A <sub>H</sub> -5B <sub>H</sub>		

Register Description

**MONITOR Handler**

Name	7	6	5	4	3	2	1	0	ADDR	R/W	RES
MOR	MONITOR Receive Data								5C <sub>H</sub>	R	FF <sub>H</sub>
MOX	MONITOR Transmit Data								5C <sub>H</sub>	W	FF <sub>H</sub>
MOSR	MDR	MER	MDA	MAB	0	0	0	0	5D <sub>H</sub>	R	00 <sub>H</sub>
MOCR	MRE	MRC	MIE	MXC	0	0	0	0	5E <sub>H</sub>	R/W	00 <sub>H</sub>
MSTA	0	0	0	0	0	MAC	0	TOUT	5F <sub>H</sub>	R	00 <sub>H</sub>
MCONF	0	0	0	0	0	0	0	TOUT	5F <sub>H</sub>	W	00 <sub>H</sub>

**U-Transceiver**

Name	7	6	5	4	3	2	1	0	ADDR	R/W	RES
OPMODE	0	UCI	0	0	0	0	0	0	60 <sub>H</sub>	R*/W	00 <sub>H</sub>
	reserved								61 <sub>H</sub> - 6C <sub>H</sub>		
UCIR	0	0	0	0	C/I code output				6D <sub>H</sub>	R	00 <sub>H</sub>
UCIW	0	0	0	0	C/I code input				6E <sub>H</sub>	W	01 <sub>H</sub>
LOOP	reserved								6F <sub>H</sub>		
	0	0	TRANS	U/IOM	1	LBBD	LB2	LB1	70 <sub>H</sub>	R*/W	08 <sub>H</sub>
RDS	reserved								71 <sub>H</sub>		
	Block Error Counter Value								72 <sub>H</sub>	R	00 <sub>H</sub>
ISTAU	reserved								73 <sub>H</sub> - 79 <sub>H</sub>		
	0	CI	RDS	0	0	0	0	1 ms	7A <sub>H</sub>	R	00 <sub>H</sub>
MASKU	1	CI	RDS	1	1	1	1	1 ms	7B <sub>H</sub>	R*/W	FF <sub>H</sub>
	reserved								7C <sub>H</sub>		
FW_VERSION	FW Version Number								7D <sub>H</sub>	R	3E <sub>H</sub>

Note: Registers, which are denoted as ‘reserved’, may not be accessed by the  $\mu$ C, neither for read nor for write operations.

**4.3.1 Reset of U-Transceiver Functions During Deactivation or with C/I-Code RESET**

The following U-transceiver register is reset upon transition to state ‘Deactivating’ or with software reset:

**Table 35 Reset of U-Transceiver Functions During Deactivation or with C/I-Code RESET**

Register	Affected Bits/ Comment
LOOP	only the bits LBBD, LB2 and LB1 are reset

### 4.3.2 Mode Register Evaluation Timing

**Table 36** lists registers, which are evaluated and executed immediately.

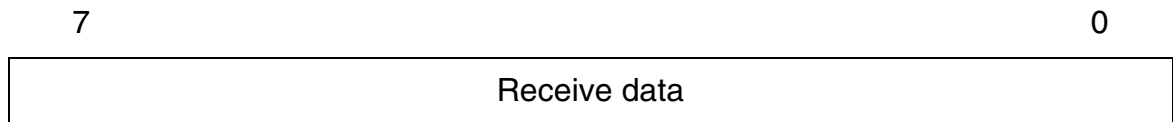
**Table 36 Mode Register with Immediate Evaluation and Execution**

Register	Affected Bits	Comment
OPMODE	UCI	
LOOP	complete register	
MASKU	complete register	

## 4.4 Detailed HDLC Control and C/I Registers

### 4.4.1 RFIFO - Receive FIFO

**RFIFO** read Address: 00-1F<sub>H</sub>



The RFIFO contains up to 32 bytes of received data.

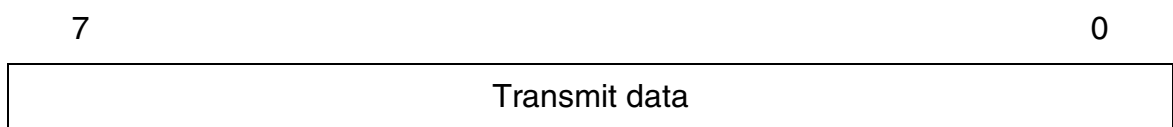
After an ISTAH.RPF interrupt, a complete data block is available. The block size can be 4, 8, 16, 32 bytes depending on the EXMR.RFBS setting.

After an ISTAH.RME interrupt, the number of received bytes can be obtained by reading the RBCL register.

A read access to any address within the range 00<sub>H</sub>-1F<sub>H</sub> gives access to the “current” FIFO location selected by an internal pointer which is automatically incremented after each read access. This allows for the use of efficient “move string” type commands by the microcontroller.

### 4.4.2 XFIFO - Transmit FIFO

**XFIFO** write Address: 00-1F<sub>H</sub>



Depending on EXMR.XFBS up to 16 or 32 bytes of transmit data can be written to the XFIFO following an ISTAH.XPR interrupt.

A write access to any address within the range 00-1F<sub>H</sub> gives access to the “current” FIFO location selected by an internal pointer which is automatically incremented after each write access. This allows the use of efficient “move string” type commands by the microcontroller.

### 4.4.3 ISTAH - Interrupt Status Register HDLC

**ISTAH** read Address: 20<sub>H</sub>

Value after reset: 10<sub>H</sub>

**Register Description**

Note: The reset value cannot be read right after reset as all interrupts are masked, i.e. the XPR interrupt remains internally stored and can only be read as soon as the corresponding mask bit is set to “0”.

7	6	5	4	3	2	1	0
RME	RPF	RFO	XPR	XMR	XDU	r(0)	r(0)

**RME** Receive Message End

0 = inactive

1 = One complete frame of length less than or equal to the defined block size (EXMR.RFBS) or the last part of a frame of length greater than the defined block size has been received. The contents are available in the RFIFO. The message length and additional information may be obtained from RBCH and RBCL and the RSTA register.

**RPF** Receive Full

0 = inactive

1 = A data block of a frame longer than the defined block size (EXMR.RFBS) has been received and is available in the RFIFO. The frame is not yet complete.

**RFO** Receive Frame Overflow

0 = inactive

1 = The received data of a frame could not be stored, because the RFIFO is occupied. The whole message is lost. This interrupt can be used for statistical purposes and indicates that the microcontroller does not respond quickly enough to a RPF or RME interrupt (ISTAH).

**XPR** Transmit Pool Ready

0 = inactive



Register Description

- 1 = A data block of up to the defined block size (EXMR.XFBS) can be written to the XFIFO.  
 A XPR interrupt will be generated in the following cases:
- after a XTF or XME command as soon as the 16 / 32 bytes in the XFIFO are available and the frame is not yet complete.
  - after a XTF together with a XME command is issued, when the whole frame has been transmitted.
  - after reset
  - after XRES

**XMR** Transmit Message Repeat

- 0 = inactive
- 1 = The transmission of the last frame has to be repeated because a collision on the S bus has been detected after the 16<sup>th</sup>/32<sup>nd</sup> data byte of a transmit frame.
- If a XMR interrupt occurs the transmit FIFO is locked until the XMR interrupt is read by the host (interrupt cannot be read if masked in MASKH).

**XDU** Transmit Data Underrun

- 0 = inactive
- 1 = The current transmission of a frame is aborted by transmitting seven '1's because the XFIFO holds no further data. This interrupt occurs whenever the microcontroller has failed to respond to a XPR interrupt (ISTAH register) quick enough, after having initiated a transmission and the message to be transmitted is not yet complete.
- If a XMR interrupt occurs the transmit FIFO is locked until the XDU interrupt is read by the host (interrupt cannot be read if masked in MASKH).

**4.4.4 MASKH - Mask Register HDLC**

**MASKH** write Address: 20<sub>H</sub>  
 Value after reset: FC<sub>H</sub>

Register Description

7	6	5	4	3	2	1	0
RME	RPF	RFO	XPR	XMR	XDU	0	0

Each interrupt source in the ISTAH register can be selectively masked by setting the corresponding bit in MASKH to '1'. Masked interrupt status bits are not indicated when ISTAH is read. Instead, they remain internally stored and pending, until the mask bit is reset to '0'.

**Bit 0..7** Mask Bits  
 0 = interrupt active  
 1 = interrupt masked

**4.4.5 STAR - Status Register**

**STAR** read Address: 21<sub>H</sub>  
 Value after reset: 40<sub>H</sub>

7	6	5	4	3	2	1	0
XDOV	XFW	r(0)	r(0)	RACI	r(0)	XACI	0

**XDOV** Transmit Data Overflow  
 0 = No transmit data overflow  
 1 = More than the selected block size of 16 or 32 bytes have been written into the XFIFO, i.e. data has been overwritten.

**XFW** Transmit FIFO Write Enable  
 0 = Data can not be written in the XFIFO  
 1 = Data can be written in the XFIFO. This bit may be polled instead of (or in addition to) using the XPR interrupt.

**RACI** Receiver Active Indication  
 0 = The HDLC receiver is not active

Register Description

1 = The HDLC receiver is active when RACI = '1'. This bit may be polled. The RACI bit is set active after a begin flag has been received and is reset after receiving an abort sequence.

**XACI** Transmitter Active Indication

0 = The HDLC-transmitter is not active

1 = The HDLC-transmitter is active when XACI = '1'. This bit may be polled. The XACI-bit is active when a XTF-command is issued and the frame has not been completely transmitted.

**4.4.6 CMDR - Command Register**

**CMDR** write Address: 21<sub>H</sub>

Value after reset: 00<sub>H</sub>

7	6	5	4	3	2	1	0
RMC	RRES	0	STI	XTF	0	XME	XRES

**RMC** Receive Message Complete

0 = inactive

1 = Reaction to RPF (Receive Pool Full) or RME (Receive Message End) interrupt. By setting this bit, the microcontroller confirms that it has fetched the data, and indicates that the corresponding space in the RFIFO may be released.

**RRES** Receiver Reset

0 = inactive

1 = HDLC receiver is reset, the RFIFO is cleared of any data.

**STI** Start Timer

0 = inactive

1 = The T-SMINT<sup>®</sup>IX hardware timer is started (see TIMR register).

**XTF** Transmit Transparent Frame

0 = inactive

Register Description

1 = After having written up to 16 or 32 bytes (EXMR.XFBS) in the XFIFO, the microcontroller initiates the transmission of a transparent frame by setting this bit to '1'. The opening flag is automatically added to the message by the T-SMINT<sup>®</sup>IX except in the extended transparent mode.

**XME** Transmit Message End

0 = inactive

1 = By setting this bit to '1' the microcontroller indicates that the data block written last in the XFIFO completes the corresponding frame. The T-SMINT<sup>®</sup>IX completes the transmission by appending the CRC (if XCRC = 0) and the closing flag sequence to the data except in the extended transparent mode.

**XRES** Transmitter Reset

0 = inactive

1 = HDLC transmitter is reset and the XFIFO is cleared of any data. This command can be used by the microcontroller to abort a frame currently in transmission.

All of these bits must not be set twice within one BCL clock cycle.

Note: After a XPR interrupt further data has to be written to the XFIFO and the appropriate Transmit Command (XTF) has to be written to the CMDR register again to continue transmission, when the current frame is not yet complete (see also XPR in ISTAH).

During frame transmission, the 0-bit insertion according to the HDLC bit-stuffing mechanism is done automatically except in extended transparent mode.

**4.4.7 MODEH - Mode Register HDLC Controller**

**MODEH** read/write Address: 22<sub>H</sub>

Value after reset: C0<sub>H</sub>

7							0
MDS2	MDS1	MDS0	r(0)	RAC	DIM2	DIM1	DIM0

Register Description

**MDS2-0** Mode Select

Determines the message transfer mode of the HDLC controller, as follows  
:

MDS2-0	Mode	Address Comparison		Remark
		1.Byte	2.Byte	
0 0 0	Reserved	–	–	–
0 0 1	Reserved	–	–	–
0 1 0	Non-Auto mode/8	TEI1,TEI2	–	One-byte address compare.
0 1 1	Non-Auto mode/16	SAP1,SAP2, SAPG	TEI1,TEI2, TEIG	Two-byte address compare.
1 0 0	Extended transparent mode	–	–	–
1 1 0	Transparent mode 0	–	–	No address compare. All frames accepted.
1 1 1	Transparent mode 1	SAP1,SAP2, SAPG	–	High-byte address compare.
1 0 1	Transparent mode 2	–	TEI1,TEI2, TEIG	Low-byte address compare.

Note: SAP1, SAP2: two programmable address values for the first received address byte (in the case of an address field longer than 1 byte);  
SAPG = fixed value FC / FE<sub>H</sub>.  
TEI1, TEI2: two programmable address values for the second (or the only, in the case of a one-byte address) received address byte; TEIG = fixed value FF<sub>H</sub>.

Two different methods of the high byte and/or low byte address comparison can be selected by setting SAP1.MHA and/or SAP2.MLA (see also description of these bits in [Chapter 4.4.10](#) or [Chapter 4.4.11](#) respectively).

**RAC** Receiver Active

- 0 = The HDLC data is not evaluated in the receiver
- 1 = The HDLC receiver is activated

**DIM2-0** Digital Interface Modes

These bits define the characteristics of the IOM Data Ports (DU, DD). The DIM0 bit enables/disables the stop/go bit (S/G) evaluation. The DIM1 bit enables/disables the TIC bus access. The effect of the individual DIM bits is as follows:

- 0-0 = Stop/go bit evaluation is disabled
- 0-1 = Stop/go bit evaluation is enabled
- 00- = TIC bus access is enabled
- 01- = TIC bus access is disabled
- 1xx = Reserved

**4.4.8 EXMR - Extended Mode Register**

**EXMR** read/write Address: 23<sub>H</sub>

Value after reset: 00<sub>H</sub>

7							0
XFBS	RFBS	SRA	XCRC	RCRC	r(0)	ITF	

**XFBS** Transmit FIFO Block Size

- 0 = Block size for the transmit FIFO data is 32 byte
- 1 = Block size for the transmit FIFO data is 16 byte

Note: A change of XFBS will take effect after a transmitter command (CMDR.XME, CMDR.XRES, CMDR.XTF) has been written.

**RFBS** Receive FIFO Block Size

- 00 = 32 byte
- 01 = 16 byte
- 10 = 8 byte
- 11 = 4 byte

Note: A change of RFBS will take effect after a receiver command (CMDR.RMC, CMDR.RRES) has been written.

Register Description

**SRA** Store Receive Address  
 0 = Receive Address is not stored in the RFIFO  
 1 = Receive Address is stored in the RFIFO

**XCRC** Transmit CRC  
 0 = CRC is transmitted  
 1 = CRC is not transmitted

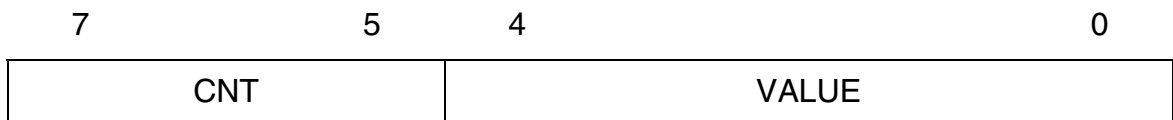
**RCRC** Receive CRC  
 0 = CRC is not stored in the RFIFO  
 1 = CRC is stored in the RFIFO

**ITF** Interframe Time Fill  
 Selects the inter-frame time fill signal which is transmitted between HDLC-frames.  
 0 = idle (continuous '1')  
 1 = flags (sequence of patterns: '0111 1110')

Note: ITF must be set to '0' for power down mode.  
 In applications with D-channel access handling (collision resolution), the only possible inter-frame time fill is idle (continuous '1'). Otherwise the D-channel on the S/T-bus cannot be accessed.

**4.4.9 TIMR - Timer Register**

**TIMR** read/write Address: 24<sub>H</sub>  
 Value after reset: 00<sub>H</sub>



Register Description

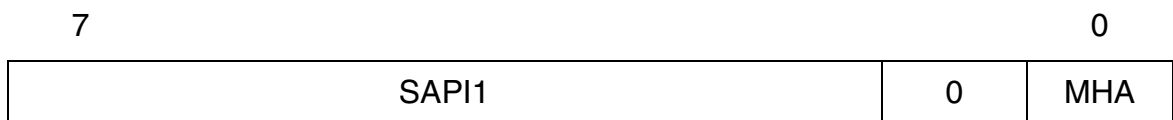
**CNT** CNT together with VALUE determines the time period T after which a TIN interrupt (ISTA) will be generated in the normal case:  
 CNT=0...6:  $T = CNT \times 2.048 \text{ sec} + T1$  with  $T1 = (VALUE+1) \times 0.064 \text{ sec}$   
 CNT=7:  $T = T1 = (VALUE+1) \times 0.064 \text{ sec}$  (generated periodically)  
 The timer can be started by setting the STI-bit in CMDR and will be stopped when a TIN interrupt is generated or the TIMR register is written.

Note: If CNT is set to 7, a TIN interrupt is indefinitely generated after every expiration of  $T = T1$ .

**VALUE** Determines the time period T1  
 $T1 = (VALUE + 1) \times 0.064 \text{ sec}$

4.4.10 SAP1 - SAPI1 Register

**SAP1** write Address: 25<sub>H</sub>  
 Value after reset: FC<sub>H</sub>



**SAPI1** SAPI1 value  
 Value of the programmable high address byte. In ISDN LADP protocol (D-channel) this is the Service Access Point Identifier (SAPI) and for B-channel applications it is the RAH value.

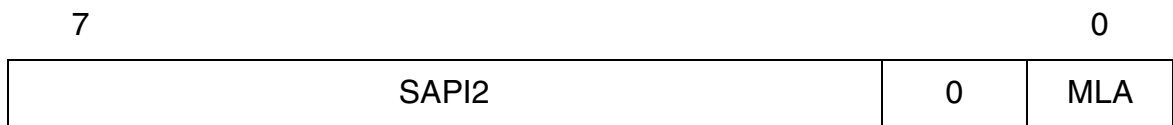
**MHA** Mask High Address  
 0 = The high address of an incoming frame is compared with SAP1, SAP2 and SAPG.  
 1 = The high address of an incoming frame is compared with SAP1 and SAPG.  
 SAP1 can be masked with SAP2. Bit positions of SAP1 are not compared if they are set to '1' in SAP2.



Register Description

**4.4.11 SAP2 - SAPI2 Register**

**SAP2** write Address: 26<sub>H</sub>  
 Value after reset: FC<sub>H</sub>

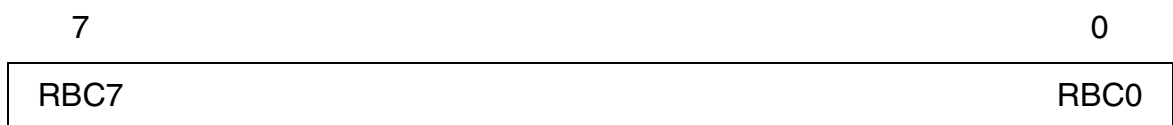


**SAPI2** SAPI2 value  
 Value of the programmable high address byte. In ISDN LADP protocol (D-channel) this is the Service Access Point Identifier (SAPI) and for B-channel applications it is the RAL value.

**MLA** Mask Low Address  
 0 = The TEI address of an incoming frame is compared with TEI1, TEI2 and TEIG.  
 1 = The TEI address of an incoming frame is compared with TEI1 and TEIG.  
 TEI1 can be masked with TEI2. Bit positions of TEI1 are not compared if they are set to '1' in TEI2.

**4.4.12 RBCL - Receive Frame Byte Count Low**

**RBCL** read Address: 26<sub>H</sub>  
 Value after reset: 00<sub>H</sub>



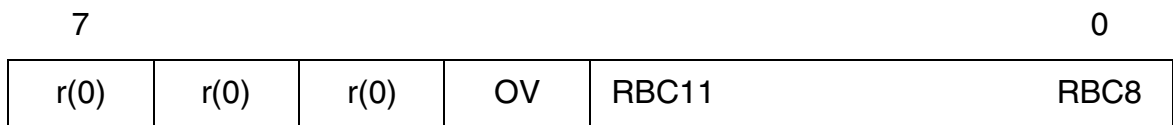
**RBC7-0** Receive Byte Count  
 Eight least significant bits of the total number of bytes in a received message (see RBCH register).

Register Description

**4.4.13 RBCH - Receive Frame Byte Count High for D-Channel**

**RBCH** read Address: 27<sub>H</sub>

Value after reset: 00<sub>H</sub>.



**OV** Overflow

0 = Message shorter than  $(2^{12} - 1) = 4095$  bytes.

1 = Message longer than  $(2^{12} - 1) = 4095$  bytes.

**RBC8-11** Receive Byte Count

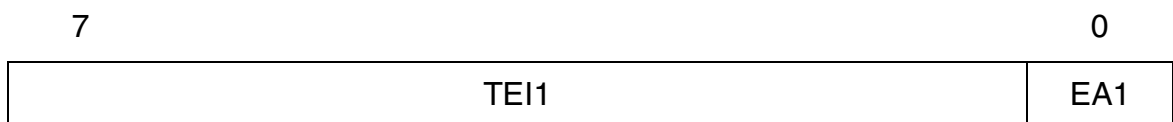
Four most significant bits of the total number of bytes in a received message (see RBCL register).

Note: Normally RBCH and RBCL should be read by the microcontroller after a RME-interrupt, in order to determine the number of bytes to be read from the RFIFO, and the total message length. The contents of the registers are valid only after a RME or RPF interrupt, and remain so until the frame is acknowledged via the RMC bit or RRES.

**4.4.14 TEI1 - TEI1 Register**

**TEI1** write Address: 27<sub>H</sub>

Value after reset: FF<sub>H</sub>



Register Description

**TEI1** Terminal Endpoint Identifier

In all message transfer modes except for transparent modes 0, 1 and extended transparent mode, TEI1 is used by the T-SMINT<sup>®</sup>IX for address recognition. In the case of a two-byte address field, it contains the value of the first programmable Terminal Endpoint Identifier according to the ISDN LAPD-protocol.

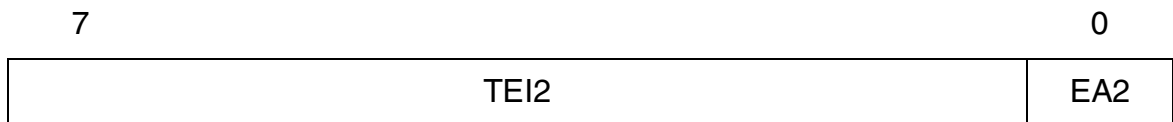
**EA1** Address Field Extension Bit

This bit is set to '1' according to HDLC/LAPD.

**4.4.15 TEI2 - TEI2 Register**

**TEI2** write Address: 28<sub>H</sub>

Value after reset: FF<sub>H</sub>



**TEI2** Terminal Endpoint Identifier

In all message transfer modes except in transparent modes 0, 1 and extended transparent mode, TEI2 is used by the T-SMINT<sup>®</sup>IX for address recognition. In the case of a two-byte address field, it contains the value of the second programmable Terminal Endpoint Identifier according to the ISDN LAPD-protocol.

**EA2** Address Field Extension Bit

This bit is to be set to '1' according to HDLC/LAPD.

**4.4.16 RSTA - Receive Status Register**

**RSTA** read Address: 28<sub>H</sub>

Value after reset: 0F<sub>H</sub>

Register Description

7							0
VFR	RDO	CRC	RAB	SA1	SA0	C/R	TA

**VFR** Valid Frame

Determines whether a valid frame has been received.

A frame is invalid when there is not a multiple of 8 bits between flag and frame end (flag, abort).

0 = The frame is invalid

1 = The frame is valid

**RDO** Receive Data Overflow

0 = No receive data overflow

1 = At least one byte of the frame has been lost, because it could not be stored in RFIFO. As opposed the ISTAH.RFO a RDO indicates that the beginning of a frame has been received but not all bytes could be stored as the RFIFO was temporarily full.

**CRC** CRC Check

0 = The CRC is incorrect

1 = The CRC is correct

**RAB** Receive Message Aborted

0 = The receive message was not aborted

1 = The receive message was aborted by the remote station, i.e. a sequence of seven 1's was detected before a closing flag.

**SA1-0** SAPI Address Identification

**TA** TEI Address Identification

Register Description

These bits are only relevant in modes with address comparison.  
The result of the address comparison is given by SA1-0 and TA, as follows:

MDS2-0	SA1	SA0	TA	Address Match with	
				1 <sup>st</sup> Byte	2 <sup>nd</sup> Byte
<b>010</b> (Non-Auto/8 Mode)	x	x	0	TEI2	-
	x	x	1	TEI1	-
<b>011</b> (Non-Auto/16 Mode)	0	0	0	SAP2	TEIG
	0	0	1	SAP2	TEI2
	0	1	0	SAPG	TEIG
	0	1	1	SAPG	TEI1 or TEI2
	1	0	0	SAP1	TEIG
	1	0	1	SAP1	TEI1
<b>111</b> (Transparent Mode 1)	0	0	x	SAP2	-
	0	1	x	SAPG	-
	1	0	x	SAP1	-
<b>101</b> (Transparent Mode 2)	-	-	0	-	TEIG
	-	-	1	-	TEI1 or TEI2
	1	1	x	reserved	

Note: If SAP1 and SAP2 contain identical values, the combination SAP1,2-TEIG will only be indicated by SAP1,0 = '10' (i.e. the value '00' will not occur in this case).

**C/R** Command/Response

The C/R bit contains the C/R bit of the received frame (Bit1 in the SAPI address).

Note: The contents of RSTA corresponds to the last received HDLC frame; it is duplicated into RFIFO for every frame (last byte of frame).

**4.4.17 TMH -Test Mode Register HDLC**

**TMH** read/write Address: 29<sub>H</sub>

Value after reset: 00<sub>H</sub>

7							0
r(0)	r(0)	r(0)	r(0)	r(0)	r(0)	r(0)	TLP

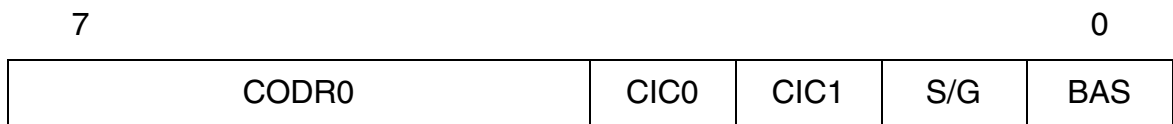
Register Description

**TLP** Test Loop  
 0 = inactive  
 1 = The TX path of the HDLC controller is internally connected to its RX path. Data coming from the IOM-2 will not be forwarded to the HDLC controller.  
 Setting of TLP is only valid if IOM-2 is active.

Note: The bits7-1 have to be set to “0”.

**4.4.18 CIR0 - Command/Indication Receive 0**

**CIR0** read Address: 2E<sub>H</sub>  
 Value after reset: F3<sub>H</sub>



**CODR0** C/I0 Code Receive  
 Value of the received Command/Indication code. A C/I-code is loaded in CODR0 only after being the same in two consecutive IOM-frames and the previous code has been read from CIR0.

**CIC0** C/I0 Code Change  
 0 = No change in the received Command/Indication code has been recognized  
 1 = A change in the received Command/Indication code has been recognized. This bit is set only when a new code is detected in two consecutive IOM-frames. It is reset by a read of CIR0.

**CIC1** C/I1 Code Change  
 0 = No change in the received Command/Indication code has been recognized  
 1 = A change in the received Command/Indication code in IOM-channel 1 has been recognized. This bit is set when a new code is detected in one IOM-frame. It is reset by a read of CIR0.

Register Description

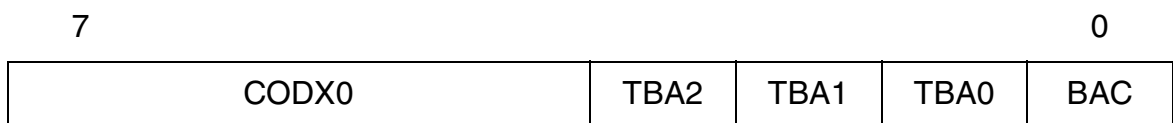
**S/G** Stop/Go Bit Monitoring  
 Indicates the availability of the upstream D-channel;  
 0 = Go  
 1 = Stop

**BAS** Bus Access Status  
 Indicates the state of the TIC-bus:  
 0 = the T-SMINT<sup>®</sup>IX itself occupies the D- and C/I-channel  
 1 = another device occupies the D- and C/I-channel

Note: The CODR0 bits are updated every time a new C/I-code is detected in two consecutive IOM-frames. If several consecutive valid new codes are detected and CIR0 is not read, only the first and the last C/I code are made available in CIR0 at the first and second read of that register.

**4.4.19 CIX0 - Command/Indication Transmit 0**

**CIX0** write Address: 2E<sub>H</sub>  
 Value after reset: FE<sub>H</sub>



**CODX0** C/I0-Code Transmit  
 Code to be transmitted in the C/I-channel 0. The code is only transmitted if the TIC bus is occupied, otherwise “1s” are transmitted.

**TBA2-0** TIC Bus Address  
 Defines the individual address for the T-SMINT<sup>®</sup>IX on the IOM bus. This address is used to access the C/I- and D-channel on the IOM interface.  
 Note: If only one device is liable to transmit in the C/I- and D-channels of the IOM it should always be given the address value ‘7’.

**BAC** Bus Access Control  
 Only valid if the TIC-bus feature is enabled (MODE:DIM2-0).

Register Description

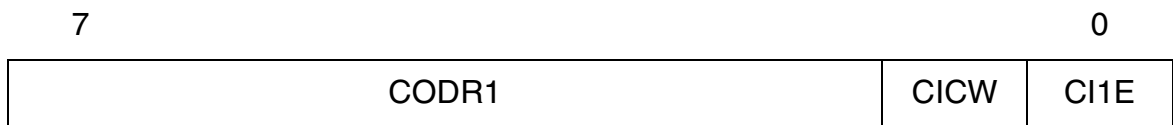
- 0 = inactive
- 1 = The T-SMINT<sup>®</sup>IX will try to access the TIC-bus to occupy the C/I-channel even if no D-channel frame has to be transmitted. It should be reset when the access has been completed to grant a similar access to other devices transmitting in that IOM-channel.

Note: Access is always granted by default to the T-SMINT<sup>®</sup>IX with TIC-Bus Address (TBA2-0, CIX0 register) '7', which has the lowest priority in a bus configuration.

**4.4.20 CIR1 - Command/Indication Receive 1**

**CIR1** read Address: 2F<sub>H</sub>

Value after reset: FE<sub>H</sub>



**CODR1** C/I1-Code Receive

**CICW** C/I-Channel Width  
Contains the read back value from CIX1 register (see below)

- 0 = 4 bit C/I1 channel width
- 1 = 6 bit C/I1 channel width

**CI1E** C/I1-channel Interrupt Enable  
Contains the read back value from CIX1 register (see below)

- 0 = Interrupt generation ISTA.CIC of CIR0.CIC1 is masked
- 1 = Interrupt generation ISTA.CIC of CIR0.CIC1 is enabled

**4.4.21 CIX1 - Command/Indication Transmit 1**

**CIX1** write Address: 2F<sub>H</sub>

Value after reset: FE<sub>H</sub>





**Register Description**

1 = All S-transceiver functions are disabled and powered down (analog and digital parts).

**BUS** Point-to-Point / Bus Selection

0 = Adaptive Timing (Point-to-Point, extended passive bus).

1 = Fixed Timing (Short passive bus), directly derived from transmit clock.

**EN\_ICV** Enable Far End Code Violation

0 = normal operation.

1 = ICV enabled. The receipt of at least one illegal code violation within one multi-frame according to ANSI T1.605 is indicated by the C/I indication '1011' (CVR) in two consecutive IOM frames.

**L1SW** Enable Layer 1 State Machine in Software

0 = Layer 1 state machine of the T-SMINT<sup>®</sup>IX is used.

1 = Layer 1 state machine is disabled. The functionality must be realized in software.

The commands are written to register S\_CMD and the status read in the S\_STA.

**EXLP** External Loop

In case the analog loopback is activated with C/I = ARL or with the LP\_A bit in the S\_CMD register the loop is a

0 = internal loop next to the line pins

1 = external loop which has to be closed between SR1/SR2 and SX1/SX2

Note: For the external loop the transmitter must be enabled (S\_CONF2:DIS\_TX = 0).

**4.5.2 S\_CONF2 - S-Transmitter Configuration Register 2**

**S\_CONF2** read/write Address: 32<sub>H</sub>

Value after reset: 80<sub>H</sub>

Register Description

7							0
DIS_TX	0	0	0	0	0	0	0

**DIS\_TX** Disable Line Driver  
 0 = Transmitter is enabled  
 1 = Transmitter is disabled

**4.5.3 S\_STA - S-Transceiver Status Register**

**S\_STA** read Address: 33<sub>H</sub>  
 Value after reset: 00<sub>H</sub>

7							0
RINF	0	ICV	0	FSYN	0	LD	

Important: This register is used only if the Layer 1 state machine of the device is disabled (S\_CONF0:L1SW = 1) and implemented in software! With the layer 1 state machine enabled, the signals from this register are automatically evaluated.

**RINF** Receiver INFO  
 00 = Received INFO 0 (no signal)  
 01 = Received any signal except INFO 0 or INFO 3  
 10 = reserved  
 11 = Received INFO 3

**ICV** Illegal Code Violation  
 0 = No illegal code violation is detected.  
 1 = Illegal code violation (ANSI T1.605) in data stream is detected.

**FSYN** Frame Synchronization State  
 0 = The S/T receiver is not synchronized.  
 1 = The S/T receiver has synchronized to the framing bit F.

Register Description

- LD** Level Detection
- 0 = No receive signal has been detected on the line.
  - 1 = Any receive signal has been detected on the line.

**4.5.4 S\_CMD - S-Transceiver Command Register**

**S\_CMD** read/write Address: 34<sub>H</sub>  
 Value after reset: 08<sub>H</sub>

7						0
XINF	DPRIO	1	PD	LP_A	0	

Important: This register - except bit DPRIO - is writable only if the Layer 1 state machine of the device is disabled (S\_CONF0.L1SW = 1) and implemented in software! With the device layer 1 state machine enabled, the signals from this register are automatically generated. DPRIO can also be written in intelligent NT mode.

- XINF** Transmit INFO
- 000 = Transmit INFO 0
  - 001 = reserved
  - 010 = Transmit INFO 2
  - 011 = Transmit INFO 4
  - 100 = Send continuous pulses at 192 kbit/s alternating or 96 kHz rectangular, respectively (TM2)
  - 101 = Send single pulses at 4 kbit/s with alternating polarity corresponding to 2 kHz fundamental mode (TM1)
  - 11x = reserved

- DPRIO** D-Channel Priority
- 0 = Priority class 1 for D channel access on IOM
  - 1 = Priority class 2 for D channel access on IOM

- PD** Power Down
- 0 = The transceiver is set to operational mode

Register Description

1 = The transceiver is set to power down mode

**LP\_A** Loop Analog

The setting of this bit corresponds to the C/I command ARL.

0 = Analog loop is open

1 = Analog loop is closed internally or externally according to the EXLP bit in the S\_CONF0 register

**4.5.5 SQRR - S/Q-Channel Receive Register**

**SQRR** read Address: 35<sub>H</sub>

Value after reset: 00<sub>H</sub>

7							0
MSYN	MFEN	0	0	SQR1	SQR2	SQR3	SQR4

**MSYN** Multi-frame Synchronization State

0 = The S/T receiver has not synchronized to the received F<sub>A</sub> and M bits

1 = The S/T receiver has synchronized to the received F<sub>A</sub> and M bits

**MFEN** Multiframe Enable

Read-back of the MFEN bit of the SQXR register

0 = S/T multiframe is disabled

1 = S/T multiframe is enabled

**SQR1-4** Received S/Q Bits

Received Q bits in frames 1, 6, 11 and 16

**4.5.6 SQXR- S/Q-Channel Transmit Register**

**SQXR** write Address: 35<sub>H</sub>

Value after reset: 00<sub>H</sub>



Register Description

**RIC** Receiver INFO Change  
 0 = inactive  
 1 = RIC is activated if one of the S\_STA bits RINF or ICV has changed.

**SQC** S/Q-Channel Change  
 0 = inactive  
 1 = A change in the received 4-bit Q-channel has been detected. The new code can be read from the SQRx bits of registers SQRR within the next multiframe<sup>1)</sup>. This bit is reset by a read access to the SQRR register.

**SQW** S/Q-Channel Writable  
 0 = inactive  
 1 = The S channel data for the next multiframe is writable. The register for the S bits to be transmitted has to be written within the next multiframe. This bit is reset by writing register SQXR. This timing signal is indicated with the start of every multiframe. Data which is written right after SQW-indication will be transmitted with the start of the following multiframe. Data which is written before SQW-indication is transmitted in the multiframe which is indicated by SQW.  
 SQW and SQC could be generated at the same time.

<sup>1)</sup> Register SQRR stays valid as long as no code change has been received.

**4.5.8 MASKS - Mask S-Transceiver Interrupt**

**MASKS** read/write Address: 39<sub>H</sub>

Value after reset: FF<sub>H</sub>

7							0
1	1	1	1	LD	RIC	SQC	SQW

**Bit 3..0** Mask bits

Register Description

- 0 = The transceiver interrupts LD, RIC, SQC and SQW are enabled
- 1 = The transceiver interrupts LD, RIC, SQC and SQW are masked

**4.5.9 S\_MODE - S-Transceiver Mode**

**S\_MODE** read/write Address: 3A<sub>H</sub>  
 Value after reset: 02<sub>H</sub>

	7						0
	0	0	0	0	DCH_INH	MODE	

**DCH\_INH** D-Channel Inhibit

- 0 = inactive
- 1 = The S-transceiver blocks the access to the D-channel on S by inverting the E-bits.

**MODE** Mode Selection

- 000 = reserved
- 001 = reserved
- 010 = NT (without D-channel handler)
- 011 = LT-S (without D-channel handler)
- 110 Intelligent NT mode (with NT state machine and with D-channel handler)
- 111 Intelligent NT mode (with LT-S state machine and with D-channel handler)
- 100 reserved
- 101 reserved



## 4.6 Interrupt and General Configuration Registers

### 4.6.1 ISTA - Interrupt Status Register

**ISTA** read Address: 3C<sub>H</sub>

Value after reset: 00<sub>H</sub>

7							0
U	ST	CIC	TIN	WOV	S	MOS	HDLC

**U** U-Transceiver Interrupt

0 = inactive

1 = An interrupt was generated by the U-transceiver. Read the ISTAU register.

**ST** Synchronous Transfer

0 = inactive

1 = This interrupt enables the microcontroller to lock on to the IOM<sup>®</sup>-2 timing, for synchronous transfers.

**CIC** C/I Channel Change

0 = inactive

1 = A change in C/I0 channel or C/I1 channel has been recognized. The actual value can be read from CIR0 or CIR1.

**TIN** Timer Interrupt

0 = inactive

1 = The internal timer and repeat counter has expired (see TIMR register).

**WOV** Watchdog Timer Overflow

0 = inactive

**Register Description**

1 = Signals the expiration of the watchdog timer, which means that the microcontroller has failed to set the watchdog timer control bits WTC1 and WTC2 (MODE1 register) in the correct manner. A reset out pulse on pin  $\overline{RSTO}$  has been generated by the T-SMINT<sup>®</sup>IX.

**S** S-Transceiver Interrupt

0 = inactive

1 = An interrupt was generated by the S-transceiver. Read the ISTAS register.

**MOS** MONITOR Status

0 = inactive

1 = A change in the MONITOR Status Register (MOSR) has occurred.

**HDLC** HDLC Interrupt

0 = inactive

1 = An interrupt originated in the HDLC interrupt sources has been recognized.

Note: A read of the ISTA register clears only the TIN and WOV interrupts. The other interrupts are cleared by reading the corresponding status register.

**4.6.2 MASK - Mask Register**

**MASK** write Address: 3C<sub>H</sub>

Value after reset: FF<sub>H</sub>

7							0
U	ST	CIC	TIN	WOV	S	MOS	HDLC

**Bit 7..0** Mask bits

0 = Interrupt is not masked

1 = Interrupt is masked

**Register Description**

Each interrupt source in the ISTA register can be selectively masked by setting the corresponding bit in MASK to '1'. Masked interrupt status bits are not indicated when ISTA is read. Instead, they remain internally stored and pending, until the mask bit is reset to '0'.

Note: In the event of a C/I channel change, CIC is set in ISTA even if the corresponding mask bit in MASK is active, but no interrupt is generated.

**4.6.3 MODE1 - Mode1 Register**

**MODE1** read/write Address: 3D<sub>H</sub>

Value after reset: 04<sub>H</sub>

7							0
MCLK	CDS	WTC1	WTC2	CFS	RSS2	RSS1	

**MCLK** Master Clock Frequency

The Master Clock Frequency bits control the microcontroller clock output depending on MODE1.CDS = '0' or '1' (Table [Table 2.1.3](#)).

	MODE1.CDS = '0'	MODE1.CDS = '1'
00 =	3.84 MHz	7.68 MHz
01 =	0.96 MHz	1.92 MHz
10 =	7.68 MHz	15.36 MHz
11 =	disabled	disabled

**CDS** Clock Divider Selection

- 0 = The 15.36 MHz oscillator clock divided by two is input to the MCLK prescaler
- 1 = The 15.36 MHz oscillator clock is input to the MCLK prescaler.

**WTC1, 2** Watchdog Timer Control 1, 2

After the watchdog timer mode has been selected (RSS = '11') the watchdog timer is started. During every time period of 128 ms the microcontroller has to program the WTC1 and WTC2 bit in the following sequence ([Chapter 2.2](#)):

- 10 first step

Register Description

01 second step

to reset and restart the watchdog timer.

If not, the timer expires and a WOV-interrupt (ISTA Register) together with a reset out pulse on pin  $\overline{RSTO}$  is generated.

The watchdog timer runs only when the internal IOM<sup>®</sup>-2 clocks are active, i.e. the watchdog timer is dead when bit CFS = 1 and the U and S-transceivers are in state power down.

**CFS** Configuration Select

0 = The IOM<sup>®</sup>-2 interface clock and frame signals are always active, “Deactivated State” of the U-transceiver and the S-transceiver included.

1 = The IOM<sup>®</sup>-2 interface clocks and frame signals are inactive in the “Deactivated State” of the U-transceiver and the S-transceiver.

**RSS2, RSS1** Reset Source Selection 2,1

The T-SMINT<sup>®</sup>IX reset sources can be selected according to the table below.

	C/I Code Change	Watchdog Timer	POR/UVD and $\overline{RST}$
00 =	--	--	x
01 =		$\overline{RSTO}$ disabled (high impedance)	
10 =	x	--	x
11 =	--	x	x

**4.6.4 MODE2 - Mode2 Register**

**MODE2** read/write Address: 3E<sub>H</sub>

Value after reset: 00<sub>H</sub>

7							0
LED2	LED1	LEDC	0	0	0	AMOD	PPSDX

**LED2,1 LED Control on pin  $\overline{ACT}$**

00 = High

Register Description

- 01 = flashing at 2 Hz (1 : 1)\*
- 10 = flashing at 1 Hz (3 : 1)\*
- 11 = Low

**LEDC** LED Control Enable

- 0 = LED is controlled by the state machines as defined in [Table 3](#).
- 1 = LED is controlled via bits LED2,1.

**AMOD** Address Mode

Selects between direct and indirect register access of the parallel microcontroller interface.

- 0 = Indirect address mode is selected. The address line A0 is used to select between address (A0 = '0') and data (A0 = '1') register
- 1 = Direct address mode is selected. The address is applied to the address bus (A0-A6)

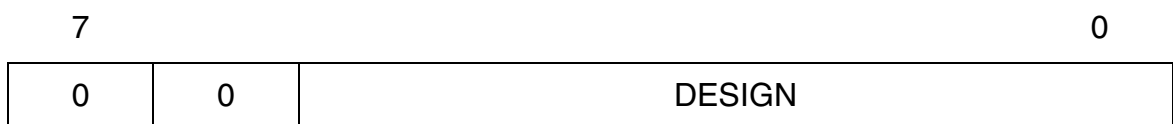
**PPSDX** Push/Pull Output for SDX

- 0 = The SDX pin has open drain characteristic
- 1 = The SDX pin has push/pull characteristic

**4.6.5 ID - Identification Register**

**ID** read Address: 3F<sub>H</sub>

Value after reset: 20<sub>H</sub>



**DESIGN** Design Number

The design number (DESIGN) allows to identify different hardware designs<sup>1)</sup> of the T-SMINT<sup>®</sup>IX by software.

100000: Version 1.1

Register Description

1) Distinction of different firmware versions is also possible by reading register (7D)<sub>H</sub> in the address space of the U-transceiver (see [Chapter 4.9.8](#)).

### 4.6.6 SRES - Software Reset Register

**SRES** write Address: 3F<sub>H</sub>  
 Value after reset: 00<sub>H</sub>

7							0
0	0	RES_ CI/TIC	0	RES_ HDLC	0	RES_S	RES_U

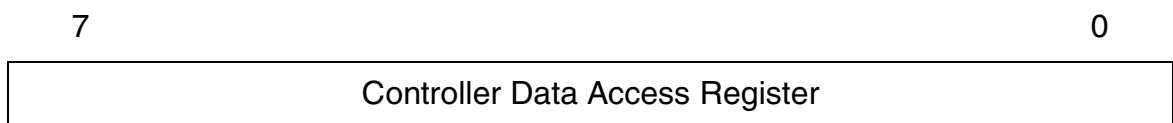
**RES\_xx** Reset\_xx  
 0 = Deactivates the reset of the functional block xx  
 1 = Activates the reset of the functional block xx.  
 The reset state is activated as long as the bit is set to ‘1’

## 4.7 Detailed IOM<sup>®</sup>-2 Handler Registers

### 4.7.1 CDAXy - Controller Data Access Register xy

These registers are used for microcontroller access to the IOM<sup>®</sup>-2 timeslots as well as for timeslot manipulations. (e.g. loops, shifts, ... see also [“Controller Data Access \(CDA\)” on Page 30](#)).

**CDAXy** read/write Address: 40-43<sub>H</sub>



Data register CDAXy which can be accessed by the controller.

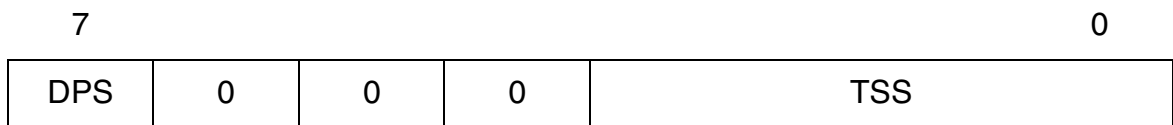
Register	Value after Reset	Register Address
CDA10	FF <sub>H</sub>	40 <sub>H</sub>
CDA11	FF <sub>H</sub>	41 <sub>H</sub>

Register Description

CDA20	FF <sub>H</sub>	42 <sub>H</sub>
CDA21	FF <sub>H</sub>	43 <sub>H</sub>

**4.7.2 XXX\_TSDPxy - Time Slot and Data Port Selection for CHxy**

**XXX\_TSDPxy** read/write Address: 44-4D<sub>H</sub>



Register	Value after Reset	Register Address
CDA_TSDP10	00 <sub>H</sub> (= output on B1-DD)	44 <sub>H</sub>
CDA_TSDP11	01 <sub>H</sub> (= output on B2-DD)	45 <sub>H</sub>
CDA_TSDP20	80 <sub>H</sub> (= output on B1-DU)	46 <sub>H</sub>
CDA_TSDP21	81 <sub>H</sub> (= output on B2-DU)	47 <sub>H</sub>
	reserved	48-4B <sub>H</sub>
S_TSDP_B1	84 <sub>H</sub> (= output on TS4-DU)	4C <sub>H</sub>
S_TSDP_B2	85 <sub>H</sub> (= output on TS5-DU)	4D <sub>H</sub>

This register determines the time slots and the data ports on the IOM<sup>®</sup>-2 Interface for the data channels xy of the functional units XXX (Controller Data Access (CDA) and S-transceiver (S)).

Note: The U-transceiver is always in IOM-2 channel 0.

**DPS** Data Port Selection

- 0 = The data channel xy of the functional unit XXX is output on DD.  
The data channel xy of the functional unit XXX is input from DU.
- 1 = The data channel xy of the functional unit XXX is output on DU.  
The data channel xy of the functional unit XXX is input from DD.

Note: For the CDA (controller data access) data the input is determined by the CDAX\_CR.SWAP bit. If SWAP = '0' the input for the CDAXy data is vice versa to the output setting for CDAXy. If the SWAP = '1' the input from CDAX0 is vice versa to the output setting of CDAX1 and the input from CDAX1 is vice versa to the output setting of CDAX0.

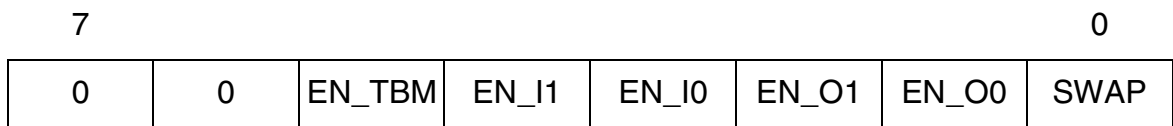
Register Description

**TSS** Timeslot Selection

Selects one of the 12 timeslots from 0...11 on the IOM<sup>®</sup>-2 interface for the data channels.

**4.7.3 CDAX\_CR - Control Register Controller Data Access CH1x**

**CDAX\_CR** read/write Address: 4E-4F<sub>H</sub>



Register	Value after Reset	Register Address
CDA1_CR	00 <sub>H</sub>	4E <sub>H</sub>
CDA2_CR	00 <sub>H</sub>	4F <sub>H</sub>

**EN\_TBM** Enable TIC Bus Monitoring

0 = The TIC bus monitoring is disabled

1 = The TIC bus monitoring with the CDAX0 register is enabled. The TSDPx0 register must be set to 08<sub>H</sub> for monitoring from DU, or 88<sub>H</sub> for monitoring from DD.

**EN\_I1, EN\_I0** Enable Input CDAX1, CDAX0

0 = The input of the CDAX1, CDAX0 register is disabled

1 = The input of the CDAX1, CDAX0 register is enabled

**EN\_O1, EN\_O0** Enable Output CDAX1, CDAX0

0 = The output of the CDAX1, CDAX0 register is disabled

1 = The output of the CDAX1, CDAX0 register is enabled



**SWAP Swap Inputs**

- 0 = The time slot and data port for the input of the CDAXy register is defined by its own TSDPxy register. The data port for the CDAXy input is vice versa to the output setting for CDAXy.
- 1 = The input (time slot and data port) of the CDAX0 is defined by the TSDP register of CDAX1 and the input of CDAX1 is defined by the TSDP register of CDAX0. The data port for the CDAX0 input is vice versa to the output setting for CDAX1. The data port for the CDAX1 input is vice versa to the output setting for CDAX0. The input definition for time slot and data port CDAX0 are thus swapped to CDAX1 and for CDAX1 to CDAX0. The outputs are not affected by the SWAP bit.

**4.7.4 S\_CR - Control Register S-Transceiver Data**

**S\_CR** read/write Address: 51<sub>H</sub>

Value after reset: FF<sub>H</sub>

7								0
1	CI_CS	EN_D	EN_B2R	EN_B1R	EN_B2X	EN_B1X	D_CS	

**CI\_CS C/I Channel Selection**

This bit is used to select the IOM channel to which the S-transceiver C/I-channel is related to.

- 0 = C/I-channel in IOM-channel 0
- 1 = C/I-channel in IOM-channel 1

**EN\_D Enable Transceiver D-Channel Data**

- 0 = The corresponding data path to the transceiver is disabled
- 1 = The corresponding data path to the transceiver is enabled.

**EN\_B2R Enable Transceiver B2 Receive Data (transmitter receives from IOM)**

- 0 = The corresponding data path to the transceiver is disabled

**Register Description**

1 = The corresponding data path to the transceiver is enabled.

**EN\_B1R** Enable Transceiver B1 Receive Data (transmitter receives from IOM)

0 = The corresponding data path to the transceiver is disabled

1 = The corresponding data path to the transceiver is enabled.

**EN\_B2X** Enable Transceiver B2 Transmit Data (transmitter transmits to IOM)

0 = The corresponding data path to the transceiver is disabled

1 = The corresponding data path to the transceiver is enabled.

**EN\_B1X** Enable Transceiver B1 Transmit Data (transmitter transmits to IOM)

0 = The corresponding data path to the transceiver is disabled

1 = The corresponding data path to the transceiver is enabled.

These bits are used to individually enable/disable the D-channel and the receive/transmit paths for the B-channels for the S-transceiver.

**D\_CS** D Channel Selection

This bit is used to select the IOM channel to which the S-transceiver D-channel is related to.

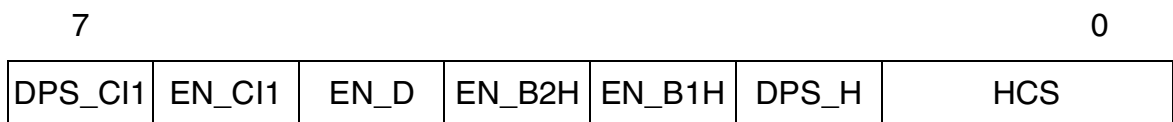
0 = D-channel in IOM-channel 0

1 = D-channel in IOM-channel 1

**4.7.5 HCI\_CR - Control Register for HDLC and CI1 Data**

**HCI\_CR** read/write Address: 52<sub>H</sub>

Value after reset: 04<sub>H</sub>



**DPS\_CI1** Data Port Selection CI1 Handler

0 = The CI1 data is output on DD and input from DU

1 = The CI1 data is output on DU and input from DD

---

**Register Description****EN\_CI1** Enable CI1 Handler

0 = CI1 data access is disabled

1 = CI1 data access is enabled

Note: The timeslot for the C/I1 handler cannot be programmed but is fixed to IOM channel 1.

**EN\_D** Enable D-timeslot for HDLC controller

0 = The HDLC controller does not access timeslot data D

1 = The HDLC controller does access timeslot data D

**EN\_B2H** Enable B2-timeslot for HDLC controller

0 = The HDLC controller does not access timeslot data B2

1 = The HDLC controller does access timeslot data B2

**EN\_B1H** Enable B1-timeslot for HDLC controller

0 = The HDLC controller does not access timeslot data B1 respectively

1 = The HDLC controller does access timeslot data B1

The bits EN\_D, EN\_B2H and EN\_B1H are used to select the timeslot length for the D-channel HDLC controller access as it is capable to access not only the D-channel timeslot. The host can individually enable two 8-bit timeslots B1- and B2-channel, i.e. the first and second octett, (EN\_B1H, EN\_B2H) and one 2-bit timeslot D-channel (EN\_D) on IOM-2. The position is selected via HCS.

**DPS\_H** Data Port Selection HDLC

0 = Transmit on DD, receive on DU

1 = Transmit on DU, receive on DD

**HCS** HDLC Channel Selection

These two bits determine the IOM<sup>®</sup>-2 channel of the HDLC controller. The HDLC controller will read and write HDLC data into the selected B1, B2 and D channel timeslots of the selected IOM<sup>®</sup>-2 channel.

00 = The HDLC data is read and output on IOM-channel 0

01 = The HDLC data is read and output on IOM-channel 1

Register Description

- 10 = The HDLC data is read and output on IOM-channel 2<sup>1)</sup>
- 11 = Not defined

<sup>1)</sup> If the TIC-bus is enabled, then an HDLC access in IOM-channel 2 is possible only to the B channels.

**4.7.6 MON\_CR - Control Register Monitor Data**

**MON\_CR** read/write Address: 53<sub>H</sub>  
 Value after reset: 40<sub>H</sub>

7							0
DPS	EN_MON	0	0	0	0	MCS	

**DPS** Data Port Selection  
 0 = The Monitor data is output on DD and input from DU  
 1 = The Monitor data is output on DU and input from DD

**EN\_MON** Enable Output  
 0 = The Monitor data input and output is disabled  
 1 = The Monitor data input and output is enabled

**MCS** MONITOR Channel Selection  
 00 = The MONITOR data is output on MON0  
 01 = The MONITOR data is output on MON1  
 10 = The MONITOR data is output on MON2  
 11 = Not defined

**4.7.7 SDS1\_CR - Control Register Serial Data Strobe 1**

**SDS1\_CR** read/write Address: 54<sub>H</sub>  
 Value after reset: 00<sub>H</sub>





Register Description

7							0
SPU	0	0	TIC_DIS	EN_BCL	0	DIS_OD	DIS_IOM

- SPU** Software Power UP
- 0 = The DU line is normally used for transmitting data.
  - 1 = Setting this bit to ‘1’ will pull the DU line to low. This will enforce the T-SMINT<sup>®</sup>I and other connected layer 1 devices to deliver IOM-clocking.
- TIC\_DIS** TIC Bus Disable
- 0 = The last octet of the last IOM time slot (TS 11) is used as TIC bus.
  - 1 = The TIC bus is disabled. The last octet of the last IOM time slot (TS 11) can be used like any other time slot. This means that the timeslots TIC, A/B, S/G and BAC are not available any more.
- EN\_BCL** Enable Bit Clock BCL
- 0 = The BCL clock is disabled (output is high impedant)
  - 1 = The BCL clock is enabled
- DIS\_OD** Disable Open Drain
- 0 = IOM outputs are open drain driver
  - 1 = IOM outputs are push pull driver
- DIS\_IOM** Disable IOM
- DIS\_IOM should be set to ‘1’ if external devices connected to the IOM interface should be “disconnected” e.g. for power saving purposes. However, the T-SMINT<sup>®</sup>IX internal operation is independent of the DIS\_IOM bit.
- 0 = The IOM interface is enabled
  - 1 = The IOM interface is disabled (FSC, DCL, clock outputs have high impedance; DU, DD data line inputs are switched off and outputs are high impedant)

#### 4.7.10 MCDA - Monitoring CDA Bits

**MCDA** read Address: 57<sub>H</sub>

Value after reset: FF<sub>H</sub>

7									0
MCDA21		MCDA20		MCDA11		MCDA10			
Bit7	Bit6	Bit7	Bit6	Bit7	Bit6	Bit7	Bit6	Bit7	Bit6

#### MCDA<sub>xy</sub> Monitoring CDA<sub>xy</sub> Bits

Bit 7 and Bit 6 of the CDA<sub>xy</sub> registers are mapped into the MCDA register. This can be used for monitoring the D-channel bits on DU and DD and the “Echo bits” on the TIC bus with the same register.

#### 4.7.11 STI - Synchronous Transfer Interrupt

**STI** read Address: 58<sub>H</sub>

Value after reset: 00<sub>H</sub>

7							0
STOV21	STOV20	STOV11	STOV10	STI21	STI20	STI11	STI10

For all interrupts in the STI register the following logical states are applied

- 0 = Interrupt has not occurred
- 1 = Interrupt has occurred

#### STOV<sub>xy</sub> Synchronous Transfer Overflow Interrupt

Enabled STOV interrupts for a certain STI<sub>xy</sub> interrupt are generated when the STI<sub>xy</sub> has not been acknowledged in time via the ACK<sub>xy</sub> bit in the ASTI register. This must be one (for DPS = ‘0’) or zero (for DPS = ‘1’) BCL clock cycles before the time slot which is selected for the STOV.



**STlxy** Synchronous Transfer Interrupt

Depending on the DPS bit in the corresponding TSDPxy register the Synchronous Transfer Interrupt STlxy is generated two (for DPS = '0') or one (for DPS = '1') BCL clock cycles after the selected time slot (TSDPxy.TSS).

Note: ST0Vxy and ACKxy are useful for synchronizing microcontroller accesses and receive/transmit operations. One BCL clock is equivalent to two DCL clocks.

**4.7.12 ASTI - Acknowledge Synchronous Transfer Interrupt**

**ASTI** write Address: 58<sub>H</sub>

Value after reset: 00<sub>H</sub>

7							0
0	0	0	0	ACK21	ACK20	ACK11	ACK10

**ACKxy** Acknowledge Synchronous Transfer Interrupt

After a STlxy interrupt the microcontroller has to acknowledge the interrupt by setting the corresponding ACKxy bit.

0 = No activity is initiated

1 = Sets the acknowledge bit ACKxy for a STlxy interrupt

**4.7.13 MSTI - Mask Synchronous Transfer Interrupt**

**MSTI** read/write Address: 59<sub>H</sub>

Value after reset: FF<sub>H</sub>

7							0
STOV21	STOV20	STOV11	STOV10	STI21	STI20	STI11	STI10

For the MSTI register the following logical states are applied:

0 = Interrupt is not masked

Register Description

1 = Interrupt is masked

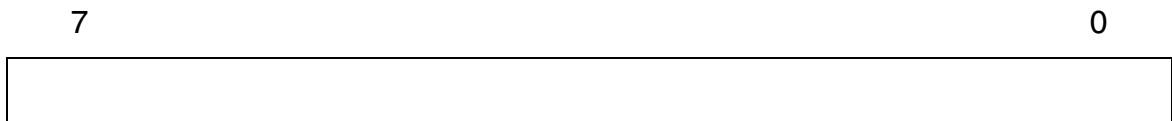
**STOVxy** Mask Synchronous Transfer Overflow xy  
Mask bits for the corresponding STOVxy interrupt bits.

**STIxy** Synchronous Transfer Interrupt xy  
Mask bits for the corresponding STIxy interrupt bits.

### 4.8 Detailed MONITOR Handler Registers

#### 4.8.1 MOR - MONITOR Receive Channel

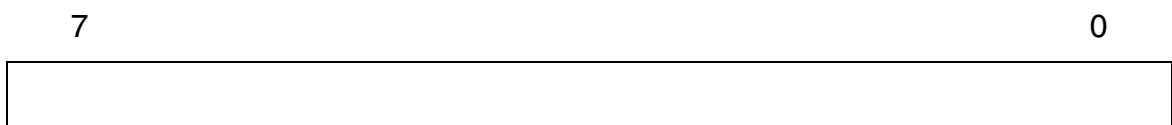
**MOR** read Address: 5C<sub>H</sub>  
Value after reset: FF<sub>H</sub>



Contains the MONITOR data received in the IOM<sup>®</sup>-2 MONITOR channel according to the MONITOR channel protocol. The MONITOR channel (0,1,2) can be selected by setting the monitor channel select bit MON\_CR.MCS.

#### 4.8.2 MOX - MONITOR Transmit Channel

**MOX** write Address: 5C<sub>H</sub>  
Value after reset: FF<sub>H</sub>



Contains the MONITOR data to be transmitted in IOM<sup>®</sup>-2 MONITOR channel according to the MONITOR channel protocol. The MONITOR channel (0,1,2) can be selected by setting the monitor channel select bit MON\_CR.MCS

### 4.8.3 MOSR - MONITOR Interrupt Status Register

**MOSR** read Address: 5D<sub>H</sub>

Value after reset: 00<sub>H</sub>

7							0
MDR	MER	MDA	MAB	0	0	0	0

**MDR** MONITOR channel Data Received

0 = inactive

1 = MONITOR channel Data Received

**MER** MONITOR channel End of Reception

0 = inactive

1 = MONITOR channel End of Reception

**MDA** MONITOR channel Data Acknowledged

The remote end has acknowledged the MONITOR byte being transmitted.

0 = inactive

1 = MONITOR channel Data Acknowledged

**MAB** MONITOR channel Data Abort

0 = inactive

1 = MONITOR channel Data Abort

### 4.8.4 MOCR - MONITOR Control Register

**MOCR** read/write Address: 5E<sub>H</sub>

Value after reset: 00<sub>H</sub>

7							0
MRE	MRC	MIE	MXC	0	0	0	0

Register Description

- MRE** MONITOR Receive Interrupt Enable  
 0 = MONITOR interrupt status MDR generation is masked.  
 1 = MONITOR interrupt status MDR generation is enabled.
- MRC** MR Bit Control  
 Determines the value of the MR bit:  
 0 = MR is always '1'. In addition, the MDR interrupt is blocked, except for the first byte of a packet (if MRE = 1).  
 1 = MR is internally controlled by the T-SMINT<sup>®</sup>IX according to MONITOR channel protocol. In addition, the MDR interrupt is enabled for all received bytes according to the MONITOR channel protocol (if MRE = 1).
- MIE** MONITOR Interrupt Enable  
 0 = MONITOR interrupt status MER, MDA, MAB generation is masked  
 1 = MONITOR interrupt status MER, MDA, MAB generation is enabled
- MXC** MX Bit Control  
 Determines the value of the MX bit:  
 0 = The MX bit is always '1'.  
 1 = The MX bit is internally controlled by the T-SMINT<sup>®</sup>IX according to MONITOR channel protocol.

**4.8.5 MSTA - MONITOR Status Register**

**MSTA** read Address: 5F<sub>H</sub>  
 Value after reset: 00<sub>H</sub>

7							0
0	0	0	0	0	MAC	0	TOUT

- MAC** MONITOR Transmit Channel Active  
 0 = No data transmission in the MONITOR channel

Register Description

1 = The data transmission in the MONITOR channel is in progress.

**TOUT** Time-Out

Read-back value of the TOUT bit

0 = The monitor time-out function is disabled

1 = The monitor time-out function is enabled

**4.8.6 MCONF - MONITOR Configuration Register**

**MCONF** write Address: 5F<sub>H</sub>  
Value after reset: 00<sub>H</sub>

7							0
0	0	0	0	0	0	0	TOUT

**TOUT** Time-Out

0 = The monitor time-out function is disabled

1 = The monitor time-out function is enabled

**4.9 Detailed U-Transceiver Registers**

**4.9.1 OPMODE - Operation Mode Register**

The **Operation Mode** register determines the operating mode of the U-transceiver.

**OPMODE** read<sup>\*)</sup>/write Address: 60<sub>H</sub>  
Reset value: 00<sub>H</sub>

7	6	5	4	3	2	1	0
0	UCI	0	0	0	0	0	0

Register Description

- UCI** Enable/Disable  $\mu$ P-control of C/I codes
- 0 =  $\mu$ P control disabled - C/I codes are exchanged via IOM<sup>®</sup>-2  
Read access to register UCIR by the  $\mu$ P is still possible
  - 1 =  $\mu$ P control enabled - C/I codes are exchanged via UCIR and UCIW registers  
In this case, the according C/I-channel on IOM<sup>®</sup>-2 is idle '1111'

**4.9.2 UCIR - C/I Code Read Register**

Via the **U**-transceiver **C/I** code **Read** register a microcontroller can access the C/I code that is output from the state machine.

**UCIR** **read** Address: 6D<sub>H</sub>

Reset value: 00<sub>H</sub>

7	6	5	4	3	2	1	0
0	0	0	0	C/I code output			

**4.9.3 UCIW - C/I Code Write Register**

The **U**-transceiver **C/I** code **Write** register allows a microcontroller to control the state of the U-transceiver. To enable this function bit UCI in register OPMODE must be set to '1' before.

**UCIW** **write** Address: 6E<sub>H</sub>

Reset value: 01<sub>H</sub>

7	6	5	4	3	2	1	0
0	0	0	0	C/I code input			

**4.9.4 LOOP - Loopback Register**

The **Loop** register controls local digital loopbacks of the U-transceiver.

Register Description

**LOOP** read\*/write Address: 70<sub>H</sub>

Reset value: 08<sub>H</sub>

7	6	5	4	3	2	1	0
0	0	TRAN S	U/IOM	1	LBBD	LB2	LB1

**TRANS** Transparent/ Non-Transparent Loopback  
 In transparent mode data is both passed on and looped back, whereas in non-transparent mode data is not forwarded but substituted by 1s (idle code) and just looped back  
 0 = transparent mode  
 1 = non-transparent mode  
 '1's are sent on the IOM<sup>®</sup>-2 interface in the corresponding time-slot

**U/IOM<sup>®</sup>** Close LBBD, LB2, LB1 towards U or towards IOM<sup>®</sup>  
 Switch that selects whether loopback LB1, LB2 or LBBD is closed towards U or towards IOM<sup>®</sup>-2  
 the setting affects all test loops, LBBD, LB2 and LB1  
 an individual selection for LBBD, LB2, LB1 is not possible  
 0 = LB1, LB2, LBBD loops are closed towards IOM<sup>®</sup>  
 1 = LB1, LB2, LBBD loops are closed towards U

**LBBD** Close complete loop (B1, B2, D) near the system interface  
 – the direction towards which the loop is closed is determined by bit U/IOM<sup>®</sup>  
 – the state machine has to be in state 'Transparent' first (e.g. by C/I = DT) before data is output on the U-interface  
 0 = complete loopback open  
 1 = complete loopback closed

**LB2** Close loop B2 near the system interface  
 – the direction towards which the loop is closed is determined by bit U/IOM<sup>®</sup>  
 – the state machine has to be in state 'Transparent' first (e.g. by C/I = DT) before data is output on the U-interface

**Register Description**

- 0 = loopback B2 open
- 1 = loopback B2 closed

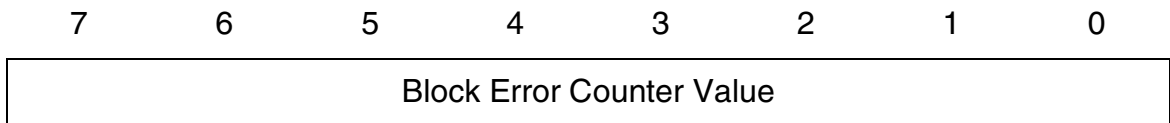
- LB1** Close loop B1 near the system interface
- the direction towards which the loop is closed is determined by bit U/IOM<sup>®</sup>
  - the state machine has to be in state 'Transparent' first (e.g. by C/I = DT) before data is output on the U-interface
- 0 = loopback B1 open
  - 1 = loopback B1 closed

**4.9.5 RDS - Block Error Counter Register**

see [Chapter 2.4.4.2](#).

**RDS** **read** Address: 72<sub>H</sub>

Reset value: 00<sub>H</sub>

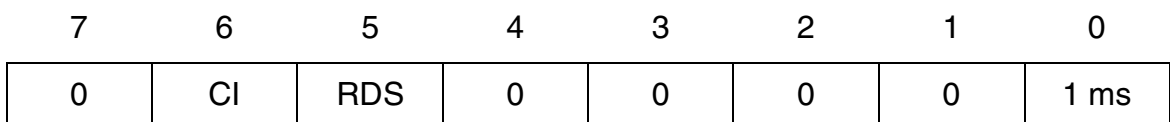


**4.9.6 ISTAU - Interrupt Status Register U-Interface**

The Interrupt **Status** register **U**-interface generates an interrupt for the unmasked interrupt flags. Refer to [Chapter 2.4.8](#) for details on masking and clearing of interrupt flags.

**ISTAU** **read** Address: 7A<sub>H</sub>

Reset value: 00<sub>H</sub>



- CI** C/I code indication  
the CI interrupt is generated independently on OPMODE.UCI



Register Description

- 0 = inactive
- 1 = CI code change has occurred

- RDS** Code violation occurred
- 0 = inactive
  - 1 = code violation has occurred

- 1 ms** Start of a new frame on the U-interface  
useful for synchronization of register accesses by an external  $\mu$ C
- 0 = inactive
  - 1 = signals the start of a new frame on the U-interface

**4.9.7 MASKU - Mask Register U-Interface**

The Interrupt **Mask** register **U-Interface** selectively masks each interrupt source in the ISTAU register by setting the corresponding bit to '1'.

**MASKU** read<sup>\*</sup>/write Address: 7B<sub>H</sub>

Reset Value: FF<sub>H</sub>

7	6	5	4	3	2	1	0
1	CI	RDS	1	1	1	1	1 ms

- Bit 0..7** Mask bits
- 0 = interrupt active
  - 1 = interrupt masked

**4.9.8 FW\_VERSION**

**FW\_VERSION** Register contains the Firmware Version number

---

**Register Description**

**FW\_VERSION**

**read**

Address: 7D<sub>H</sub>

Reset value: 3E<sub>H</sub>

7      6      5      4      3      2      1      0



## 5 Electrical Characteristics

### 5.1 Absolute Maximum Ratings

Parameter	Symbol	Limit Values	Unit
Ambient temperature under bias	$T_A$	-40 to 85	°C
Storage temperature	$T_{STG}$	- 65 to 150	°C
Maximum Voltage on $V_{DD}$	$V_{DD}$	4.2	V
Maximum Voltage on any pin with respect to ground	$V_S$	-0.3 to $V_{DD} + 3.3$ (max. < 5.5)	V

ESD integrity (according EIA/JESD22-A114B (HBM)): 2 kV

*Note: Stress above those listed here may cause permanent damage to the device. Exposure to absolute maximum ratings conditions for extended periods may affect device reliability.*

#### Line Overload Protection

The T-SMINT<sup>®</sup> IX is compliant to ESD tests according to ANSI / EOS / ESD-S 5.1-1993 (CDM), EIA/JESD22-A114B (HBM) and to Latch-up tests according to JEDEC EIA / JESD78. From these tests the following max. input currents are derived ([Table 37](#)):

**Table 37 Maximum Input Currents**

Test	Pulse Width	Current	Remarks
ESD	100 ns	1.3 A	3 repetitions
Latch-up	5 ms	+/-200 mA	2 repetitions, respectively
DC	--	10 mA	

**Electrical Characteristics**
**5.2 DC Characteristics**
 $V_{DD}/V_{DDA} = 3.3 \text{ V} \pm 5\% ; V_{SS}/V_{SSA} = 0 \text{ V}; T_A = -40 \text{ to } 85 \text{ }^\circ\text{C}$ 

Digital Pins	Parameter	Symbol	Limit Values		Unit	Test Condition
			min.	max.		
All	Input low voltage	$V_{IL}$	-0.3	0.8	V	
	Input high voltage	$V_{IH}$	2.0	5.25	V	
All except DD/DU ACT, MCLK	Output low voltage	$V_{OL1}$		0.45	V	$I_{OL1} = 3.0 \text{ mA}$
	Output high voltage	$V_{OH1}$	2.4		V	$I_{OH1} = 3.0 \text{ mA}$
DD/DU ACT, MCLK	Output low voltage	$V_{OL2}$		0.45	V	$I_{OL2} = 4.0 \text{ mA}$
	Output high voltage (DD/DU push-pull)	$V_{OH2}$	2.4		V	$I_{OH2} = 4.0 \text{ mA}$
All	Input leakage current	$I_{LI}$		10	$\mu\text{A}$	$0 \text{ V} \leq V_{IN} \leq V_{DD}$
	Output leakage current	$I_{LO}$		10	$\mu\text{A}$	$0 \text{ V} \leq V_{IN} \leq V_{DD}$
<b>Analog Pins</b>						
AIN, BIN	Input leakage current	$I_{LI}$		30	$\mu\text{A}$	$0 \text{ V} \leq V_{IN} \leq V_D$ D

**Table 38 S-Transceiver Characteristics**

Pin	Parameter	Symbol	Limit Values			Unit	Test Condition
			min.	typ.	max.		
SX1,2	Absolute value of output pulse amplitude ( $V_{SX2} - V_{SX1}$ )	$V_X$	2.03	2.2	2.31	V	$R_L = 50 \Omega$
SX1,2	S-Transmitter output impedance	$Z_X$	10	34		k $\Omega$	see <sup>1)</sup>
			0				see <sup>2)3)</sup>
SR1,2	S-Receiver input impedance	$Z_R$	10			k $\Omega$ $\Omega$	$V_{DD} = 3.3 \text{ V}$
			100				$V_{DD} = 0 \text{ V}$

<sup>1)</sup> Requirement ITU-T I.430, chapter 8.5.1.1a): 'At all times except when transmitting a binary zero, the output impedance, in the frequency range of 2kHz to 1 MHz, shall exceed the impedance indicated by the template in Figure 11. The requirement is applicable with an applied sinusoidal voltage of 100 mV (r.m.s value)'

**Electrical Characteristics**

- 2) Requirement ITU-T I.430, chapter 8.5.1.1b): 'When transmitting a binary zero, the output impedance shall be > 20 Ω.': Must be met by external circuitry.
- 3) Requirement ITU-T I.430, chapter 8.5.1.1b), Note: 'The output impedance limit shall apply for a nominal load impedance (resistive) of 50 Ω. The output impedance for each nominal load shall be defined by determining the peak pulse amplitude for loads equal to the nominal value +/- 10%. The peak amplitude shall be defined as the the amplitude at the midpoint of a pulse. The limitation applies for pulses of both polarities.'

**Table 39 U-Transceiver Characteristics**

	Limit Values			Unit
	min.	typ.	max.	
<b>Receive Path</b>				
Signal / (noise + total harmonic distortion) <sup>1)</sup>	65			dB
DC-level at AD-output	45	50	55	% <sup>2)</sup>
Threshold of level detect (measured between AIN and BIN with respect to zero signal)	10		23	mV peak
Input impedance AIN/BIN	80			kΩ

**Transmit Path**

Signal / (noise + total harmonic distortion) <sup>3)</sup>	70			dB
Common mode DC-level	1.61	1.65	1.69	V
Offset between AOUT and BOUT			35	mV
Absolute peak voltage for a single +3 or -3 pulse measured between AOUT and BOUT <sup>4)</sup>	2.42	2.5	2.58	V
Output impedance AOUT/BOUT:				
Power-up		0.8	1.5	Ω
Power-down		3	6	Ω

- 1) Test conditions: 1.4 Vpp differential sine wave as input on AIN/BIN with long range (low, critical range).
- 2) The percentage of the "1"-values in the PDM-signal.
- 3) Interpretation and test conditions: The sum of noise and total harmonic distortion, weighted with a low pass filter 0 to 80 kHz, is at least 70 dB below the signal for an evenly distributed but otherwise random sequence of +3, +1, -1, -3.
- 4) The signal amplitude measured over a period of 1 min. varies less than 1%.

**Electrical Characteristics**

**5.3 Capacitances**

$T_A = 25\text{ }^\circ\text{C}$ ,  $3.3\text{ V} \pm 5\%$   $V_{SSA} = 0\text{ V}$ ,  $V_{SSD} = 0\text{ V}$ ,  $f_c = 1\text{ MHz}$ , unmeasured pins grounded.

**Table 40 Pin Capacitances**

Parameter	Symbol	Limit Values		Unit	Remarks
		min.	max.		
Digital pads: Input Capacitance	$C_{IN}$		7	pF	
I/O Capacitance	$C_{I/O}$		7	pF	
Analog pads: Load Capacitance	$C_L$		3	pF	pin AIN, BIN

**5.4 Power Consumption**

**Power Consumption**

$V_{DD}=3.3\text{ V}$ ,  $V_{SS}=0\text{ V}$ , Inputs at  $V_{SS}/V_{DD}$ , no LED connected, 50% bin. zeros, no output loads except SX1,2 ( $50\text{ }\Omega^1$ )

Parameter	Limit Values			Unit	Test Condition
	min.	typ.	max.		
Operational U and S enabled, IOM <sup>®</sup> -2 off		185		mW	U: ETSI loop 1 (0 m)
		165		mW	U: ETSI Loop 2.(typical line)
Power Down		15		mW	

<sup>1)</sup>  $50\text{ }\Omega$  ( $2 \times TR$ ) on the S-bus.

**5.5 Supply Voltages**

$V_{DD_D} = + V_{dd} \pm 5\%$

$V_{DD_A} = + V_{dd} \pm 5\%$

The maximum sinusoidal ripple on VDD is specified in the following figure:

Electrical Characteristics

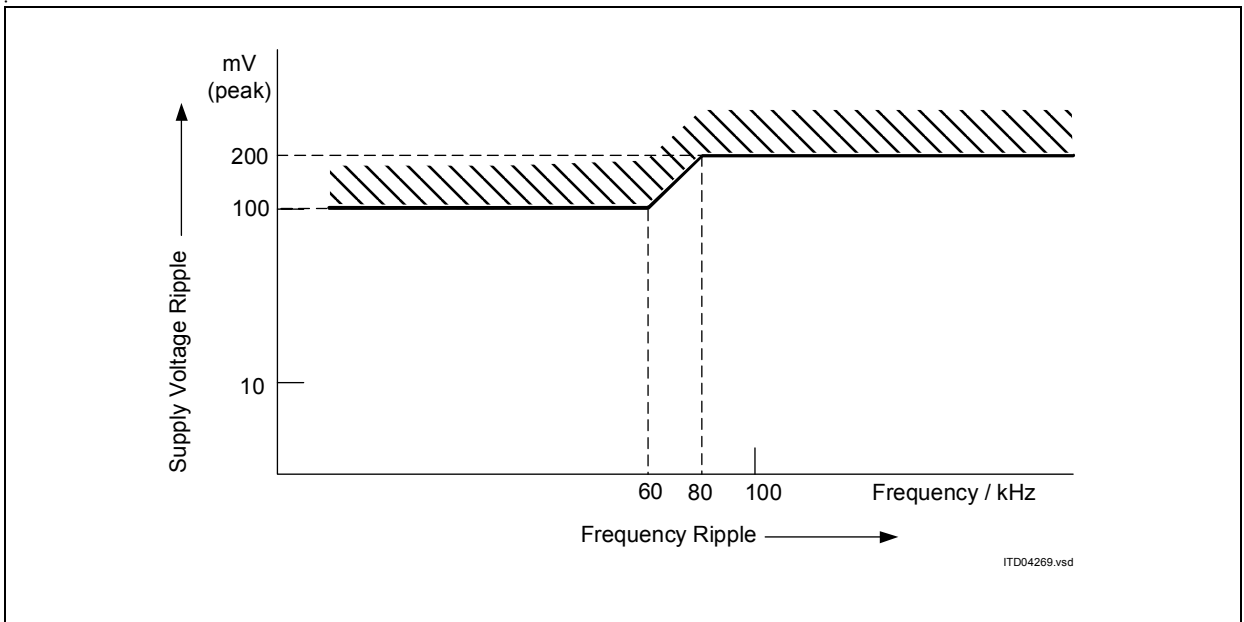
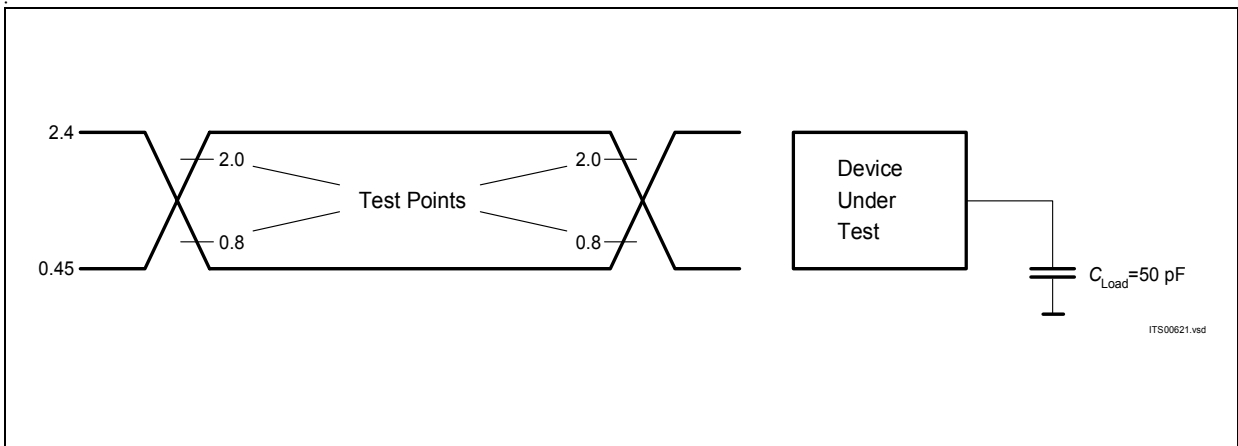


Figure 69 Maximum Sinusoidal Ripple on Supply Voltage

### 5.6 AC Characteristics

$T_A = -40$  to  $85$  °C,  $V_{DD} = 3.3$  V  $\pm$  5%

Inputs are driven to 2.4 V for a logical "1" and to 0.4 V for a logical "0". Timing measurements are made at 2.0 V for a logical "1" and 0.8 V for a logical "0". The AC testing input/output waveforms are shown in **Figure 70**.



**Figure 70** Input/Output Waveform for AC Tests

Parameter All Output Pins	Symbol	Limit values		Unit
		Min	Max	
Fall time			30	ns
Rise time			30	ns



### 5.6.1 IOM<sup>®</sup>-2 Interface

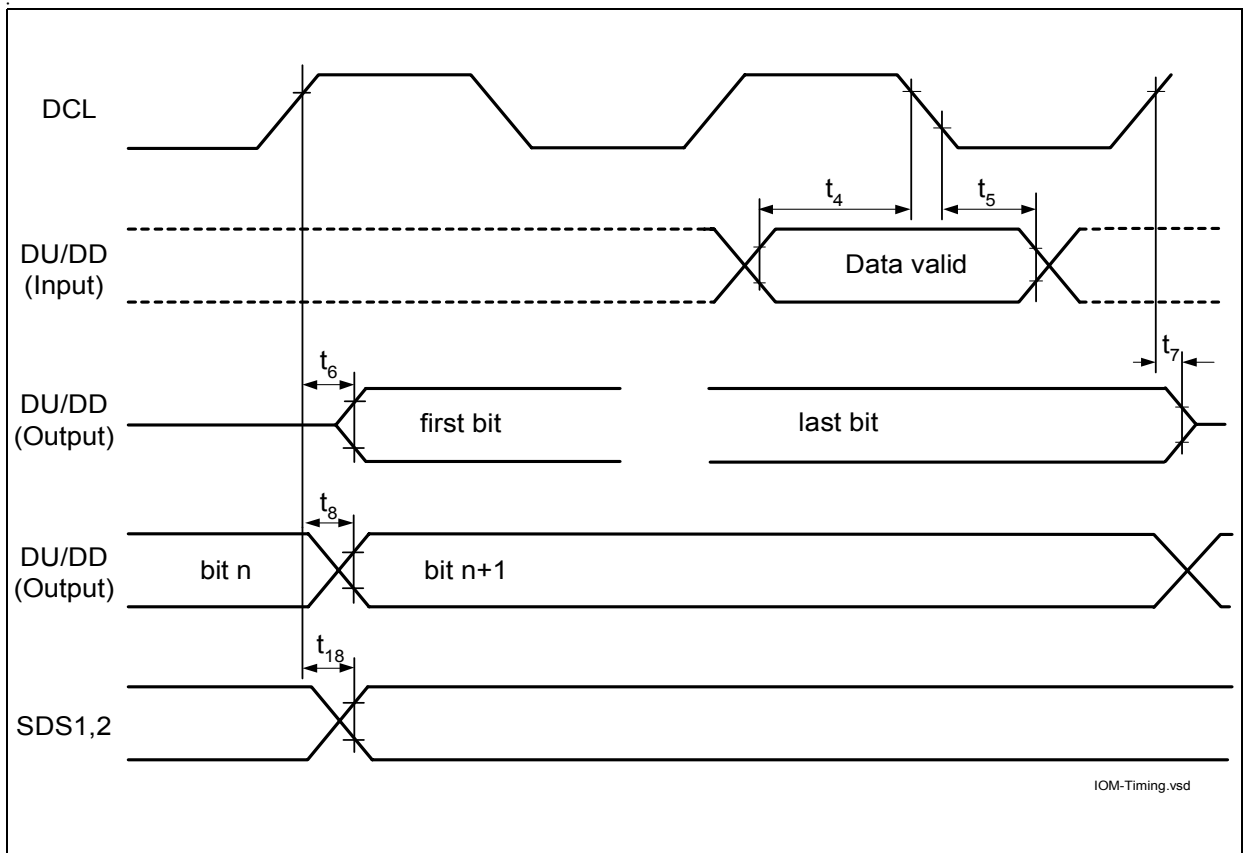


Figure 71 IOM<sup>®</sup>-2 Interface - Bit Synchronization Timing

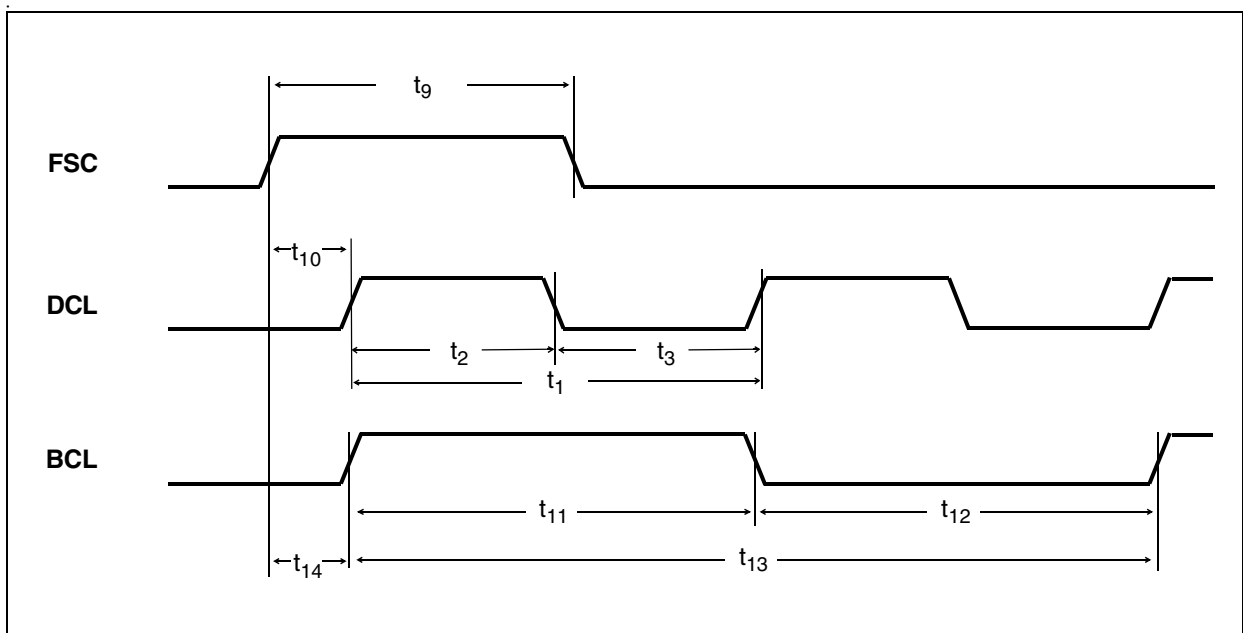


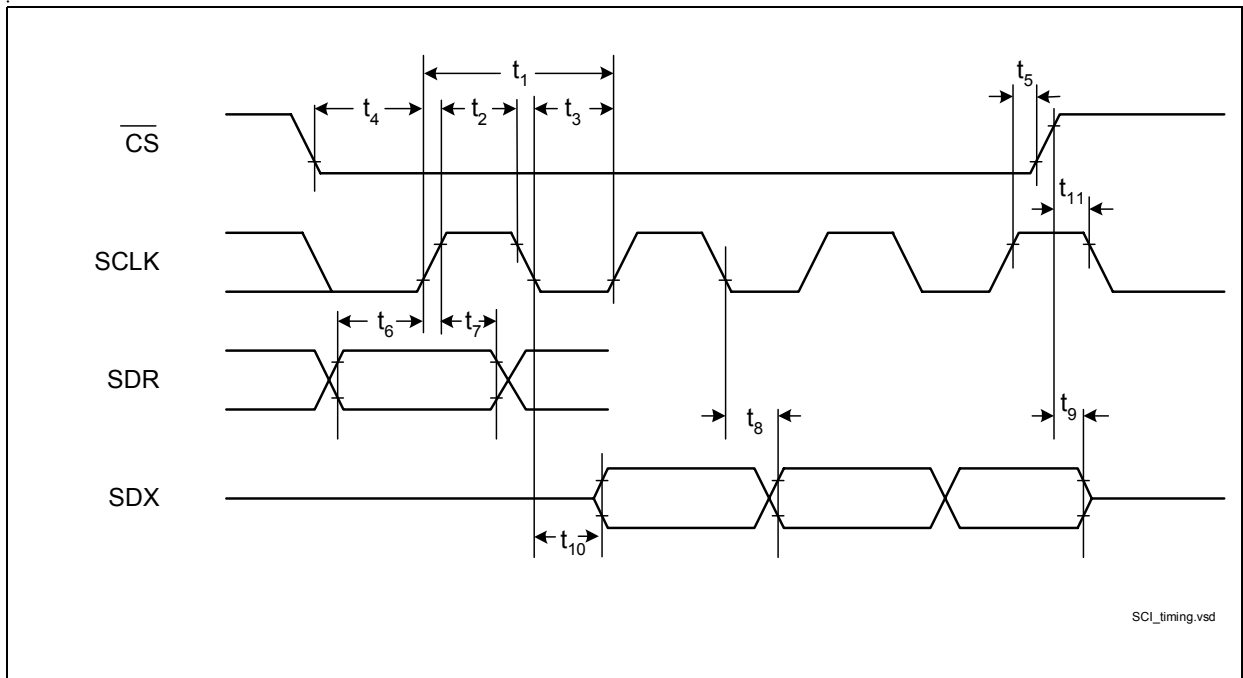
Figure 72 IOM<sup>®</sup>-2 Interface - Frame Synchronization Timing

**Electrical Characteristics**

Parameter <b>IOM<sup>®</sup>-2 Interface</b>	Symbol	Limit values			Unit
		Min	Typ	Max	
DCL period	$t_1$	565	651	735	ns
DCL high	$t_2$	200	310	420	ns
DCL low	$t_3$	200	310	420	ns
Input data setup	$t_4$	20			ns
Input data hold	$t_5$	20			ns
Output data from high impedance to active (FSC high or other than first timeslot)	$t_6$			100	ns
Output data from active to high impedance	$t_7$			100	ns
Output data delay from clock	$t_8$			80	ns
FSC high	$t_9$		50% of FSC cycle time		ns
FSC advance to DCL	$t_{10}$	65	130	195	ns
BCL high	$t_{11}$	565	651	735	ns
BCL low	$t_{12}$	565	651	735	ns
BCL period	$t_{13}$	1130	1302	1470	ns
FSC advance to BCL	$t_{14}$	65	130	195	ns
DCL, FSC rise/fall	$t_{15}$			30	ns
Data out fall ( $C_L = 50$ pF, $R = 2$ k $\Omega$ to $V_{DD}$ , open drain)	$t_{16}$			200	ns
Data out rise/fall ( $C_L = 50$ pF, tristate)	$t_{17}$			150	ns
Strobe Signal Delay	$t_{18}$			120	ns

*Note: At the start and end of a reset period, a frame jump may occur. This results in a DCL, BCL and FSC high time of min. 130 ns after this specific event.*

### 5.6.2 Serial $\mu$ P Interface



**Figure 73 Serial Control Interface**

Parameter SCI Interface	Symbol	Limit values		Unit
		Min	Max	
SCLK cycle time	$t_1$	200		ns
SCLK high time	$t_2$	80		ns
SCLK low time	$t_3$	80		ns
$\overline{\text{CS}}$ setup time	$t_4$	20		ns
$\overline{\text{CS}}$ hold time	$t_5$	10		ns
SDR setup time	$t_6$	15		ns
SDR hold time	$t_7$	15		ns
SDX data out delay	$t_8$		60	ns
$\overline{\text{CS}}$ high to SDX tristate	$t_9$		40	ns
SCLK to SDX active	$t_{10}$		60	ns
$\overline{\text{CS}}$ high to SCLK	$t_{11}$	10		ns

### 5.6.3 Parallel $\mu$ P Interface

#### Siemens/Intel Bus Mode

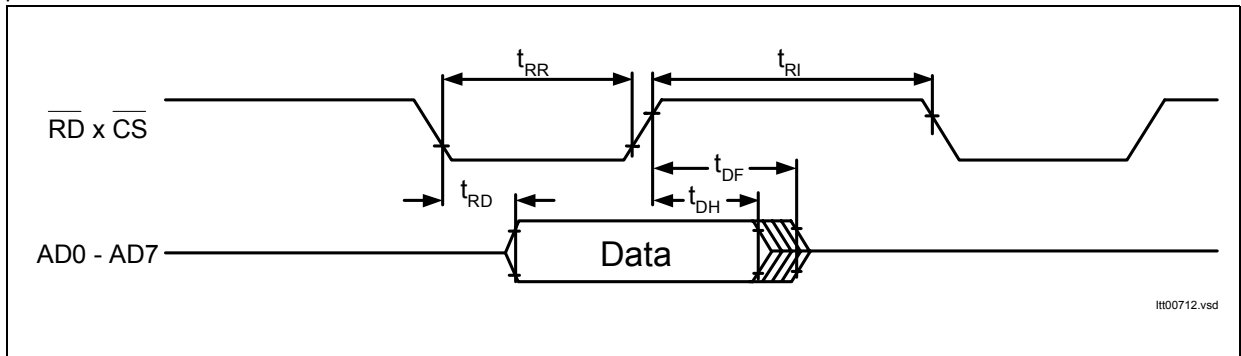


Figure 74 Microprocessor Read Cycle

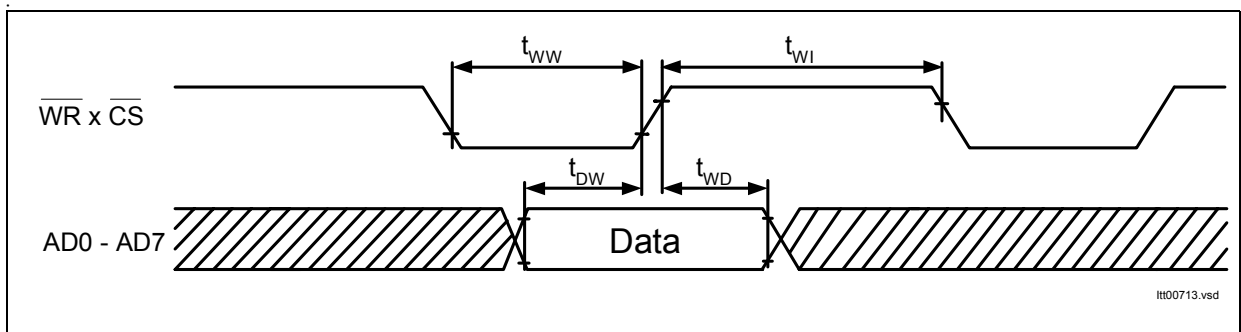


Figure 75 Microprocessor Write Cycle

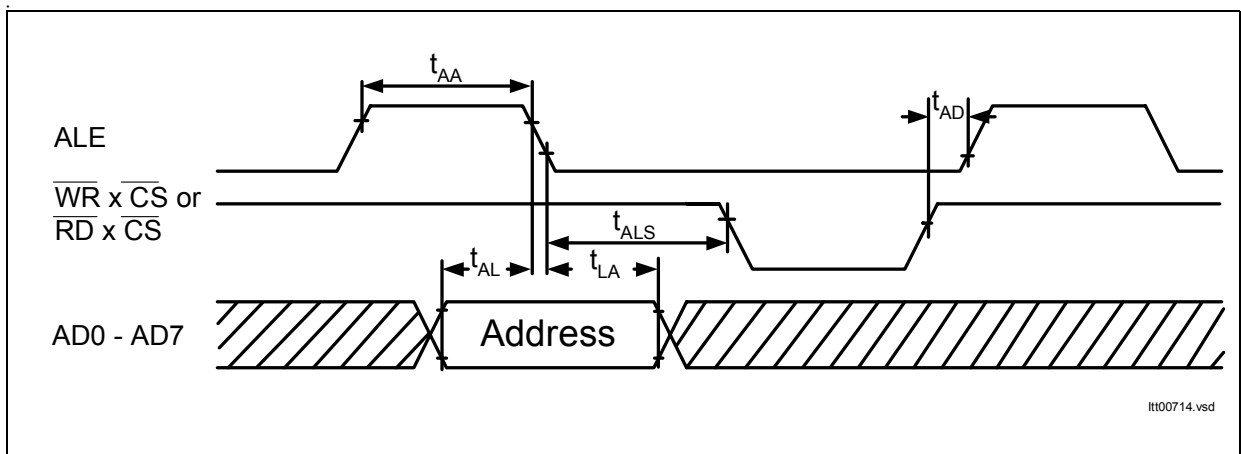


Figure 76 Multiplexed Address Timing

Electrical Characteristics

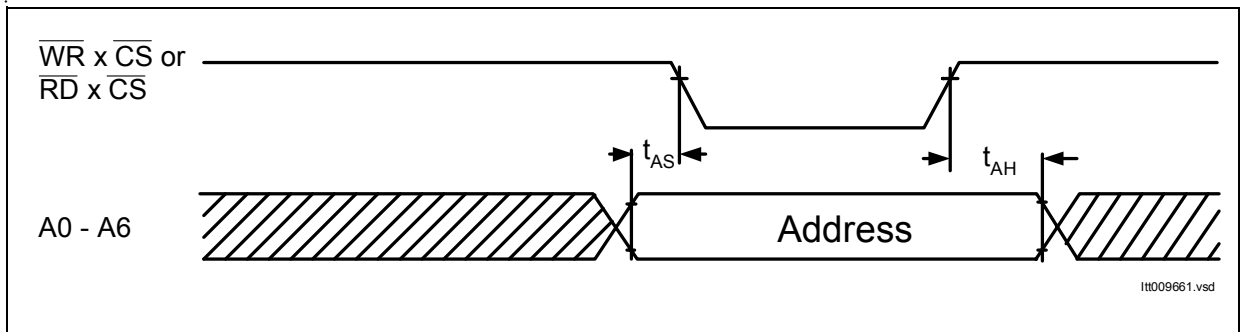


Figure 77 Non-Multiplexed Address Timing

Motorola Bus Mode

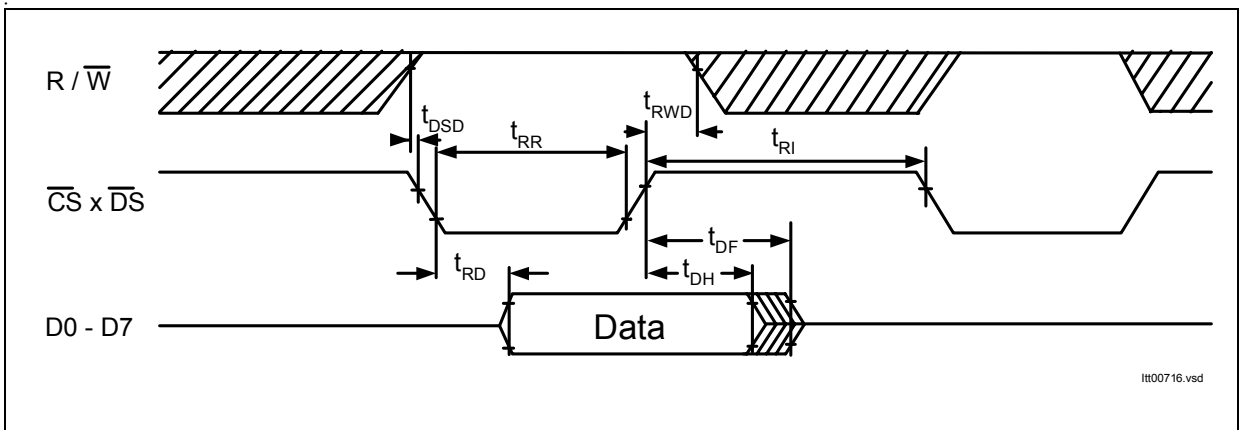


Figure 78 Microprocessor Read Timing

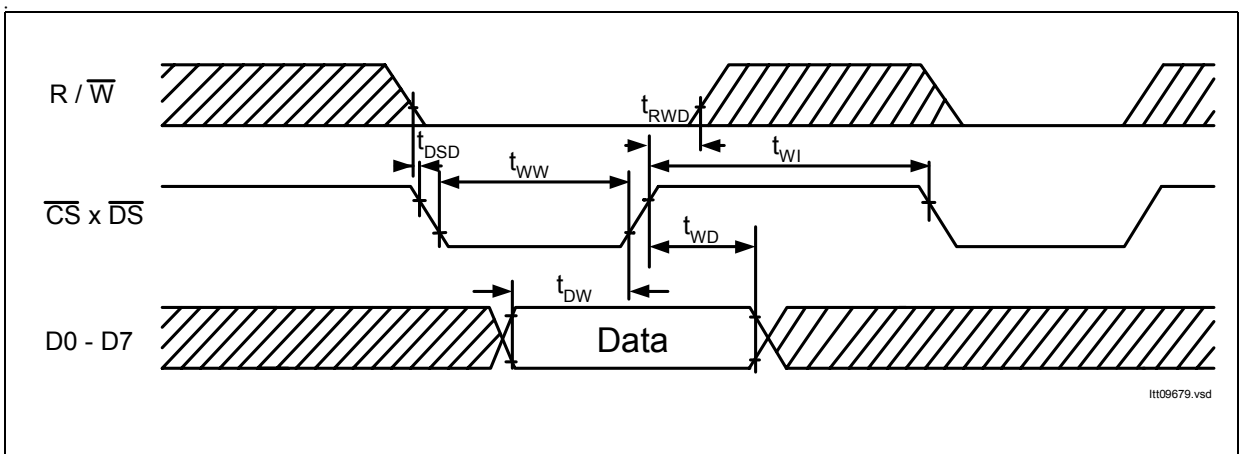


Figure 79 Microprocessor Write Cycle

Electrical Characteristics

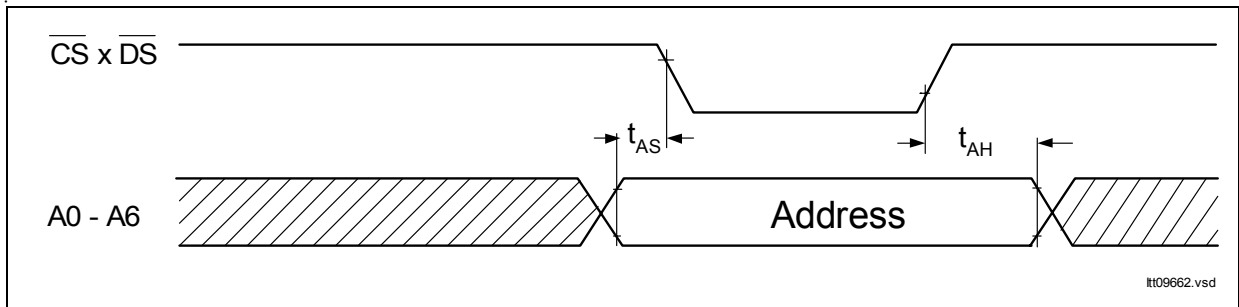


Figure 80 Non-Multiplexed Address Timing

Microprocessor Interface Timing

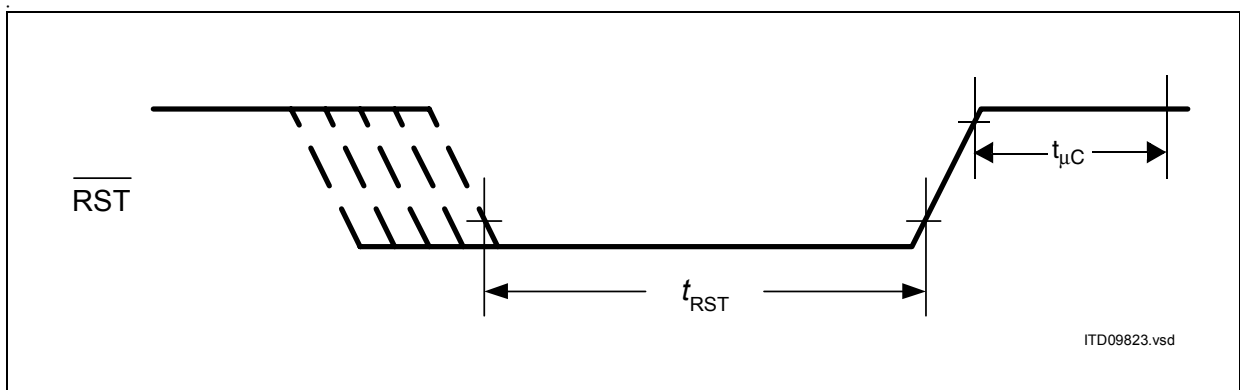
Parameter	Symbol	Limit Values		Unit
		min.	max.	
ALE pulse width	$t_{AA}$	20		ns
Address setup time to ALE	$t_{AL}$	10		ns
Address hold time from ALE	$t_{LA}$	10		ns
Address latch setup time to $\overline{WR}$ , $\overline{RD}$	$t_{ALS}$	10		ns
Address setup time	$t_{AS}$	10		ns
Address hold time	$t_{AH}$	10		ns
ALE guard time	$t_{AD}$	10		ns
$\overline{DS}$ delay after $R/\overline{W}$ setup	$t_{DSD}$	10		ns
$\overline{RD}$ pulse width	$t_{RR}$	80		ns
Data output delay from $\overline{RD}$	$t_{RD}$		80	ns
Data hold from $\overline{RD}$	$t_{DH}$	0		ns
Data float from $\overline{RD}$	$t_{DF}$		25	ns
$\overline{RD}$ control interval <sup>1)</sup>	$t_{RI}$	70		ns
$\overline{W}$ pulse width	$t_{WW}$	60		ns
Data setup time to $\overline{W} \times \overline{CS}$	$t_{DW}$	10		ns
Data hold time $\overline{W} \times \overline{CS}$	$t_{WD}$	10		ns
$\overline{W}$ control interval	$t_{WI}$	70		ns
$R/\overline{W}$ hold from $\overline{CS} \times \overline{DS}$ inactive	$t_{RWD}$	10		ns

<sup>1)</sup> control interval:  $t_{RI}$  is minimal 70ns for all registers except ISTAU and RDS. However, the time between two consecutive read accesses to one of the registers ISTAU or RDS, respectively, must be longer than 330ns. This does not limit  $t_{RI}$  of read sequences, which involve intermediate read access to other registers, as for instance: ISTAU -( $t_{RI}$ )- ISTA -( $t_{RI}$ )- ISTAS -( $t_{RI}$ )- ISTAU.

### 5.6.4 Reset

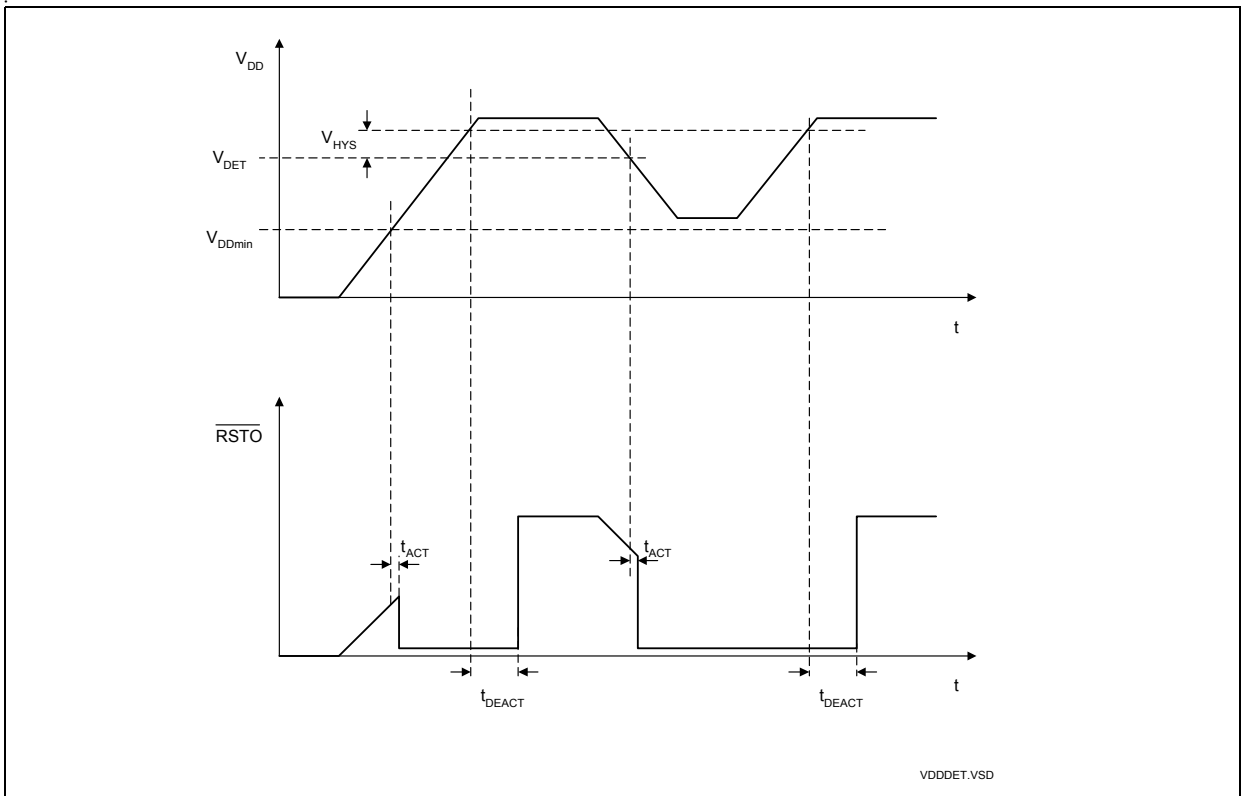
**Table 41 Reset Input Signal Characteristics**

Parameter	Symbol	Limit Values			Unit	Test Conditions
		min.	typ.	max.		
Length of active low state	$\overline{t_{RST}}$	4			ms	Power On the 4 ms are assumed to be long enough for the oscillator to run correctly
		2 x DCL clock cycles + 400 ns				After Power On
Delay time for $\mu C$ access after $\overline{RST}$ rising edge	$t_{\mu C}$	500			ns	



**Figure 81 Reset Input Signal**

### 5.6.5 Undervoltage Detection Characteristics



**Figure 82 Undervoltage Control Timing**

**Table 42 Parameters of the UVD/POR Circuit**

$V_{DD} = 3.3\text{ V} \pm 5\%$ ;  $V_{SS} = 0\text{ V}$ ;  $T_A = -40\text{ to }85\text{ }^\circ\text{C}$

Parameter	Symbol	Limit Values			Unit	Test Condition
		min.	typ.	max.		
Detection Threshold <sup>1)</sup>	$V_{DET}$	2.7	2.8	2.92	V	$V_{DD} = 3.3\text{ V} \pm 5\%$
Hysteresis	$V_{Hys}$	30		90	mV	
Max. rising/falling $V_{DD}$ edge for activation/deactivation of UVD	$dV_{DD}/dt$			0.1	V/ $\mu\text{s}$	
Max. rising $V_{DD}$ for power-on <sup>2)</sup>				0.1	V/ ms	
Min. operating voltage	$V_{DDmin}$	1.5			V	



Electrical Characteristics

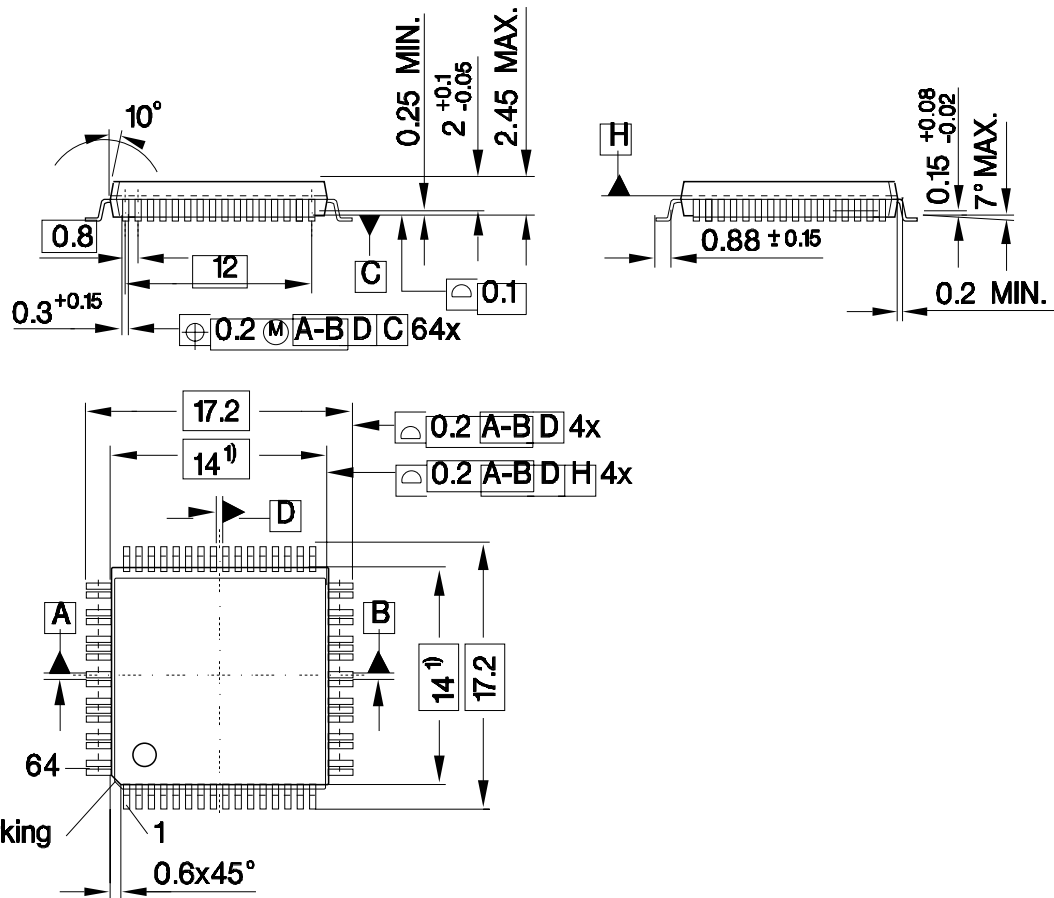
$V_{DD} = 3.3\text{ V} \pm 5\%$ ;  $V_{SS} = 0\text{ V}$ ;  $T_A = -40\text{ to }85\text{ }^\circ\text{C}$

Parameter	Symbol	Limit Values			Unit	Test Condition
		min.	typ.	max.		
Delay for activation of $\overline{\text{RSTO}}$	$t_{\text{ACT}}$			10	$\mu\text{s}$	
Delay for deactivation of $\overline{\text{RSTO}}$	$t_{\text{DEACT}}$		64		ms	

- 1) The Detection Threshold  $V_{\text{DET}}$  is far below the specified supply voltage range of analog and digital parts of the T-SMINT<sup>®</sup>. Therefore, the board designer must take into account that a range of voltages is existing, where neither performance and functionality of the T-SMINT<sup>®</sup> are guaranteed, nor a reset is generated.
- 2) If the integrated Power-On Reset of the T-SMINTIX is selected ( $\overline{\text{VDDDET}} = '0'$ ) and the supply voltage  $V_{\text{DD}}$  is ramped up from 0V to 3.3V +/- 5%, then the T-SMINTIX is kept in reset during  $V_{\text{DDmin}} < V_{\text{DD}} < V_{\text{DET}} + V_{\text{Hys}}$ .  $V_{\text{DD}}$  must be ramped up so slowly that the T-SMINTIX leaves the reset state after the oscillator circuit has already finished start-up. The start-up time of the oscillator circuit is typically in the range between 3ms and 12ms.

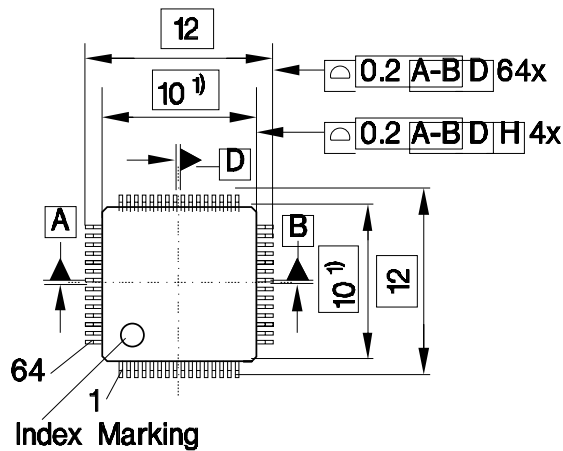
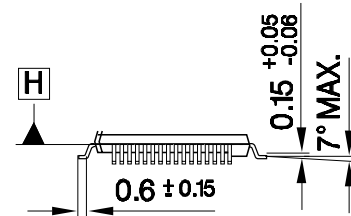
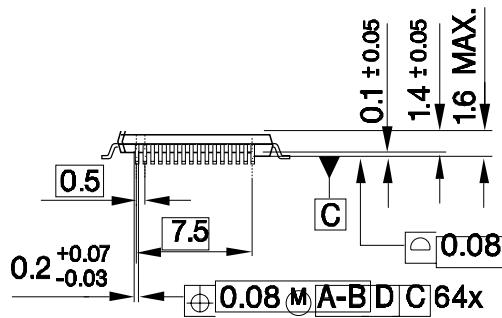
## 6 Package Outlines

Plastic Package, P-MQFP-64  
(Metric Quad Flat Package)



1) Does not include plastic or metal protrusion of 0.25 max. per side

Plastic Package, P-TQFP-64  
(Thin Quad Flat Package)



1) Does not include plastic or metal protrusion of 0.25 max. per side

Appendix: Differences between Q- and T-SMINT,IX

## 7 Appendix: Differences between Q- and T-SMINT<sup>®</sup>IX

The Q- and T-SMINT<sup>®</sup>IX have been designed to be as compatible as possible. However, some differences between them are unavoidable due to the different line codes 2B1Q and 4B3T used for data transmission on the U<sub>k0</sub> line.

Especially the pin compatibility between Q- and T-SMINT<sup>®</sup>IX allows for one single PCB design for both series with only some mounting differences. The  $\mu$ C software can distinguish between the Q- and T-series by reading the hardware Design Number via the IOM<sup>®</sup>-2 (MONITOR channel identification command) or the  $\mu$ C interface (register ID.DESIGN), respectively (see [Table 43](#)).

**Table 43 Design Number**

	Design Number	
	Q-SMINT <sup>®</sup> IX: 2B1Q	T-SMINT <sup>®</sup> IX: 4B3T
<b>Version</b>	Version 1.3: '000 001'	Version 1.1: '100 000'

The following chapter summarizes the main differences between the Q- and T-SMINT<sup>®</sup>IX.

Appendix: Differences between Q- and T-SMINT,IX

7.1 Pinning

7.1.1 Pin Definitions and Functions

Table 44 Pin Definitions and Functions

	Pin T/MQFP-64	Q-SMINT®IX: 2B1Q	T-SMINT®IX: 4B3T
	16	Metallic Termination Input (MTI)	Tie to '1'
	55	Power Status (primary) (PS1)	Tie to '1'
	41	Power Status (secondary) (PS2)	Tie to '1'

7.1.2 LED Pin  $\overline{\text{ACT}}$

The 4 LED states (off, fast flashing, slow flashing, on), which can be displayed with pin  $\overline{\text{ACT}}$ , are slightly different for Q- and T-SMINT®IX (see [Table 45](#)). This adoption guarantees full compliance of T-SMINT®IX to the new iNT specification TS 0284/96.

Table 45  $\overline{\text{ACT}}$  States

LED States	Pin $\overline{\text{ACT}}$	
	Q-SMINT®IX: 2B1Q	T-SMINT®IX: 4B3T
off	$V_{DD}$	$V_{DD}$
fast flashing	8Hz (1 : 1)*	2Hz (1 : 1)*
slow flashing	1Hz (1 : 1)*	1Hz (3 : 1)*
on	GND	GND

Note: \* denotes the duty cycle 'high' : 'low'.

Appendix: Differences between Q- and T-SMINT,IX

7.2 U-Transceiver

7.2.1 U-Interface Conformity

Table 46 Related Documents to the U-Interface

	Q-SMINT®IX: 2B1Q	T-SMINT®IX: 4B3T
ETSI: TS 102 080	conform to annex A compliant to 10 ms interruptions	conform to annex B
ANSI: T1.601-1998 (Revision of ANSI T1.601-1992)	conform MLT input and decode logic	not required
CNET: ST/LAA/ELR/DNP/822	conform	not required
RC7355E	conform	not required
FTZ-Richtlinie 1 TR 220	not required	conform
FTZ TS 0284/96 'Intelligenter Netzabschluss (iNT)' März 2001	not required	conform

Appendix: Differences between Q- and T-SMINT,IX

7.2.2 U-Transceiver State Machines

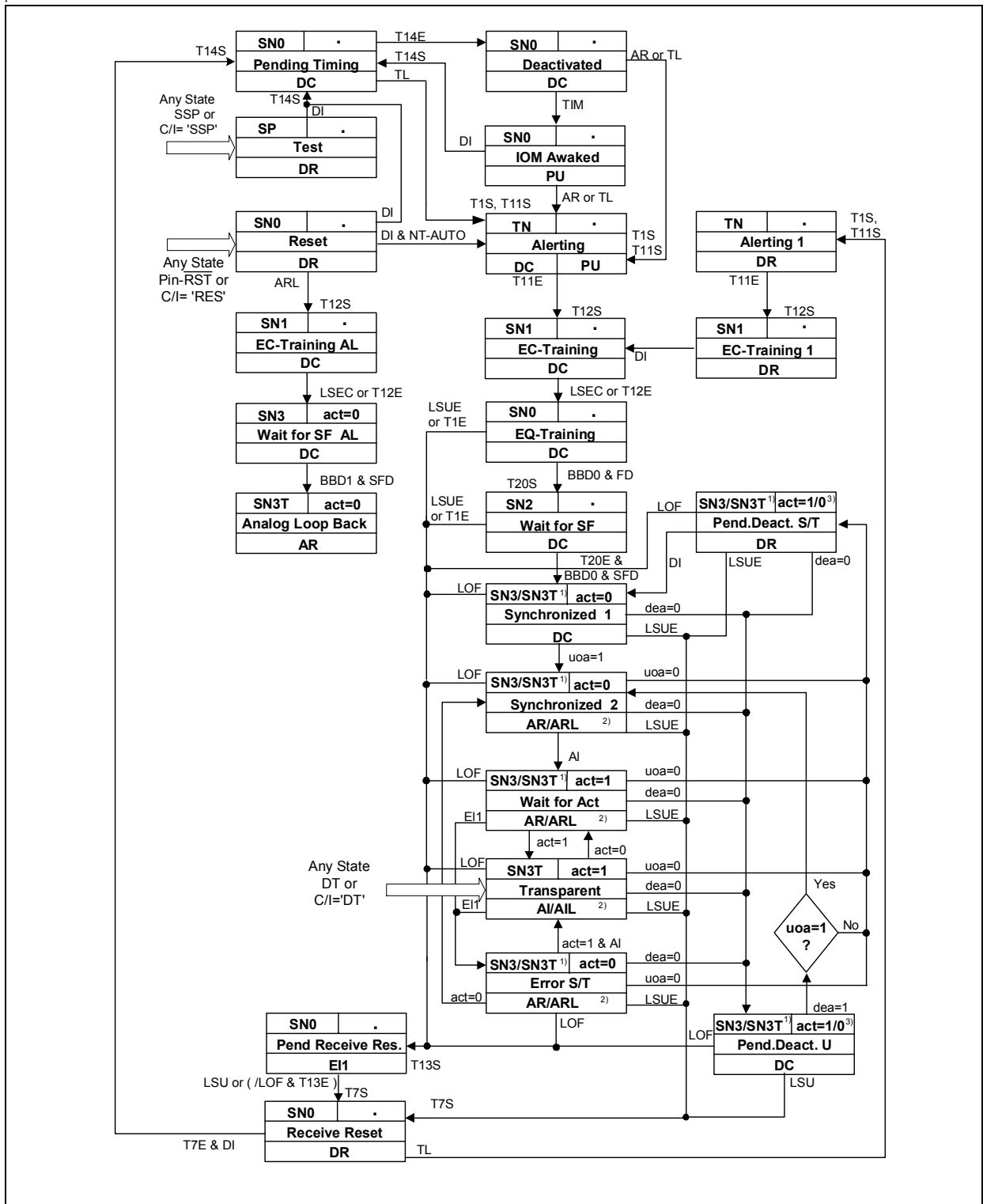
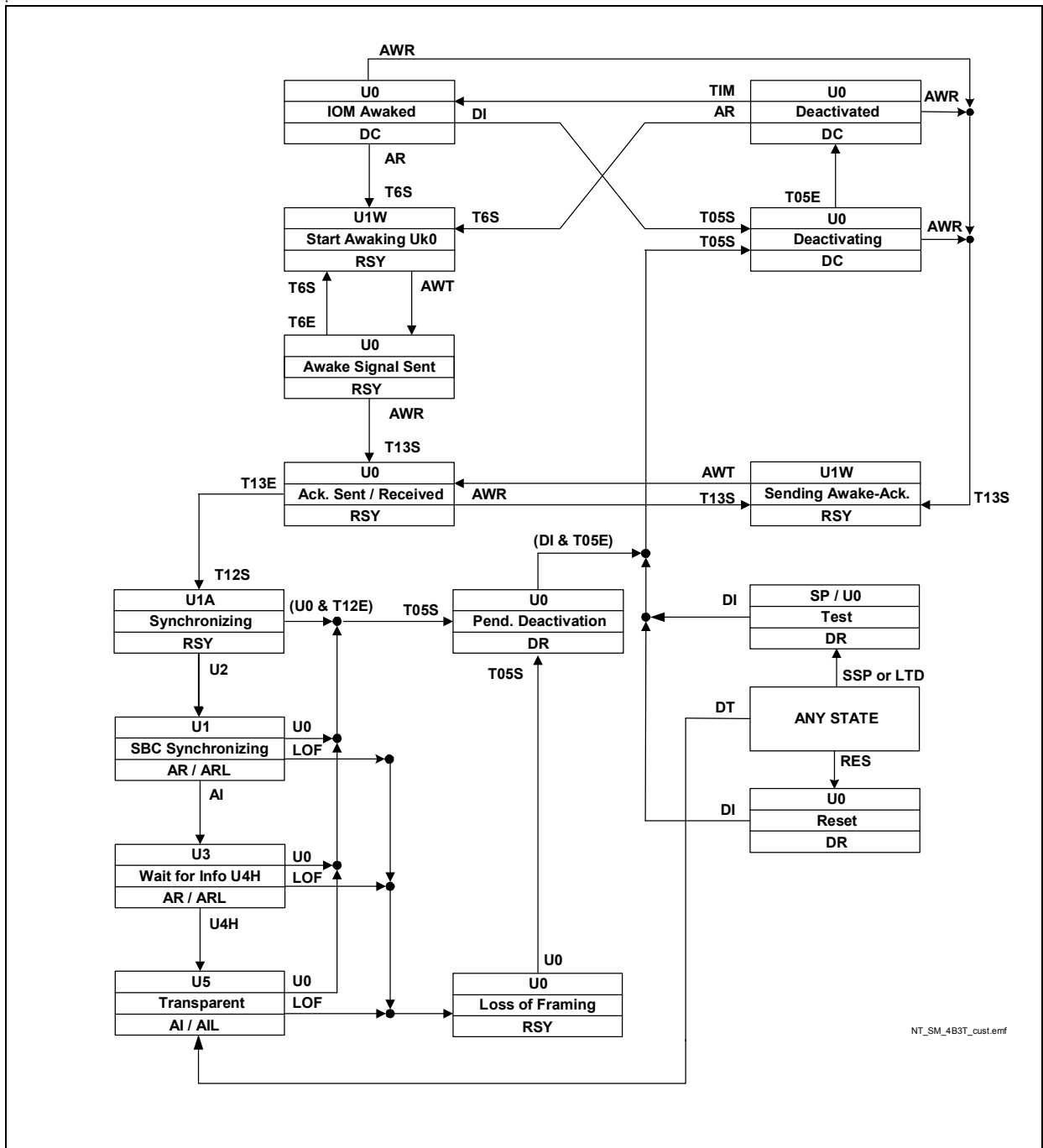


Figure 83 NTC-Q Compatible State Machine Q-SMINT® IX: 2B1Q





Appendix: Differences between Q- and T-SMINT,IX



NT\_SM\_4B3T\_cust.emf

Figure 85 IEC-T/NTC-T Compatible State Machine T-SMINT<sup>®</sup>IX: 4B3T

Both the Q- and the T-SMINT<sup>®</sup>IX U-transceiver can be controlled via state machines, which are compatible to those defined for the old NT generation INTC-Q and NTC-T. Additionally, the Q-SMINT<sup>®</sup>IX possesses a newly defined, so called ‘simplified’ state machine. This simplified state machine can be used optionally instead of the INTC-Q compatible state machine and eases the U-transceiver control by software. Such a simplified state machine is not available for the T-SMINT<sup>®</sup>IX.

Appendix: Differences between Q- and T-SMINT,IX

7.2.3 Command/Indication Codes

Table 47 C/I Codes

Code	Q-SMINT® IX: 2B1Q		T-SMINT® IX: 4B3T	
	IN	OUT	IN	OUT
0000	TIM	DR	TIM	DR
0001	RES	–	–	–
0010	–	–	–	–
0011	–	–	LTD	–
0100	EI1	EI1	–	RSY
0101	SSP	–	SSP	–
0110	DT	–	DT	–
0111	–	PU	–	–
1000	AR	AR	AR	AR
1001	–	–	–	–
1010	ARL	ARL	–	ARL
1011	–	–	–	–
1100	AI	AI	AI	AI
1101	–	–	RES	–
1110	–	AIL	–	AIL
1111	DI	DC	DI	DC

Appendix: Differences between Q- and T-SMINT,IX

7.2.4 Interrupt Structure

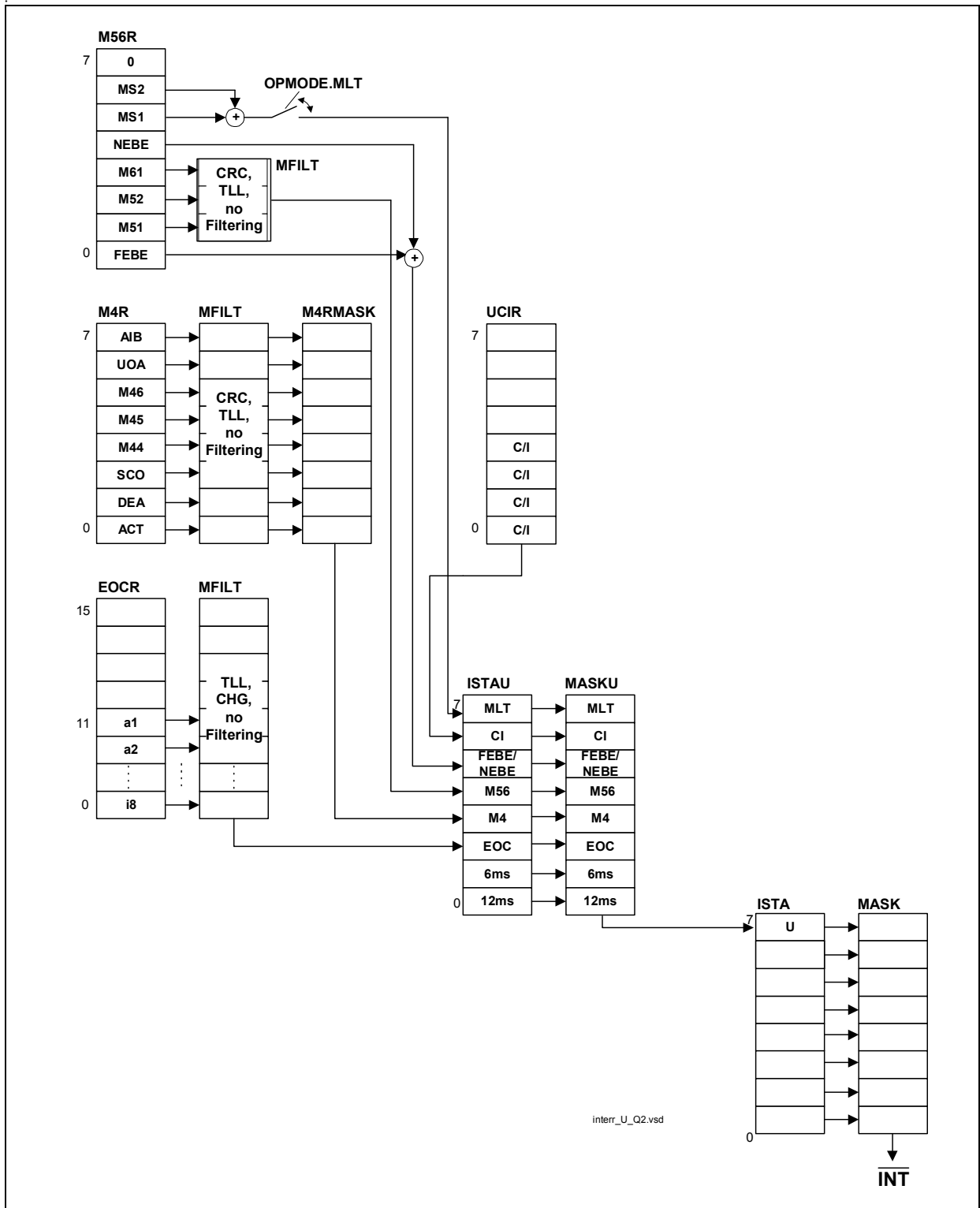


Figure 86 Interrupt Structure U-Transceiver Q-SMINT<sup>®</sup> IX: 2B1Q

Appendix: Differences between Q- and T-SMINT,IX

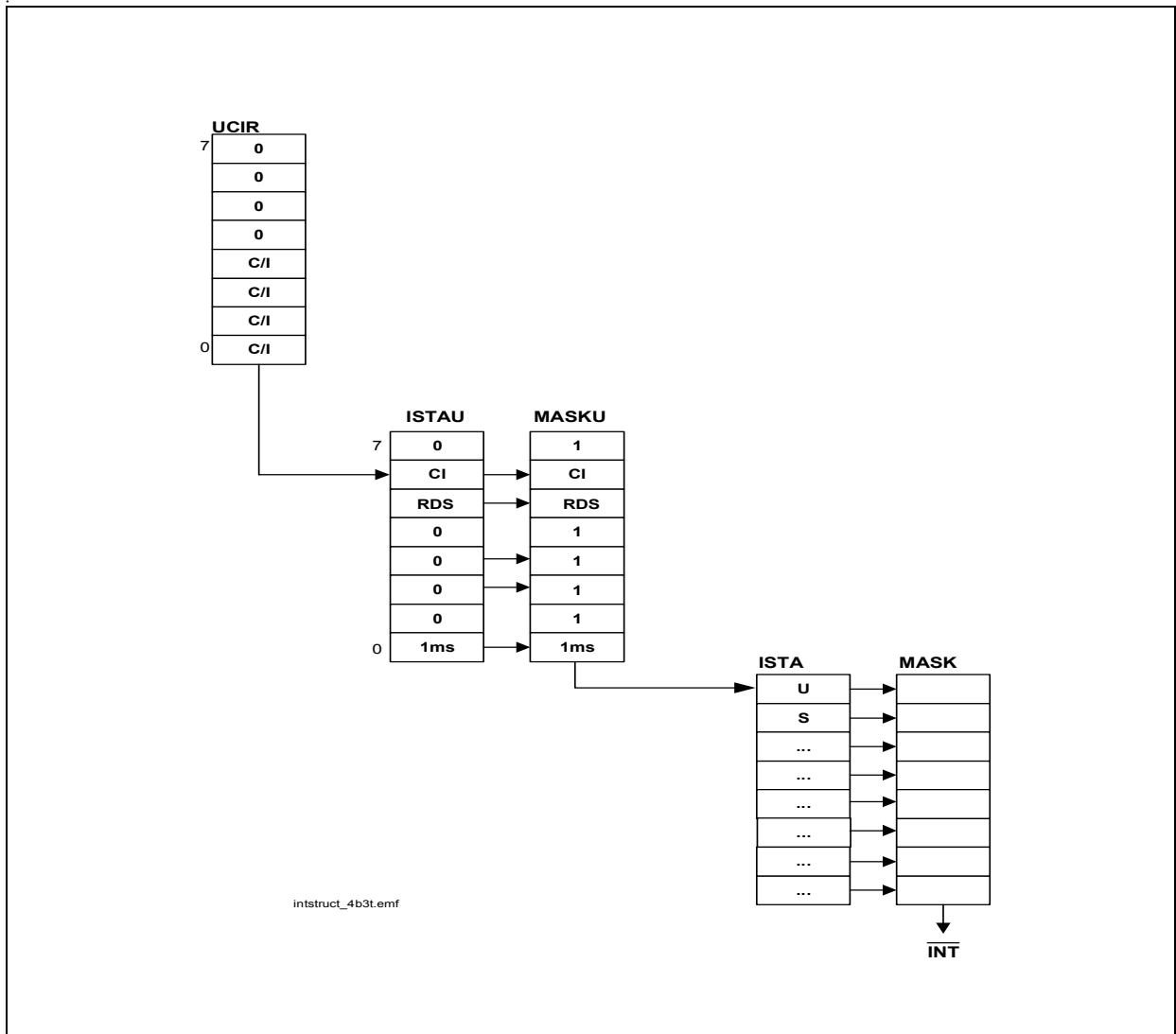


Figure 87 Interrupt Structure U-Transceiver T-SMINT<sup>®</sup> IX: 4B3T

Appendix: Differences between Q- and T-SMINT,IX

7.2.5 Register Summary U-Transceiver

U-Interface Registers Q-SMINT®IX: 2B1Q

Name	7	6	5	4	3	2	1	0	ADDR	R/W	RES
OPMODE	0	UCI	FEBE	MLT	0	CI_SEL	0	0	60 <sub>H</sub>	R*/W	14 <sub>H</sub>
MFILT	M56 FILTER		M4 FILTER			EOC FILTER			61 <sub>H</sub>	R*/W	14 <sub>H</sub>
	reserved								62 <sub>H</sub>		
EOCR	0	0	0	0	a1	a2	a3	d/m	63 <sub>H</sub>	R	0F
	i1	i2	i3	i4	i5	i6	i7	i8	64 <sub>H</sub>		FF <sub>H</sub>
EOCW	0	0	0	0	a1	a2	a3	d/m	65 <sub>H</sub>	W	01 <sub>H</sub>
	i1	i2	i3	i4	i5	i6	i7	i8	66 <sub>H</sub>		00 <sub>H</sub>
M4RMASK	M4 Read Mask Bits								67 <sub>H</sub>	R*/W	00 <sub>H</sub>
M4WMASK	M4 Write Mask Bits								68 <sub>H</sub>	R*/W	A8 <sub>H</sub>
M4R	verified M4 bit data of last received superframe								69 <sub>H</sub>	R	BE <sub>H</sub>
M4W	M4 bit data to be send with next superframe								6A <sub>H</sub>	R*/W	BE <sub>H</sub>
M56R	0	MS2	MS1	NEBE	M61	M52	M51	FEBE	6B <sub>H</sub>	R	1F <sub>H</sub>
M56W	1	1	1	1	M61	M52	M51	FEBE	6C <sub>H</sub>	W	FF <sub>H</sub>
UCIR	0	0	0	0	C/I code output				6D <sub>H</sub>	R	00 <sub>H</sub>
UCIW	0	0	0	0	C/I code input				6E <sub>H</sub>	W	01 <sub>H</sub>
TEST	0	0	0	0	CCRC	+1 Tones	0	40 KHz	6F <sub>H</sub>	R*/W	00 <sub>H</sub>
LOOP	0	DLB	TRANS	U/IOM®	1	LBBD	LB2	LB1	70 <sub>H</sub>	R*/W	08 <sub>H</sub>
FEBE	FEBE Counter Value								71 <sub>H</sub>	R	00 <sub>H</sub>
NEBE	NEBE Counter Value								72 <sub>H</sub>	R	00 <sub>H</sub>
	reserved								73 <sub>H</sub> - 79 <sub>H</sub>		

**Appendix: Differences between Q- and T-SMINT,IX**

Name	7	6	5	4	3	2	1	0	ADDR	R/W	RES
ISTAU	MLT	CI	FEBE/ NEBE	M56	M4	EOC	6ms	12ms	7A <sub>H</sub>	R	00 <sub>H</sub>
MASKU	MLT	CI	FEBE/ NEBE	M56	M4	EOC	6ms	12ms	7B <sub>H</sub>	R*/W	FF <sub>H</sub>
FW_ VERSION	reserved								7C <sub>H</sub>		
	FW Version Number								7D <sub>H</sub>	R	6x <sub>H</sub>
	reserved								7E <sub>H</sub> - 7F <sub>H</sub>		

Appendix: Differences between Q- and T-SMINT,IX

U-Interface Registers T-SMINT® IX: 4B3T

Name	7	6	5	4	3	2	1	0	ADDR	R/W	RES
OPMODE	0	UCI	0	0	0	0	0	0	60 <sub>H</sub>	R*/W	00 <sub>H</sub>
	reserved								61 <sub>H</sub> - 6C <sub>H</sub>		
UCIR	0	0	0	0	C/I code output				6D <sub>H</sub>	R	00 <sub>H</sub>
UCIW	0	0	0	0	C/I code input				6E <sub>H</sub>	W	01 <sub>H</sub>
LOOP	reserved								6F <sub>H</sub>		
	0	0	TRANS	U/IOM®	1	LBBD	LB2	LB1	70 <sub>H</sub>	R*/W	08 <sub>H</sub>
RDS	reserved								71 <sub>H</sub>		
	Block Error Counter Value								72 <sub>H</sub>	R	00 <sub>H</sub>
ISTAU	reserved								73 <sub>H</sub> - 79 <sub>H</sub>		
	0	CI	RDS	0	0	0	0	1 ms	7A <sub>H</sub>	R	00 <sub>H</sub>
MASKU	1	CI	RDS	1	1	1	1	1 ms	7B <sub>H</sub>	R*/W	FF <sub>H</sub>
	reserved								7C <sub>H</sub>		
FW_ VERSION	FW Version Number								7D <sub>H</sub>	R	3x <sub>H</sub>
	reserved								7E <sub>H</sub> - 7F <sub>H</sub>		

Appendix: Differences between Q- and T-SMINT,IX

### 7.3 External Circuitry

The external circuitry of the Q- and T-SMINT<sup>®</sup>IX is equivalent; however, some external components of the U-transceiver hybrid must be dimensioned different for 2B1Q and 4B3T. All information on the external circuitry is preliminary and may be changed in future documents.

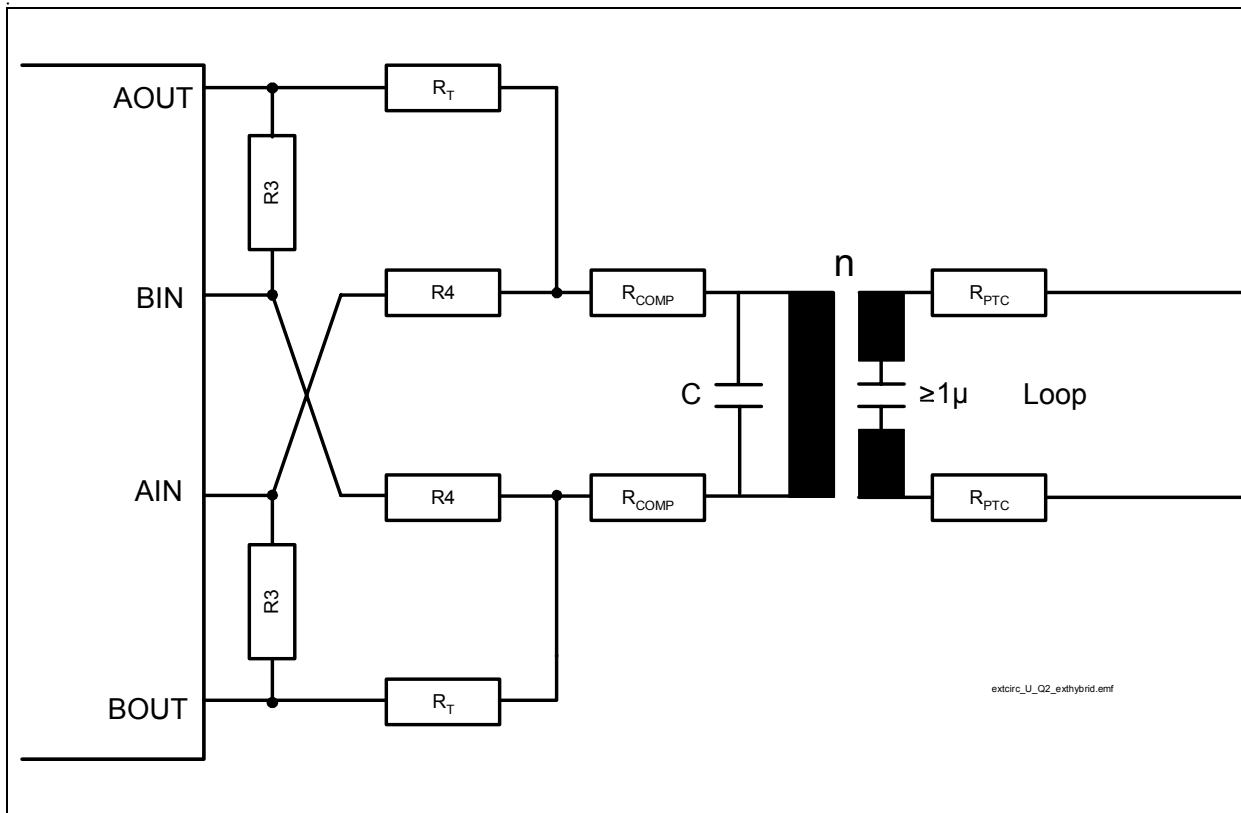


Figure 88 External Circuitry Q- and T-SMINT<sup>®</sup>IX

Note: the necessary protection circuitry is not displayed in [Figure 88](#).

Table 48 Dimensions of External Components

Component	Q-SMINT <sup>®</sup> IX: 2B1Q	T-SMINT <sup>®</sup> IX: 4B3T
Transformer: Ratio	1:2	1:1.6
Main Inductivity	14.5 mH	7.5 mH
Resistance	1.3 kΩ	1.75 kΩ
Resistance	1.0 kΩ	1.0 kΩ
Resistance	9.5 Ω	25 Ω
Capacitor C	27 nF	15 nF
R <sub>PTC</sub> and R <sub>Comp</sub>	2R <sub>PTC</sub> + 8R <sub>Comp</sub> = 40 Ω	n <sup>2</sup> × (2R <sub>COMP</sub> + R <sub>B</sub> ) + R <sub>L</sub> = 20Ω



## 8 Index

### A

Absolute Maximum Ratings 197  
Address Space 133

### B

Block Diagram 6  
Block Error Counter 64

### C

C/I Channel  
    Detailed Registers 145  
    Functional Description 49  
C/I Codes  
    S-Transceiver 84  
    U-Transceiver 65  
Controller Data Access (CDA) 30

### D

DC Characteristics 198  
D-Channel Access Control  
    Functional Description 51  
    State Machine 54  
Differences between Q- and T-SMINT 214

### E

External Circuitry  
    S-Transceiver 129  
    U-Transceiver 127

### F

Features 3

### H

HDLC Controller  
    Data Reception 96  
    Data Transmission 104  
    Detailed Registers 145  
    Functional Description 95  
    Message Transfer Modes 95

### I

Identification  
    via Monitor Channel 47  
    via Register Access 175  
Interrupts 134  
IOM<sup>®</sup>-2 Interface  
    AC Characteristics 203  
    Activation/Deactivation 56  
    Detailed Registers 176  
    Frame Structure 27  
    Functional Description 27

### L

Layer 1  
    Activation / Deactivation 115  
    Loopbacks 123  
LED Pins 12  
Line Overload Protection 197

### M

Maintenance Channel 62  
Microcontroller Clock Generation 23  
Microcontroller Interfaces  
    Interface Selection 16  
    Parallel Microcontroller Interface 21  
    Serial Control Interface (SCI) 16  
Monitor Channel  
    Detailed Registers 188  
    Error Treatment 45  
    Functional Description 41  
    Handshake Procedure 41  
    Interrupt Logic 48  
    Time-Out Procedure 48

### O

Oscillator Circuitry 132

### P

Package Outlines 212  
Parallel Microcontroller Interface  
    AC-Characteristics 206  
    Functional Description 21

Pin Configuration 5  
Pin Definitions and Functions 7  
Power Consumption 200  
Power Supply Blocking 127  
Power-On Reset 26, 210

## R

Register Summary 136  
Reset  
    Generation 24  
    Input Signal Characteristics 209  
    Power-On Reset 26, 210  
    Under Voltage Detection 26, 210

## S

S/Q Channels 80  
Scrambler / Descrambler 65  
Serial Control Interface (SCI)  
    AC-Characteristics 205  
    Functional Description 16  
Serial Data Strobe Signal 40  
Stop/Go Bit Handling 53  
S-Transceiver  
    Detailed Registers 163  
    Functional Description 78  
    State Machine, LT-S 90  
    State Machine, NT 86  
Supply Voltages 200  
Synchronous Transfer 36  
System Integration 13

## T

Test Modes 12  
TIC Bus Handling 51

## U

U-Interface Hybrid 127  
Under Voltage Detection 26, 210  
U-Transceiver  
    4B3T Frame Structure 58  
    Detailed Registers 191  
    Functional Description 58  
    State Machine NT 66

## W

Watchdog Timer 25

## Infineon goes for Business Excellence

“Business excellence means intelligent approaches and clearly defined processes, which are both constantly under review and ultimately lead to good operating results.

Better operating results and business excellence mean less idleness and wastefulness for all of us, more professional success, more accurate information, a better overview and, thereby, less frustration and more satisfaction.”

Dr. Ulrich Schumacher

<http://www.infineon.com>