



TNC Female Bulkhead Connector Solder Attachment For PE-SR405AL, PE-SR405FL, RG405, PE-SR405FLJ, .480 inch D Hole

TECHNICAL DATA SHEET
PE4147
TNC Female Bulkhead Connector Solder Attachment For PE-SR405AL, PE-SR405FL, RG405, PE-SR405FLJ, .480 inch D Hole
Configuration

Connector	TNC Female
Connector Interface Type	PE-SR405AL, PE-SR405FL, RG405, PE-SR405FLJ
Cable Attachment Method (Shield/Contact)	Solder/Solder
Body Style	Straight
Mount Method	Bulkhead

Electrical Specifications

Impedance, Ohms	50
-----------------	----

Mechanical Specifications
Size

Length, in [mm]	1.18 [29.97]
Width/Dia., in [mm]	0.75 [19]
Weight, lbs [g]	0.055 [24.95]

Connector

Type	TNC Female
Contact Material and Plating	Gold
Body Material and Plating	Passivated Stainless Steel
Dielectric Type	PTFE

Compliance Certifications (visit www.Pasternack.com for current document)

RoHS Compliant	Yes
----------------	-----

Plotted and Other Data

Notes:	Values at 25 °C, sea level
--------	----------------------------

URL: <http://www.pasternack.com/tnc-female-standard-pe-sr405al-pe-sr405fl-rg405-connector-pe4147-p.aspx>

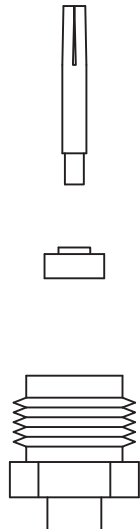
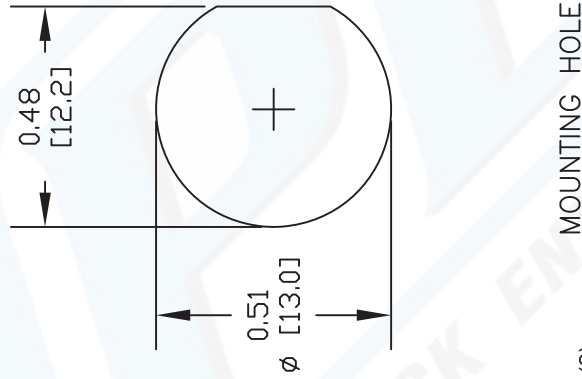
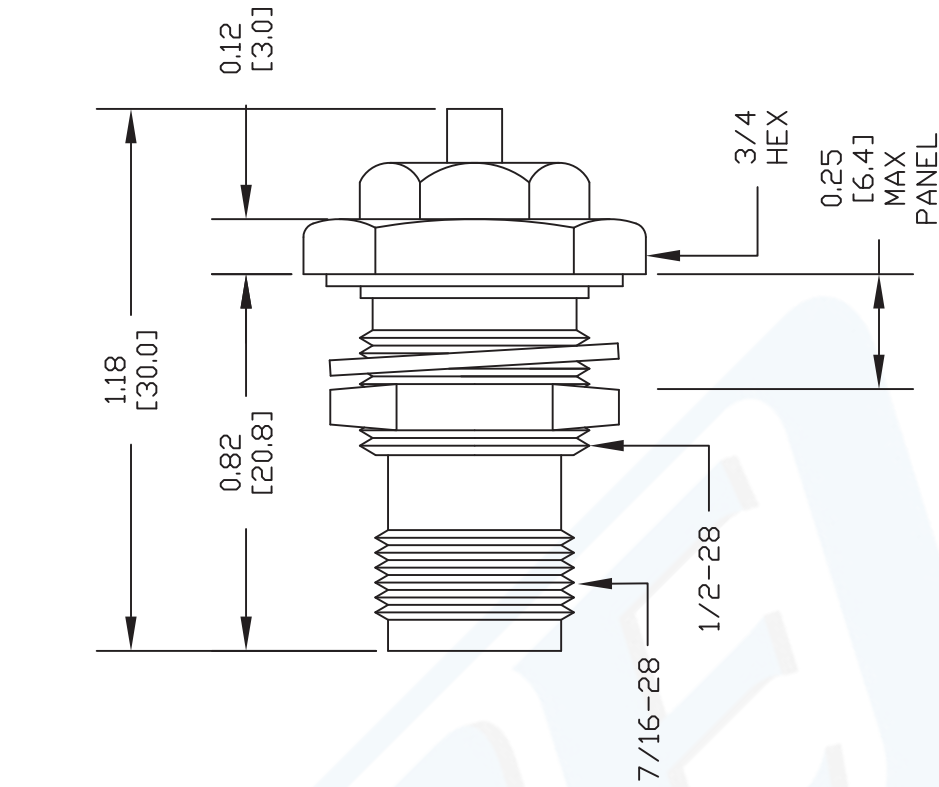
TNC Female Bulkhead Connector Solder Attachment For PE-SR405AL, PE-SR405FL, RG405, PE-SR405FLJ, .480 inch D Hole from Pasternack Enterprises has same day shipment for domestic and International orders. We maintain 99% availability of the industry's broadest selection of RF, microwave and fiber optic products.

The information contained in this document is accurate to the best of our knowledge and representative of the part described herein. It may be necessary to make modifications to the part and/or the documentation of the part, in order to implement improvements. Pasternack reserves the right to make such changes as required. Unless otherwise stated, all specifications are nominal.



PE4147 CAD Drawing

TNC Female Bulkhead Connector Solder Attachment For PE-SR405AL,
PE-SR405FL, RG405, PE-SR405FLJ, .480 inch D Hole



1 2 3



STRIPPING DIMENSIONS

ASSEMBLY PROCEDURES

1. TRIM CABLE JACKET & DIELECTRIC TO DIMENSION SHOWN. DO NOT NICK CENTER CONDUCTOR.
2. SLIDE CLAMP NUT (1) OVER CABLE. SLIDE INSULATOR (2) OVER CENTER CONDUCTOR INTO CLAMP NUT (1). SOLDER CONTACT (3) TO CENTER CONDUCTOR.
3. SLIDE ASSEMBLY FORWARD INTO BODY & TIGHTEN. SOLDER CLAMP NUT (1) TO OUTER CONDUCTOR.

NOTES:
1. UNLESS OTHERWISE SPECIFIED ALL DIMENSIONS ARE NOMINAL.
2. ALL SPECIFICATIONS ARE SUBJECT TO CHANGE WITHOUT NOTICE AT ANY TIME.
3. DIMENSIONS ARE IN INCHES [mm].
4. FITS MIL-C-17 AND EQUIVALENT CABLES.

DWG TITLE

PE4147

REV. A

FSCM NO. 53919

CAD FILE 042210

SCALE N/A

SIZE A

147



PASTERNAK
Pasternack Enterprises, Inc.
P.O. Box 16759 | Irvine | CA | 92623

Phone: (949) 261-1920 | Fax: (949) 261-7451
Website: www.pasternack.com | E-Mail: sales@pasternack.com