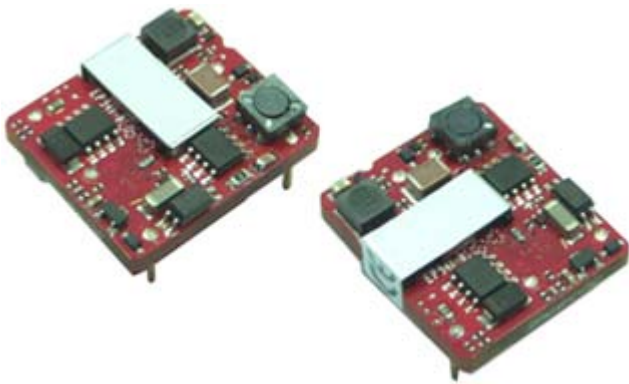


Wall Industries, Inc.

JFW SERIES

**4:1 Ultra Wide Input Voltage Range
DIP and SMT Type Packages
Single Outputs, RoHS Compliant
15W Open Frame DC/DC Power Converters**



FEATURES

- 15 Watts Maximum Output Power
- Single Output up to 4A
- Cost Efficient Open Frame Design
- Small Size and Low Profile: 1.10" x 0.94" x 0.34"
- High Efficiency up to 87%
- 4:1 Ultra Wide Input Voltage Range
- Fixed Switching Frequency
- Input to Output Isolation: 2250VDC
- No Minimum Load Requirement
- Output Voltage Adjustability
- Industry Standard Pin-out
- Negative or Positive Remote ON/OFF Control
- Over Current, Over Voltage, and Input Under Voltage Protection
- Surface Mount and Through Hole Types Available
- SMT Package Qualified for Lead-free Reflow Solder Process
According to IPC J-STD-020D
- CE Mark Meets 2006/95/EC, 93/68/EEC, and 2004/108/EC
- UL60950-1, EN60950-1, and IEC60950-1 Licensed
- ISO9001 Certified Manufacturing Facilities

APPLICATIONS

- Wireless Networks
- Telecom / Datacom
- Industry Control Systems
- Measurement Equipment
- Semiconductor Equipment

OPTIONS

- SMT Type
- Without Trim Pin
- Without ON/OFF Pin
- Negative Logic Remote ON/OFF

DESCRIPTION

The JFW series of DC/DC power converters provides 15 Watts of output power in a low profile industry standard package and footprint. These converters have single outputs and operate over 4:1 input voltage ranges of 9-36VDC and 18-75VDC. These units are also protected against over current, over voltage, and input under voltage conditions. Some features include high efficiency up to 87%, adjustable output voltage, and positive or negative remote ON/OFF control. These converters are RoHS compliant and have UL60950-1, EN60950-1, and IEC60950-1 safety approvals. Both surface mount ("S" suffix) and DIP (standard) packages are available.

SPECIFICATIONS: JFW Series						
All specifications are based on 25°C, Nominal Input Voltage, and Maximum Output Current unless otherwise noted. We reserve the right to change specifications based on technological advances.						
SPECIFICATION	TEST CONDITIONS	Min	Typ	Max	Unit	
INPUT SPECIFICATIONS						
Input Voltage Range	24VDC nominal input models	9	24	36	VDC	
	48VDC nominal input models	18	48	75		
Start-up Voltage	24VDC nominal input models			9	VDC	
	48VDC nominal input models			18		
Shutdown Voltage	24VDC nominal input models		8		VDC	
	48VDC nominal input models		16			
Input Surge Voltage (100ms)	24VDC nominal input models			50	VDC	
	48VDC nominal input models			100		
Input Reflected Ripple Current			30		mAp-p	
OUTPUT SPECIFICATIONS						
Output Voltage		See Table				
Line Regulation	Low line to high line at full load	-0.2		+0.2	%	
Load Regulation	No load to full load	-0.2		+0.2	%	
Voltage Accuracy	Full load an nominal Vin	-1		+1	%	
Voltage Adjustability (See Note 6)		-10		+10	%	
Output Power				15	W	
Output Current		See Table				
Ripple & Noise (20Hz BW)	Measured with a 1µF M/C and a 10µF T/C		100		mVp-p	
Transient Response Recovery Time	25% load step change		250		µs	
Start-Up Time	Nominal input and constant resistive load	Power Up		30	ms	
		Remote ON/OFF		30		
Minimum Load		0			%	
Temperature Coefficient		-0.02		+0.02	%/°C	
PROTECTION						
Over Voltage Protection	Voltage clamped	3.3VDC Output Model	3.7	5.4	VDC	
		5VDC Output Model	5.6	7.0		
		12VDC Output Model	13.8	17.5		
		15VDC Output Model	16.8	20.5		
Over Load Protection	% of FL at nominal input		150		%	
Short Circuit Protection		Hiccup, automatic recovery				
GENERAL SPECIFICATIONS						
Efficiency	Nominal input and full load	See Table				
Switching Frequency	3.3VDC & 5VDC Output Models	315	350	385	KHz	
	12VDC & 15VDC Output Models	360	400	440		
Isolation Voltage (Input to Output)	For 1 minute	2250			VDC	
Isolation Resistance		10			GΩ	
Isolation Capacitance				1500	pF	
REMOTE ON/OFF (See Note 7)						
Positive Logic (standard)	DC/DC ON		Open or 3V < Vr < 15V			
	DC/DC OFF		Short or 0V < Vr < 1.2V			
Negative Logic (optional)	DC/DC ON		Short or 0V < Vr < 1.2V			
	DC/DC OFF		Open or 3V < Vr < 15V			
Input Current of Remote Control Pin	Nominal Input	-0.5		1	mA	
Remote Off Input Current	Nominal Input		2.5		mA	
ENVIRONMENTAL SPECIFICATIONS						
Operating Ambient Temperature	With derating	-40		+85	°C	
Storage Temperature		-55		+125	°C	
Relative Humidity		5		95	% RH	
Thermal Shock		MIL-STD-810F				
Vibration		MIL-STD-810F				
Lead-Free Reflow Solder Process		IPC J-STD-020D				
Moisture Sensitivity Level (MSL)		IPC J-STD-033B Level 2a				
MTBF (See Note 1)	BELLCORE TR-NWT-000332		1,322,000 hours			
	MIL-HDBK-217F		514,700 hours			
PHYSICAL SPECIFICATIONS						
Weight		0.36oz (10.5g)				
Dimensions (L x W x H)		1.10 x 0.94 x 0.34 inches (27.9 x 23.9 x 8.5 mm)				
SAFETY & EMC CHARACTERISTICS						
Safety Approvals		IEC60950-1, UL60950-1, EN60950-1				
EMI (See Note 8)	EN55022	Class A				
Radiated Immunity	EN61000-4-3	10 V/m	Perf. Criteria A			
Fast Transient (See Note 9)	EN61000-4-4	±2KV	Perf. Criteria A			
Surge (See Note 9)	EN61000-4-5	±1KV	Perf. Criteria A			
Conducted Immunity	EN61000-4-6	3 Vrms	Perf. Criteria A			

MODEL SELECTION TABLE

Model Number	Input Range	Output Voltage	Output Current		Output ⁽⁴⁾ Ripple & Noise	Input Current		Output Power	Efficiency ⁽⁴⁾	Capacitor ⁽⁵⁾ Load max
			Min. load	Full load		No load ⁽³⁾	Full load ⁽²⁾			
JFW24S3.3-4000	24 VDC (9 - 36 VDC)	3.3 VDC	0mA	4000mA	100mVp-p	60mA	680mA	13W	85%	12000µF
JFW24S5-3000		5 VDC	0mA	3000mA	100mVp-p	70mA	754mA	15W	87%	6000µF
JFW24S12-1300		12 VDC	0mA	1300mA	100mVp-p	10mA	793mA	15W	86%	1000µF
JFW24S15-1000		15 VDC	0mA	1000mA	100mVp-p	10mA	763mA	15W	86%	660µF
JFW48S3.3-4000	48 VDC (18 - 75 VDC)	3.3 VDC	0mA	4000mA	100mVp-p	40mA	340mA	13W	85%	12000µF
JFW48S5-3000		5 VDC	0mA	3000mA	100mVp-p	40mA	377mA	15W	87%	6000µF
JFW48S12-1300		12 VDC	0mA	1300mA	100mVp-p	10mA	392mA	15W	86%	1000µF
JFW48S15-1000		15 VDC	0mA	1000mA	100mVp-p	10mA	382mA	15W	86%	660µF

See Product Options table on page 5

NOTES

1. BELLCORE TR-NWT-000332. Case 1: 50% Stress, Temperature at 40°C. MIL-HDBK-217F Notice2 @ Ta=25°C, Full load (Ground, benign, controlled environment).
2. Maximum value at nominal input voltage and full load.
3. Typical value at nominal input voltage and no load.
4. Typical value at nominal input voltage and full load.
5. Test by minimum input and constant resistive load.
6. Trimming allows the user to increase or decrease the output voltage set point of the module. This is accomplished by connecting an external resistor between the TRIM pin and either the +OUTPUT pin or the -OUTPUT pin.
7. The CTRL pin voltage is referenced to -INPUT. (See the “Product Options” table on page 5 for suffix options).
8. The JFW Series meets EN55022 Class A and Class B only with external components connected to the input pins of the converter.
9. An external filter capacitor is required if the module has to meet EN61000-4-4 and EN61000-4-5. The filter capacitor suggested is Nippon chemi-con KY Series, 220µF/100V, ESR 48mΩ.

CAUTION: These power modules are not internally fused. An input line fuse must always be used.

OUTPUT ADJUSTABILITY

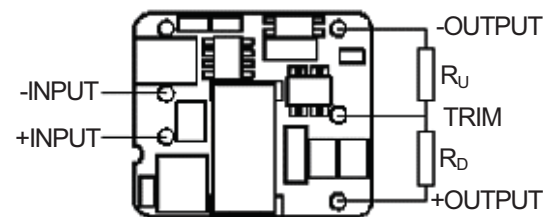
Output voltage adjustment allows the user to increase or decrease the output voltage set point of a module. This is accomplished by connecting an external resistor between the TRIM pin and either the +OUTPUT or -OUTPUT pins. With an external resistor between the TRIM and -OUTPUT pin, the output voltage set point increases. With an external resistor between the TRIM and +OUTPUT pin, the output voltage set point decreases. The external TRIM resistor needs to be at least 1/16W.

Trim Up Equation

$$R_U = \left[\frac{G \times L}{(V_{O,up} - L - K)} - H \right] \Omega$$

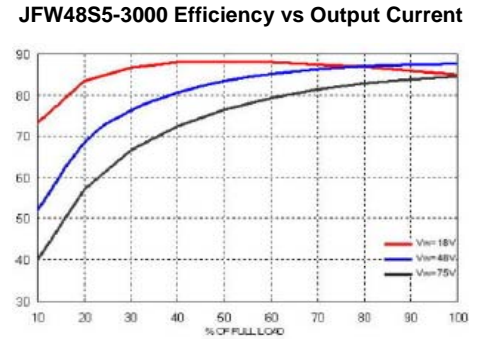
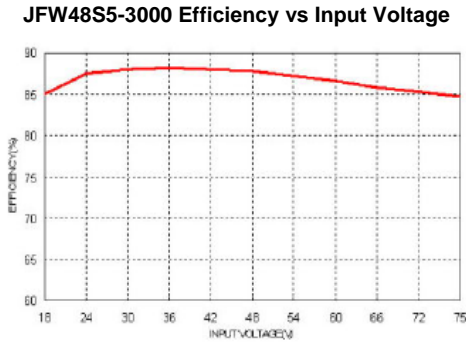
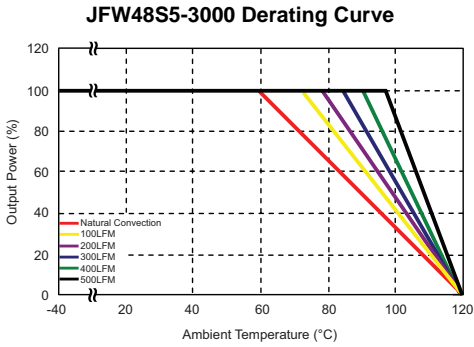
Trim Down Equation

$$R_D = \left[\frac{(V_{O,down} - L) \times G}{(V_O - V_{O,down})} - H \right] \Omega$$



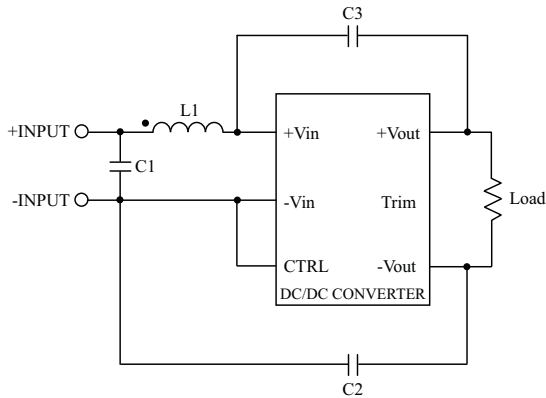
Model	G	H	K	L
JFWXXS3.3-4000	5110	2050	0.8	2.5
JFWXXS5-3000	5110	2050	2.5	2.5
JFWXXS12-1300	10000	5110	9.5	2.5
JFWXXS15-1000	10000	5110	12.5	2.5

CHARACTERISTIC CURVES



RECOMMENDED EMI FILTERS

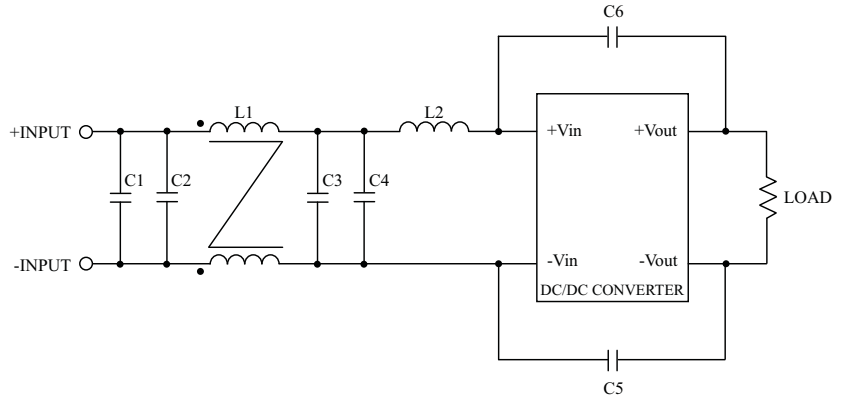
Recommended Filter for EN55022 Class A Compliance



The components used in the figure above are as follows:

MODEL	C1	C2, C3	L1
JFW24	6.8µF/50V 1812 MLCC	470pF/3KV 1808 MLCC	10µF SMT Inductor PMT-070
JFW48	2.2µF/100V 1812 MLCC	470pF/3KV 1808 MLCC	18µF SMT Inductor PMT-071

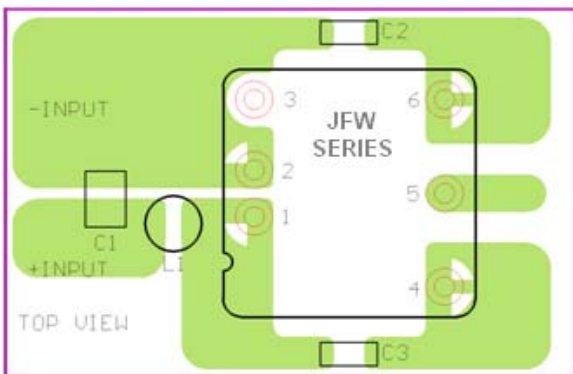
Recommended Filter for EN55022 Class B Compliance



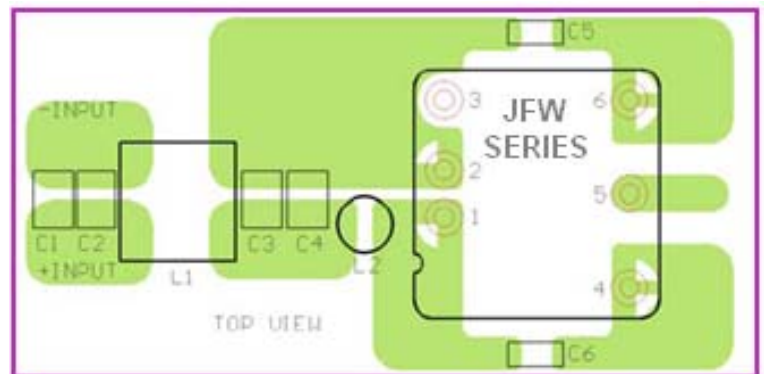
The components used in the figure above are as follows:

MODEL	C1	C2, C3, C4	C5, C6	L1	L2
JFW24	N/A	6.8µF/50V 1812 MLCC	470pF/3KV 1808 MLCC	145µH Common Choke PMT-051	10µF SMT Inductor PMT-070
JFW48	2.2µF/100V 1812 MLCC	2.2µF/100V 1812 MLCC	470pF/3KV 1808 MLCC	325µH Common Choke PMT-050	33µF SMT Inductor PMT-069

Recommended EN55022 Class A Filter Circuit Layout

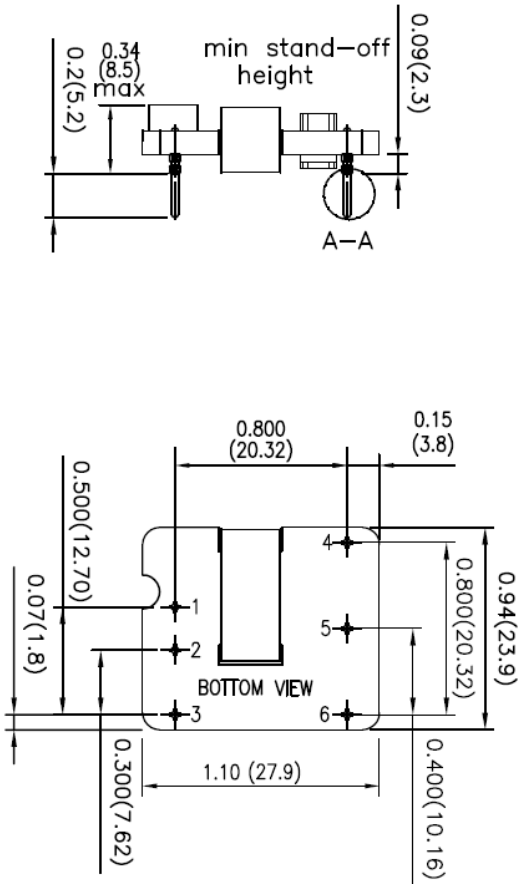


Recommended EN55022 Class B Filter Circuit Layout

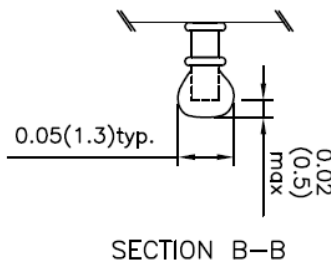
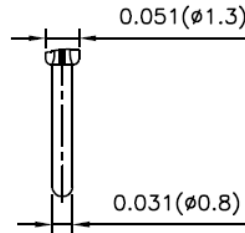


MECHANICAL DRAWING

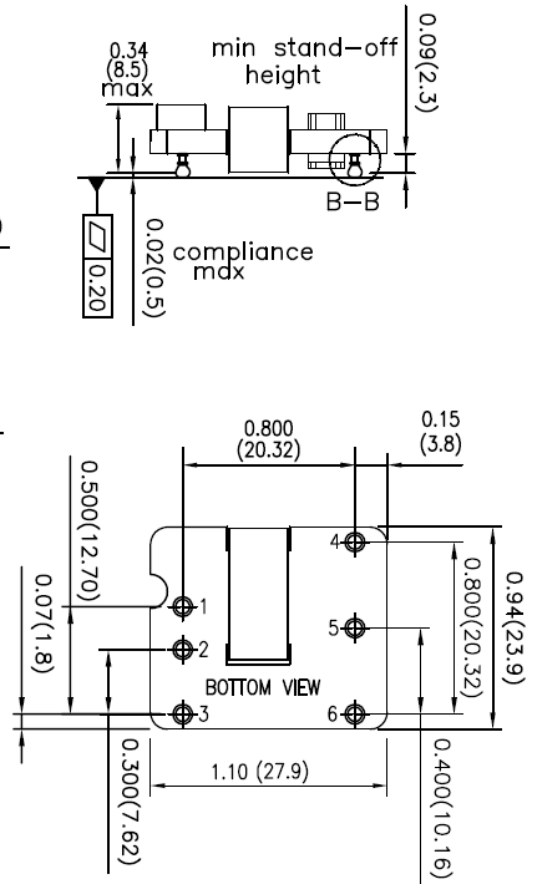
DIP TYPE (Standard)



1. Unit: inches (mm)
2. Tolerance: X.XX±0.02 (X.X±0.5)
X.XXX±0.01 (X.XX±0.25)
3. Pin pitch tolerance: ±0.01 (±0.25)
4. Pin dimension tolerance: ±0.004 (±0.1)

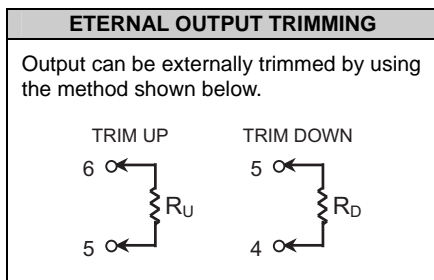


SMT TYPE (Suffix "S")



PAD LAYOUT 6 PADS φ2.8mm

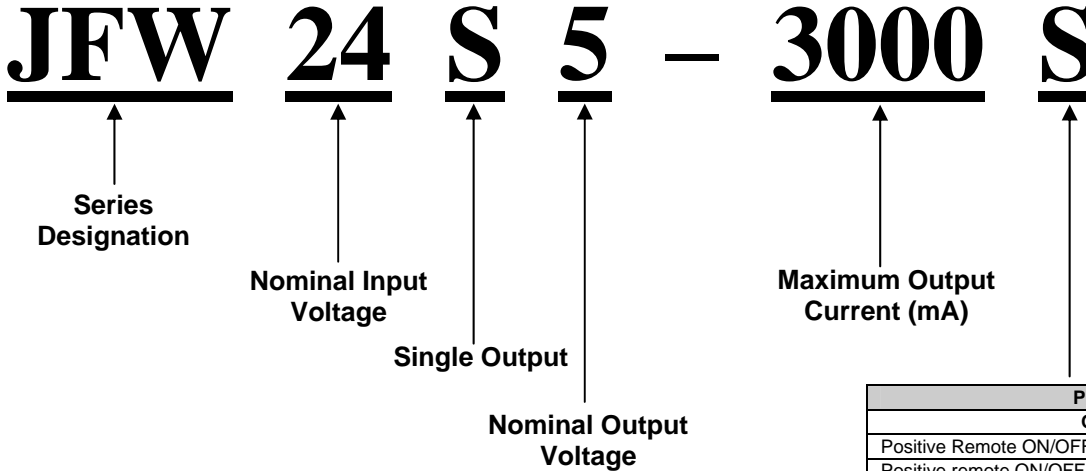
PIN CONNECTIONS	
PIN	JFW SERIES
1	+INPUT
2	-INPUT
3	CTRL
4	+OUTPUT
5	TRIM
6	-OUTPUT



PRODUCT OPTIONS	
Option	Suffix
Positive Remote ON/OFF with DIP (standard)	No Suffix
Positive remote ON/OFF with SMT	S
Negative Remote ON/OFF with DIP	R
Negative Remote ON/OFF with SMT	SR
DIP type without ON/OFF pin	D
SMT type without ON/OFF pin	SD
DIP type without ON/OFF & TRIM pin	G
SMT type without ON/OFF & TRIM pin	SG
DIP type, negative remote ON/OFF, without TRIM pin	F
SMT type, negative remote ON/OFF, without TRIM pin	SF
DIP type, positive remote ON/OFF, without TRIM pin	J
SMT type, positive remote ON/OFF, without TRIM pin	SJ

ORDERING INFORMATION

Part Number Example:



PRODUCT OPTIONS	
Option	Suffix
Positive Remote ON/OFF with DIP (standard)	No Suffix
Positive remote ON/OFF with SMT	S
Negative Remote ON/OFF with DIP	R
Negative Remote ON/OFF with SMT	SR
DIP type without ON/OFF pin	D
SMT type without ON/OFF pin	SD
DIP type without ON/OFF & TRIM pin	G
SMT type without ON/OFF & TRIM pin	SG
DIP type, negative remote ON/OFF, without TRIM pin	F
SMT type, negative remote ON/OFF, without TRIM pin	SF
DIP type, positive remote ON/OFF, without TRIM pin	J
SMT type, positive remote ON/OFF, without TRIM pin	SJ

COMPANY INFORMATION

Wall Industries, Inc. has created custom and modified units for over 50 years. Our in-house research and development engineers will provide a solution that exceeds your performance requirements on-time and on budget. Our ISO9001-2008 certification is just one example of our commitment to producing a high quality, well-documented product for our customers.

Our past projects demonstrate our commitment to you, our customer. Wall Industries, Inc. has a reputation for working closely with its customers to ensure each solution meets or exceeds form, fit and function requirements. We will continue to provide ongoing support for your project above and beyond the design and production phases. Give us a call today to discuss your future projects.

Contact **Wall Industries** for further information:

Phone: ☎ (603)778-2300
Toll Free: ☎ (888)587-9255
Fax: ☎ (603)778-9797
E-mail: sales@wallindustries.com
Web: www.wallindustries.com
Address: 5 Watson Brook Rd.
Exeter, NH 03833