

SKBPC35005 THRU SKBPC3516

SILICON/GLASS PASSIVATED THREE PHASE BRIDGE RECTIFIERS

Voltage Range 50 to 1600 Volts Current 35 Amperes

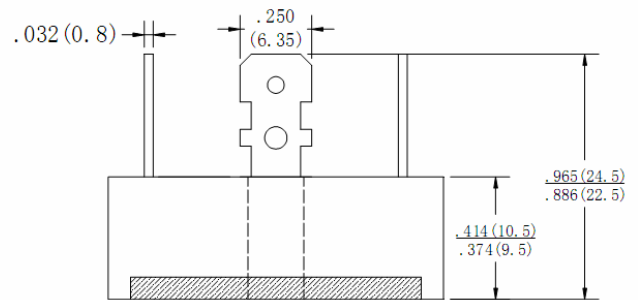
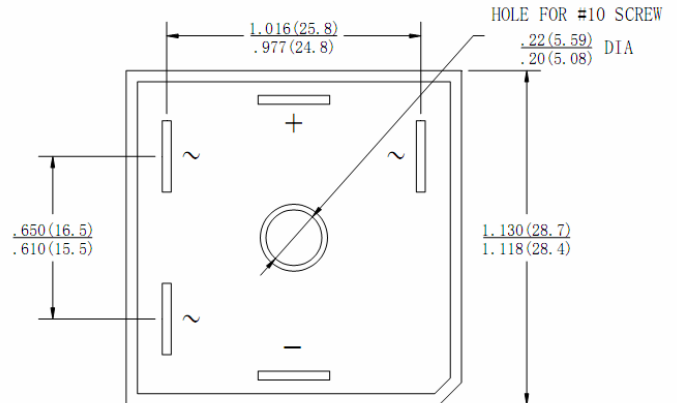
FEATURES

- ◆ Diffused Junction
- ◆ Low Forward Voltage Drop
- ◆ High Current Capability
- ◆ High Reliability
- ◆ High Surge Current Capability
- ◆ Ideal for Printed Circuit Boards:

Mechanical Data

- ◆ Case: Epoxy Case with Heat Sink Internally
Mounted in the Bridge Encapsulation
- ◆ Terminals: Plated Leads Solderable per
MIL-STD-202, Method 208
- ◆ Polarity: As Marked on Body
- ◆ Weight: 20 grams (approx.)
- ◆ Mounting Position: Bolt Down on Heatsink With Silicone
Thermal Compound Between Bridge and Mounting Surface
for Maximum Heat Transfer Efficiency
- ◆ Mounting Torque: 20 in lbs. Max
- ◆ Marking: Type Number

SKBPC



METAL HEAT SINK

Dimensions in inches and (millimeters)

MAXIMUM RATINGS AND ELECTRICAL CHARACTERISTICS

Rating at 25°C ambient temperature unless otherwise specified.

Single phase, half wave, 60Hz, resistive or inductive load. For capacitive load, derate current by 20%

Type Number		SKBPC 35005	SKBPC 3501	SKBPC 3502	SKBPC 3504	SKBPC 3506	SKBPC 3508	SKBPC 3510	SKBPC 3512	SKBPC 3514	SKBPC 3516	UNITS
Maximum Repetitive Peak Reverse Voltage	V_{RRM}	50	100	200	400	600	800	1000	1200	1400	1600	V
Maximum RMS Voltage	V_{RMS}	35	70	140	280	420	560	700	840	980	1120	V
Maximum DC blocking Voltage	V_{DC}	50	100	200	400	600	800	1000	1200	1400	1600	V
Maximum Average Forward Rectified Current @ $T_C = 100^\circ C$	$I(AV)$	35										A
Non-Repetitive Peak Forward Surge Current (No Voltage Reapplied $t=8.3ms$ at 60HZ) (No Voltage Reapplied $t=10ms$ at 50HZ) (100% VRRM Reapplied $t=8.3ms$ at 60HZ) (100% VRRM Reapplied $t=10ms$ at 50HZ)	I_{FSM}	500 475 420 400										A

SKBPC35005 THRU SKBPC3516

SILICON/GLASS PASSIVATED THREE PHASE BRIDGE RECTIFIERS

Voltage Range 50 to 1600 Volts

Current 35 Amperes

MAXIMUM RATINGS AND ELECTRICAL CHARACTERISTICS

Rating at 25°C ambient temperature unless otherwise specified.

Single phase, half wave, 60Hz, resistive or inductive load. For capacitive load, derate current by 20%

Type Number	SKBPC	SKBPC	SKBPC	SKBPC	SKBPC	SKBPC	SKBPC	SKBPC	SKBPC	SKBPC	UNITS
	/SBR	/SBR	/SBR	/SBR	/SBR	/SBR	/SBR	/SBR	/SBR	/SBR	
	25005	2501	2502	2504	2506	2508	2510	2512	2514	25005	
I²t Rating for fusing (No Voltage Reapplied t=8.3ms at 60HZ) (No Voltage Reapplied t=10ms at 50HZ) (100% VRRM Reapplied t=8.3ms at 60HZ) (100% VRRM Reapplied t=10ms at 50HZ)	I ² t	1030									A ² S
		1130									
		730									
		800									
Forward Voltage (per element) @T _J =25°C, @ I _{FM} =40APK per single junction	V _F	1.19									V
Peak Reverse Current (per leg) @T_J=25°C At Rated DC Blocking Voltage @T _J =125°C	I _R	10									μ A
		5.0									mA
RMS Isolation Voltage from Case to Lead	V _{ISO}	2500									V
Thermal Resistance Junction to Case at DC Operation per Bridge	R _{θJC}	1.16									K/W
Thermal Resistance Case to Heatsink Mounting Surface, Smooth, Flat and Greased	R _{θCS}	0.2									K/W
Operating Temperature Range	T _J	-55 to +150									°C
Storage Temperature Range	T _{STG}	-55 to +150									°C

SKBPC35005 THRU SKBPC3516

SILICON/GLASS PASSIVATED THREE PHASE BRIDGE RECTIFIERS

Voltage Range 50 to 1600 Volts

Current 35 Amperes

RATING AND CHARACTERISTIC CURVES SKBPC35005 THRU SKBPC3516

FIG.1-CURRENT RATING CHARACTERISTICS

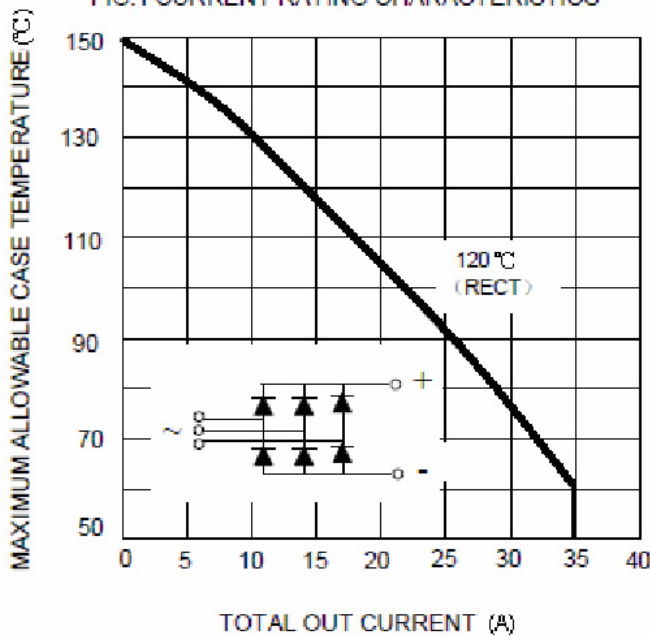


FIG.2-FORWARD VOLTAGE DROP CHARACTERISTICS

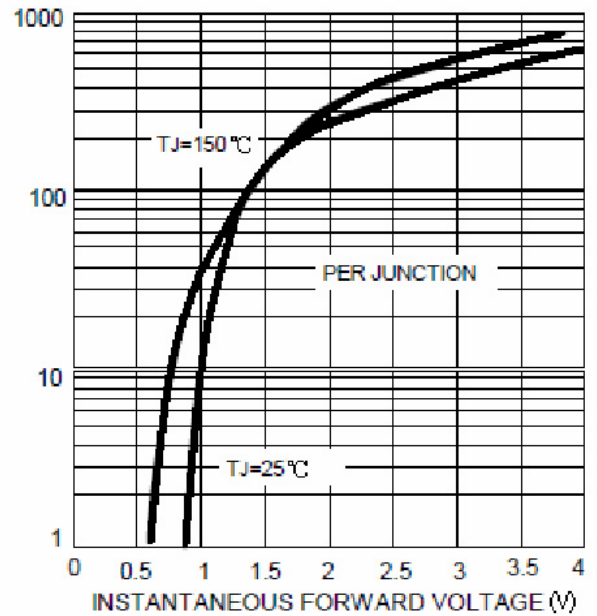


FIG.3-MAXIMUM NON-REPETITIVE SURGE CURRENT

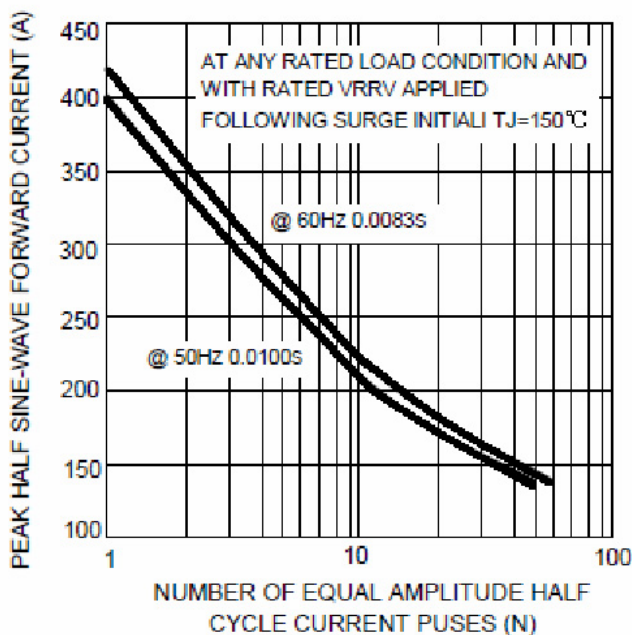
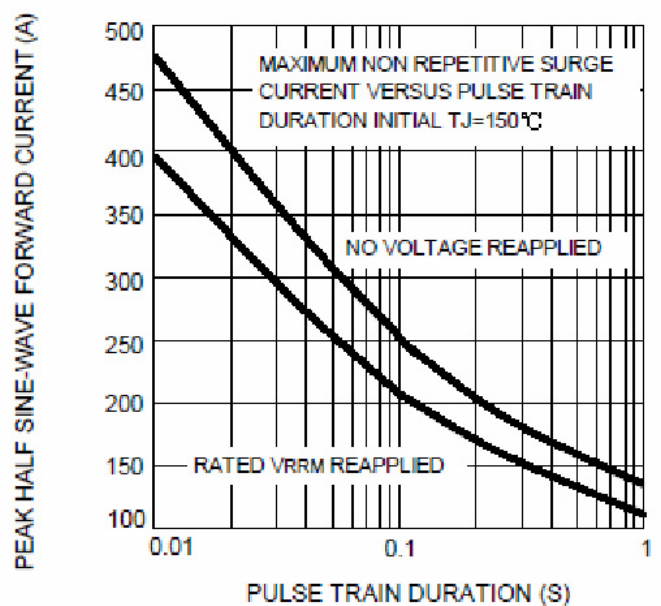


FIG.4-MAXIMUM NON-REPETITIVE SURGE CURRENT



SKBPC35005 THRU SKBPC3516

SILICON/GLASS PASSIVATED THREE PHASE BRIDGE RECTIFIERS

Voltage Range 50 to 1600 Volts

Current 35 Amperes

RATING AND CHARACTERISTIC CURVES SKBPC35005 THRU SKBPC3516

FIG.5-TOTAL POWER LOSS CHARACTERISTICS

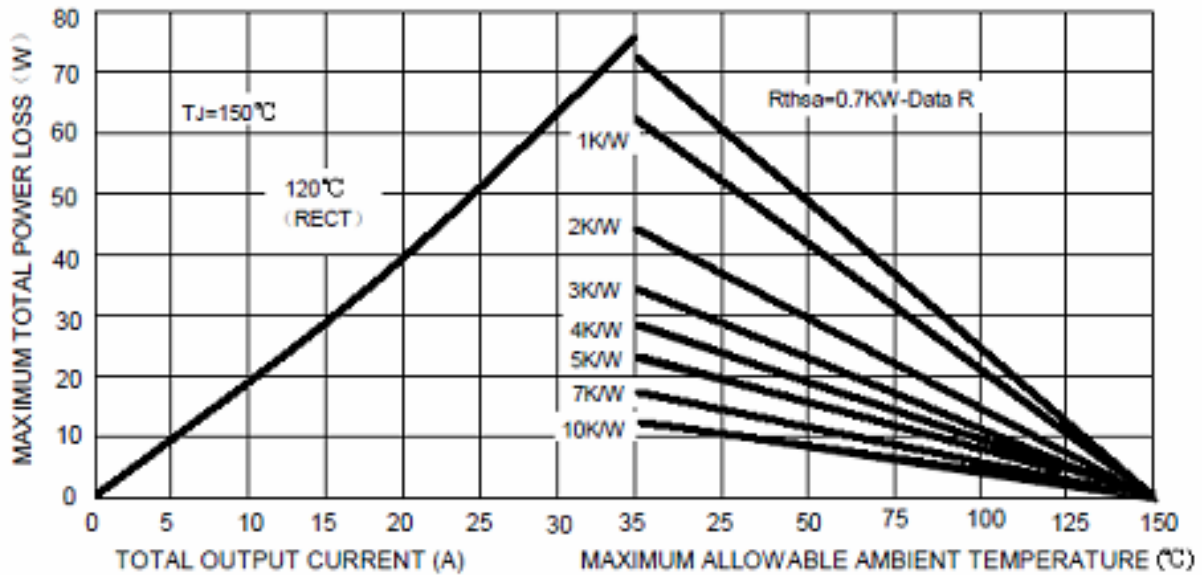
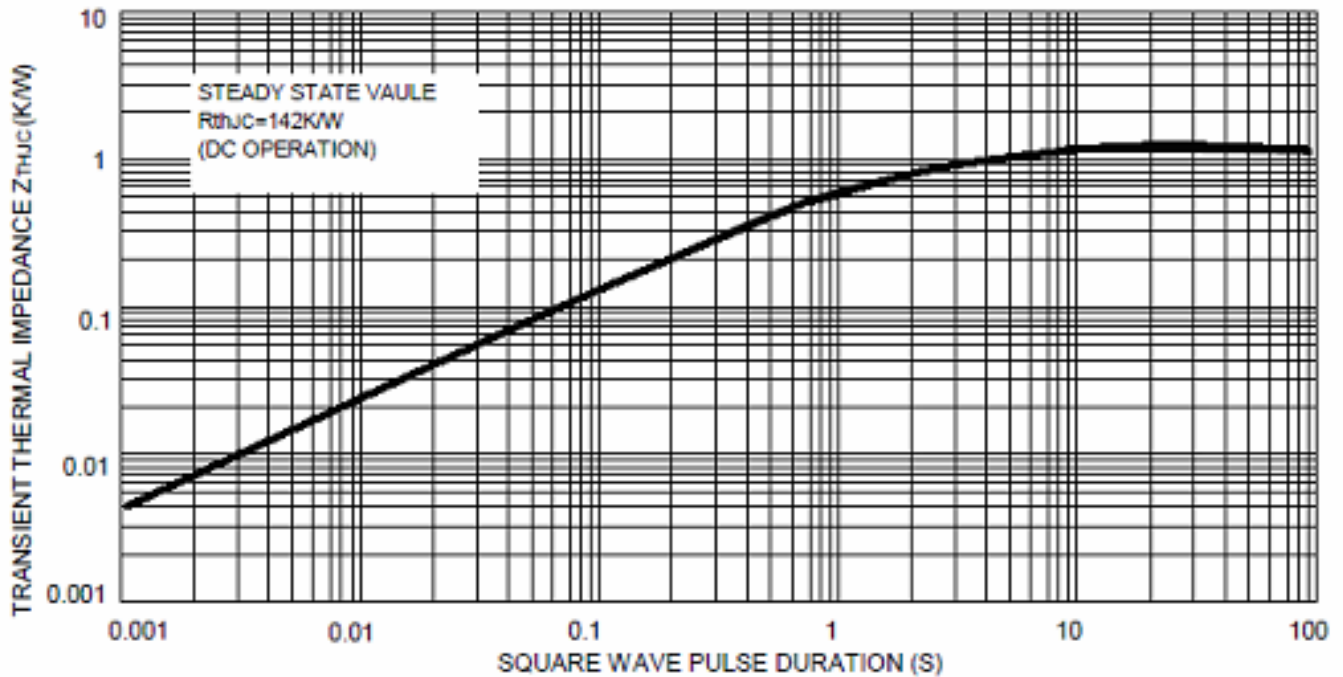


FIG.6-THERMAL IMPEDANCE Z_{thJC} CHARACTERISTICS



Note: Specification are subject to change without notice. For more detail and update, please visit our website.