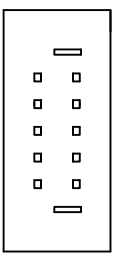
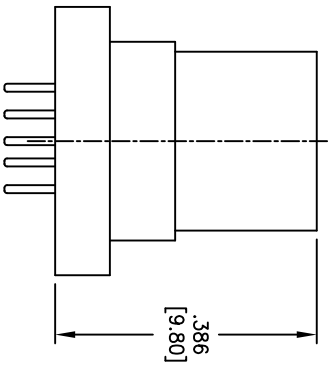
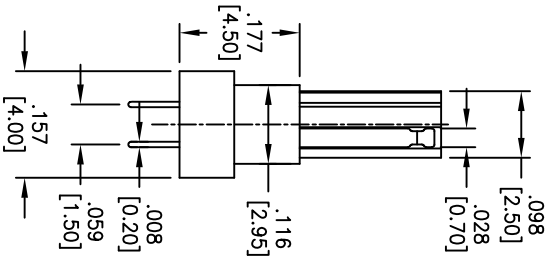
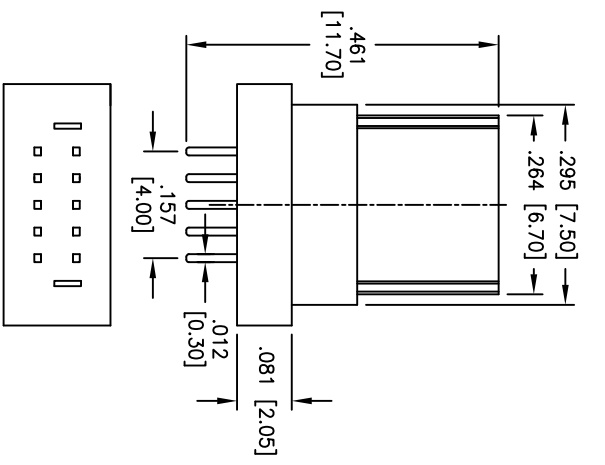
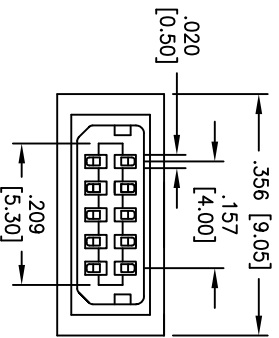


Rev	AWO #	Description	Date	Appr
-		RELEASED	10/23/09	

APPROVED: _____
 DATE: _____ TITLE: _____



SPECIFICATIONS:

Material: Insulator: PBT, glass reinforced, rated UL 94V-0
 Insulator color: Black

Contacts: Brass

Shell: Stainless Steel, Tin over Nickel plated

Plating: Gold Flash over Nickel underplate overall

Electrical: Current rating: 1 Amp max.

Contact resistance: 30 mohms max.

Insulation resistance: 1000 Mohms min. @ 500 VDC

Dielectric withstanding voltage: 500 VAC for 1 minute

Temperature Rating: Operating temperature: -55°C to +105°C

Environmental: Lead free, RoHS compliant.

Recommended soldering temp: 235°C for 5 sec.



ADAM TECH

909 Railway Avenue, Union, NJ 07083
 Phone: 908-687-5000 Fax: 908-687-5710

TITLE: MINI USB, 10P, MALE PLUG,
 PCB MOUNT

UNLESS OTHERWISE SPECIFIED ALL DIMENSIONS ARE MM TOLERANCES: EXCEPT AS NOTED INCHES	
.X ± .10	ØXX ± .10
.XX ± .020	ØXXX ± .015
.XXX ± .015	ØXXXX ± .010
APPROVALS:	DATE:
DRAWN: DY	11/23/09
CHECKED:	
APPROVED:	

SIZE: X	PART NO.: MUSB-10P-PLUG	REV.:
REF: S0007T	SCALE: NTS	SHEET 1 OF 1

6

5

4

3

2

1