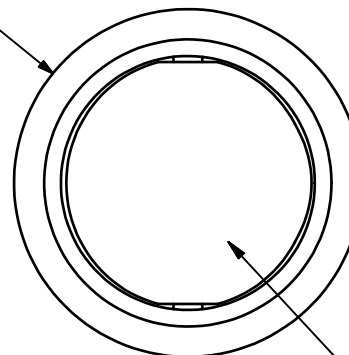
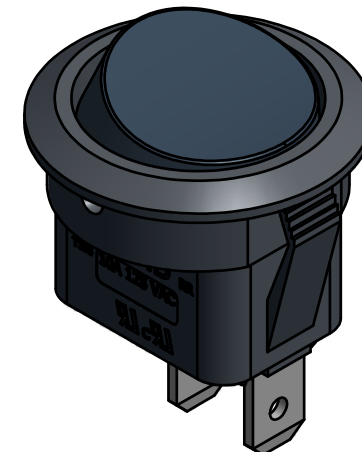


SWITCH FUNCTION	
POS. 1	POS. 2
OFF	(ON)
OPEN	2-1

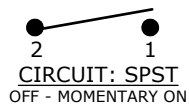
Ø23.00
[.906 in]



ACTUATOR COLOR:
BLACK



PANEL THICKNESS	(X) DIM.
0.75 TO 1.25	20.2mm
1.25 TO 2.00	20.4mm
2.00 TO 3.00	20.6mm

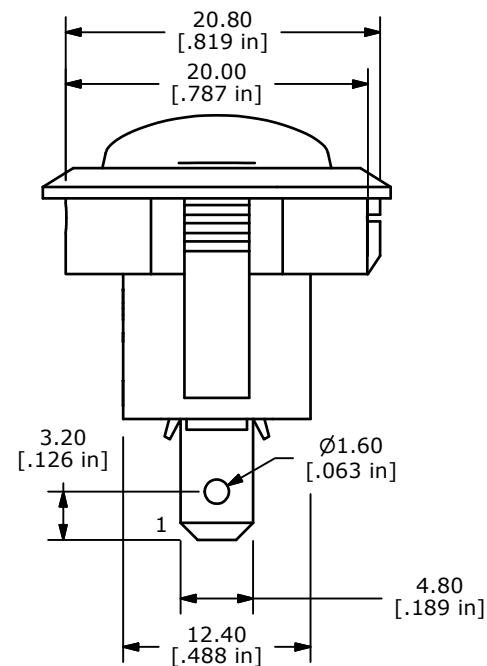
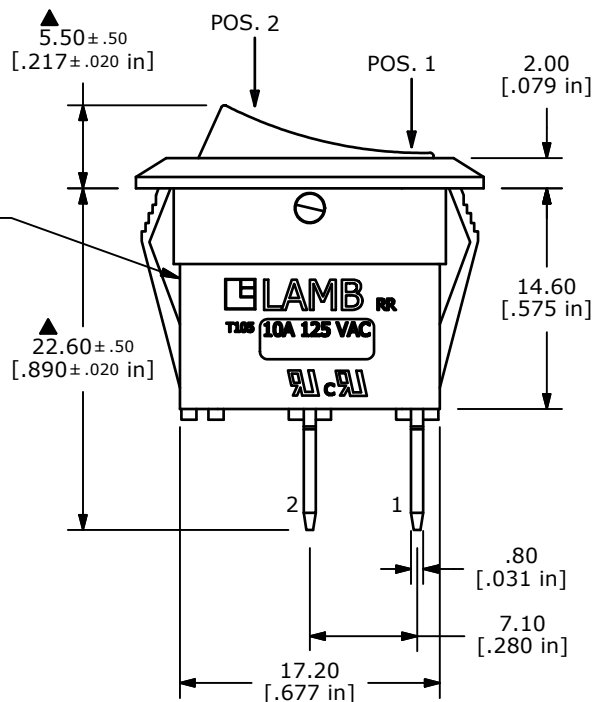


NOTE:

- DIMENSIONS IN MM [INCH]
- GENERAL TOLERANCE: X.X = ± 0.4
X.XX = ± 0.25
- TERMINAL NUMBERS FOR REF ONLY
- CONTACT MATERIAL: SILVER
- CONTACT RATING: ANSI/UL 1054 CAN/USA C22.2 NO. 55 (E194579):
10A @ 125VAC [UR, cUR]

EN 61058-1: 2002:
6A 250~ μ 1E4 T85/55 [ENEC14, SEMKO]
- CONTACT RESISTANCE: 35mΩ MAX. @ 50VAC
- INSULATION RESISTANCE: 100MΩ MIN. @ 500VAC
- DIELECTRIC STRENGTH: 1,500VAC FOR 1 MINUTE
- ELECTRICAL LIFE: 6,000 CYCLES [UR, cUR]
10,000 CYCLES [ENEC14, SEMKO]
- OPERATING TEMPERATURE: -20°C TO 105°C [UR, cUR]
-20°C TO 85°C [ENEC14, SEMKO]
- ▲ DENOTES CRITICAL PARAMETER
- 2002/95/EC (ROHS) COMPLIANT

BODY COLOR:
BLACK



TITLE RR11431100

A	21650	RELEASE FOR PRODUCTION	10/21/14	rc
REV	PCR NO	DESCRIPTION	DATE	BY

THE INFORMATION CONTAINED IN THIS DOCUMENT IS PROPRIETARY TO E-SWITCH AND IS NOT TO BE COPIED OR TRANSFERRED

SCALE	DATE	DR	DWG	REV
	10/21/2014	rc	38-RR11431100	A