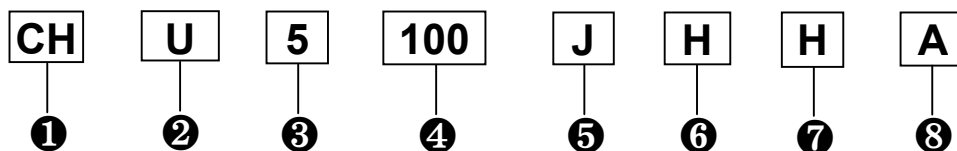


HOW TO ORDER – PART NUMBER EXPLANATION

To Order, please specify Pan Overseas Part No. as the following example :

**① Temperature Characteristics Code :**

	CH (NPO)	SL	B (Y5P)	E (Z5U)	F (Z5V)	X (X7R)	RY (Y5R)	FY (Y5V)
T.C.(PPM/) or Cap. Change %	0 ± 60PPM	+ 350 - 12000PPM	± 10%	+ 22% -56%	+ 22% - 82%	± 15%	± 15%	+ 22% - 82%

② Rated Voltage :

	B	T	U	A	C	M	M2	M3
Voltage	16V	25V	50V	100V	500V	1000V	2000V	3000V

③ Part Diameter(mm) :

Code	Diameter	Code	Diameter	Code	Diameter	Code	Diameter
5	5mm	8	8mm	A	11mm	D	14mm
6	6mm	9	9mm	B	12mm	E	15mm
7	7mm	0	10mm	C	13mm	F	16mm

④ Capacitance Code :

Code	Capacitance (pF)	Code	Capacitance (pF)
010	1	102	1000
1R5	1.5	222	2200
100	10	472	4700
101	100	103	10000

⑤ Tolerance Code :

Code	Tolerance	Code	Tolerance
C	± 0.25pF	K	± 10%
D	± 0.50pF	M	± 20%
J	± 5%	Z	+ 80-20%

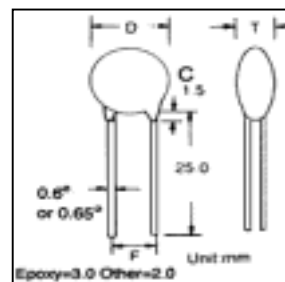
⑥ Lead Configuration Code-Bulk & Taping Package

Bulk Lead Code	Taping Lead Code	Configuration and Dimension			
		Kinked / Straight	Lead Space (F)	Lead Length (L)	Remarks
2		Straight	5.0mm	5±1mm	
5		Straight	2.5mm	25 mm Min.	
6	G or L	Straight	5.0mm	25mm Min.	G = Ammo, L = Reel
7		Straight	6.4mm	25mm Min.	
8		Inside Kinked	5.0mm	5±1mm	
9	H or R	Inside Kinked	5.0mm	25 mm Min.	H = Ammo, R = Reel
A		Straight	10.0mm	5±1mm	
B		Inside Kinked	10.0mm	5±1mm	
C		Straight	10.0mm	25 mm Min.	

⑦ High temperature soldering type.**⑧ Epoxy coating material is used on 2KV & 3KV parts only.**

HI-VOLTAGE 1KV~3KV TYPE**FEATURES :**

- Capacitance has non-linear temperature coefficient.
- Large capacitance in small size.
- Epoxy Coating for 2KV and 3KV parts.
- Wide range of general purposes applications.

**GENERAL SPECIFICATION :**

Capacitance Range	100pF to 10000pF
Capacitance Tolerance	±10%, ±20%, +80%-20%
Operating Temperature Range	-25 ~ 85 (Y5P), 10 ~ 85 (Z5U,Z5V)
Rated Working Voltage Rating	1000,2000 & 3000 VDC
Dissipation Factor (tan δ)	Y5P,Z5U.....tan δ 2.5% Z5V.....tan δ 5.0%
Insulation Resistance (IR) @ 25	10000M Minimum or 200 M μF whichever is smaller
Dielectric Strength	2 times the rated WVDC
Testing Parameters	1KHz ±20%, 1.0Vrms±0.2Vrms

CAPACITANCE CHART :

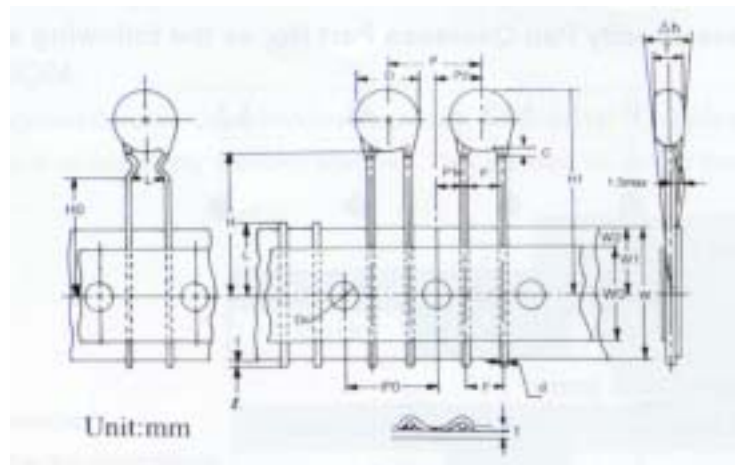
Temp. Char.	Part Diameter	Rated Voltage	Capacitance		Dim. (mm) Max.			
			Range (pF)	Tol.	D	T	F	
B (Y5P) ±10%	6	M (1KV)	100 ~ 1000	K, M	7.0	4.5	5.0	
			1200 ~ 1800					5.0 or 10.0
			2200 ~ 2700					10.0
			3300 ~ 4700					10.0
	8	M2 (2KV)	150 ~ 270	7.5	5.0			
			330 ~ 1000	9.5	5.0 or 10.0			
			1200 ~ 1800	11.5	10.0			
			2200 ~ 2700	13.5	10.0			
	10	M3 (3KV)	4700	16.5	10.0			
			100 ~ 270	7.0	6.0	7.5 or 10.0		
			330 ~ 560	8.0				
			680 ~ 1000	10.0				
			1500 ~ 1800	12.0				
			2200	14.0				
			2700 ~ 3300	15.0				
			3900	16.0				
			4700	18.0				

Temp. Char.	Part Diameter	Rated Voltage	Capacitance		Dim. (mm) Max.			
			Range (pF)	Tol.	D	T	F	
E (Z5U) +22% -56%	6	M (1KV)	100 ~ 2200	M,Z	7.0	4.5	5.0	
			2700 ~ 4700					5.0 or 10.0
			5600 ~ 6800					10.0
			8200 ~ 10000					10.0
	8	M2 (2KV)	2200 ~ 3300	9.5	5.0 or 10.0			
			3900 ~ 4700	11.5	10.0			
			10000	16.5	10.0			
	10	M3 (3KV)	1000	7.0	6.0	7.5 or 10.0		
			1500 ~ 2200	9.0				
			3300	11.0				
			3900	12.0				
			4700	13.0				
			5600 ~ 6800	15.0				
			10000	18.0				

Temp. Char.	Part Diameter	Rated Voltage	Capacitance		Dim.(mm)Max.		
			Range (pF)	Tol.	D	T	F
F (Z5V) +22% -82%	6	M (1KV)	1000 ~ 3300	Z	7.0	4.5	5.0
	8		3600 ~ 5600		5.0 or 10.0		
	10		6800 ~ 10000		10.0		
	12	M2 (2KV)	10000	Z	13.5	4.5	10.0

- When Ordering, please use the Pan Overseas part number as indicated on page no. 13.

TAPING SPECIFICATION AND DIMENSION



Item	Symbol	Specification		Remarks	
		Value	Tolerance		
Body diameter	D	11.0	Max		
Body thickness	T	3.5	Max		
Lead-wire diameter	d	0.6	+0.06-0.05		
Pitch of component	P	12.7	±1.0		
Feed hole pitch	P ₀	12.7	±0.3	Cumulative pitch error : 1.0 mm/20 pitch	
Feed hole center to lead	P ₁	3.85	±0.7	To be measured at bottom of clinch	
Hole center to component center	P ₂	6.35	±1.3		
Lead-to lead distance	F	5.0	+0.8 -0.2		
Component alignment, F-R.	h	0	±2.0		
Tape width	W	18.0	+1.0 -0.5		
Hold-down tape width	W ₀	11.0	Min		
Hole position	W ₁	9.0	+0.75 -0.5		
Hold-down tape position	W ₂	3.0	Max		
Height of component form tape center	For Straight Lead Type	H	20.0	+1.0 -0.5	
	For Kinked Lead Type	H ₀	16.0	±0.5	
Component height	H ₁	32.25	Max		
Lead-wire protrusion	l	2.0	Max		
Feed hole diameter	D ₀	4.0	±0.3		
Total tape thickness	t	0.7	±0.2		
Length of snapped lead	L	11.0	Max	Ground paper : 0.5±0.1 mm	
Coating rundown on leads	C	1.5	Max		

These radial taped ceramic disc capacitors are designed especially for automatic insertion, and is only available for those parts have diameter of 11.0mm or smaller.

