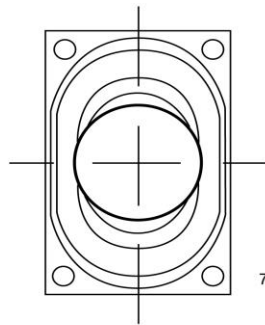
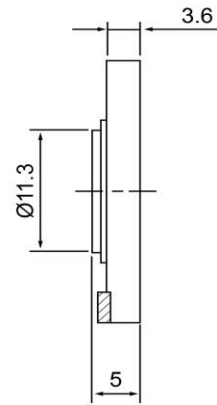


TOP VIEW

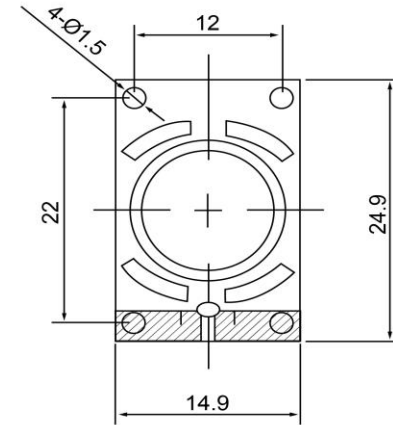




Silk Screen Marking  
 "7 G"  
 Year | Month  
 7=2007 G=Jul.

SIDE VIEW



BOTTOM VIEW



Specifications			Notes	Revision History					
Description	Value	Unit		Version	Description	Date	Approved		
Shape	Rectangle		1) All dimensions are in mm unless otherwise noted 2) All parts meet RoHS 	1	Released from Engineering	10/21/2013	J.S		
Resonant Frequency	900	(Hz)							
Frequency Range	900 ~ 20,000	(Hz)							
SPL @ 10cm	82	(dBA)							
Impedance	8	(Ohm)							
Cone Material	Cloth								
Nominal Power	0.5	(W)							
Max Power	1	(W)							
Mount Type	Frame								
Operating Temperature	-20 ~ +55	°C							
Storage Temperature	-20 ~ +55	°C							
Weight	2	(g)							
						Drawn by: A.B.    Date: 10/21/2013    Checked by: C.E.    Date: 10/21/2013    Approved by: J.S    Date: 10/21/2013			
			DB UNLIMITED			Dynamic Speaker			
						SC240908-1			