

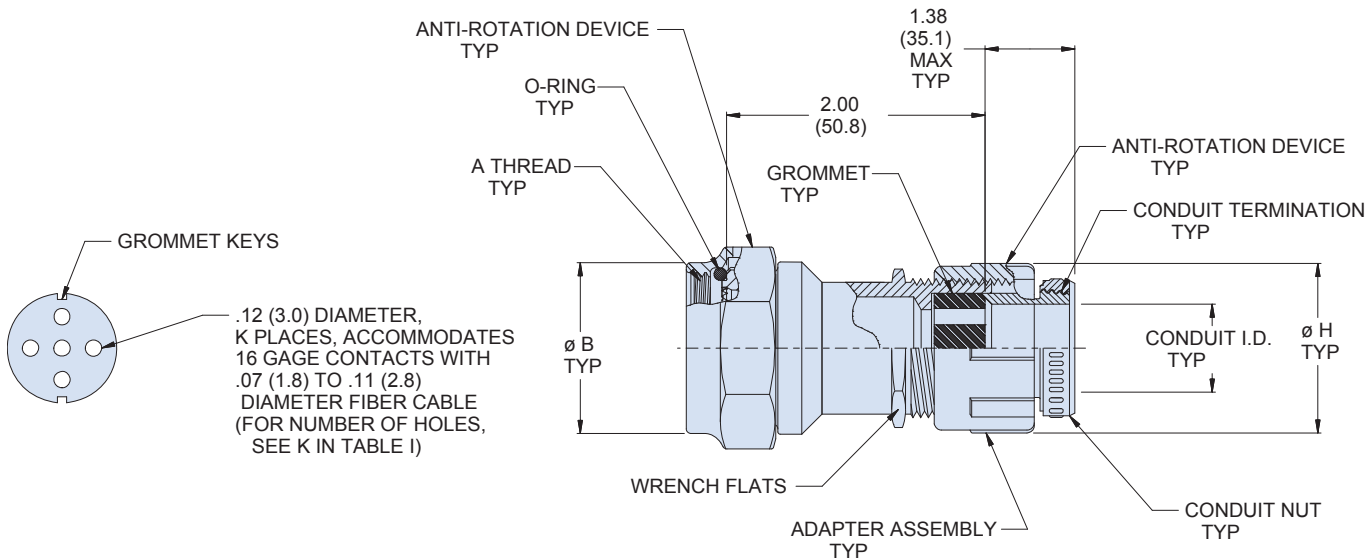
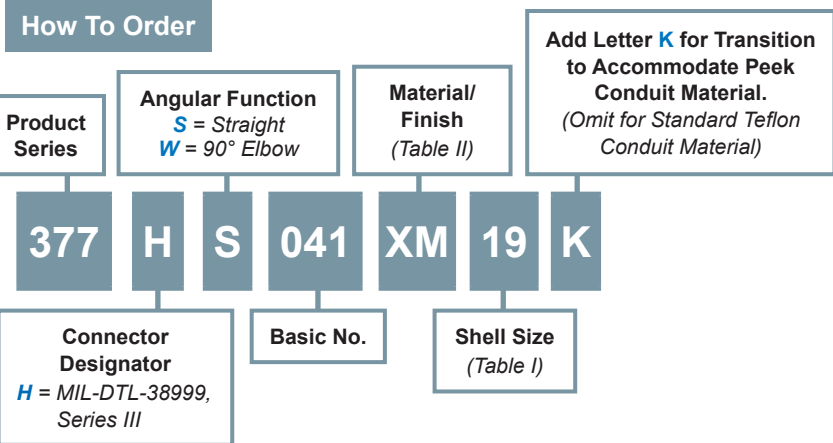


377-041 Composite FiberCon® Conduit Adapter for Fiber Optic MIL-DTL-38999 Series III Connectors

D38999
Series III

B

MIL-DTL-38999 Series III conduit adapter



Material and Plating

Adapters, Elbow, Ferrules: Hi-grade engineering thermoplastic/see table II
Coupling Nut & Gland Nut: Hi-grade engineering thermoplastic/unplated
Grommet, O-Ring: Fluorosilicone
Anti-Rotation Device: Corrosion resistant material

Notes

Glenair 600 Series Backshell assembly tools are recommended for assembly and installation.
Conduit I.D. accommodates Glenair Series 74, Type A Convuluted Tubing, in accordance with MIL-T-81914.
For Sealing Plugs, see Glenair drawing 687-142.

377-041
Composite FiberCon® Conduit Adapter
for Fiber Optic MIL-DTL-38999 Series III Connectors



MIL-DTL-38999
 Series III Type

B

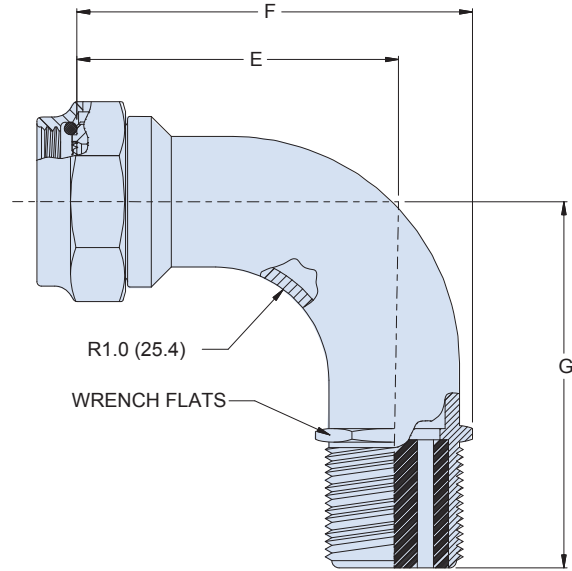


Table I

| Shell Size | A Thread | Ø B Max | E ±.06 (1.5) | F ±.09 (2.3) | G ±.06 (1.5) | Ø H Max | Ø J Ref | K (# Of Holes) |
|------------|--------------|-------------|-----------------|-----------------|-----------------|-------------|------------|-------------------|
| 11 | M15 X 1 - 6H | .770 (19.6) | 1.70 (43.2) | 2.39 (60.7) | 1.90 (48.3) | 1.41 (35.8) | .25 (6.4) | 2 |
| 13 | M18 X 1 - 6H | .890 (22.6) | 1.78 (45.2) | 2.47 (62.7) | 1.96 (49.8) | 1.41 (35.8) | .31 (7.9) | 4 |
| 15 | M22 X 1 - 6H | 1.03 (26.2) | 1.82 (46.2) | 2.51 (63.8) | 2.02 (51.3) | 1.41 (35.8) | .31 (7.9) | 5 |
| 17 | M25 X 1 - 6H | 1.15 (29.2) | 1.89 (48.0) | 2.70 (68.6) | 2.09 (53.1) | 1.64 (41.7) | .44 (11.2) | 8 |
| 19 | M28 X 1 - 6H | 1.28 (32.5) | 1.93 (49.0) | 2.74 (69.6) | 2.13 (54.1) | 1.64 (41.7) | .50 (12.7) | 11 |
| 21 | M31 X 1 - 6H | 1.41 (35.8) | 2.00 (50.8) | 2.94 (74.7) | 2.19 (55.6) | 1.89 (48.0) | .50 (12.7) | 16 |
| 23 | M34 X 1 - 6H | 1.53 (38.9) | 2.08 (52.8) | 3.02 (76.7) | 2.25 (57.2) | 1.89 (48.0) | .63 (16.0) | 21 |
| 25 | M37 X 1 - 6H | 1.66 (42.2) | 2.14 (54.4) | 3.20 (81.3) | 2.32 (58.9) | 2.16 (54.9) | .75 (19.1) | 29 |

Table II: Material and Finish

| Code | Material | Finish Description |
|-----------|------------------|--|
| XB | Composite | No Plating - Black Color |
| XO | | No Plating - Amber Color |
| XM | | Electroless Nickel |
| XW | | Cadmium Olive Drab over Electroless Nickel |

Refer to Appendix for material/finish details