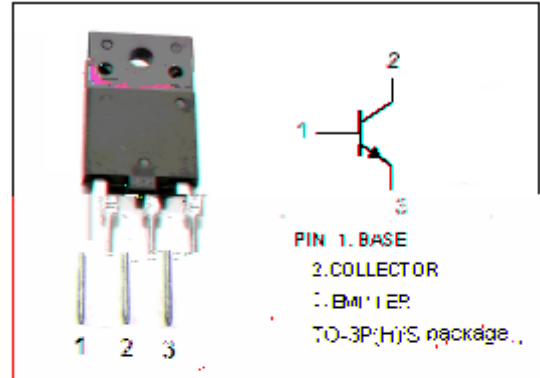


isc Silicon NPN Power Transistor

2SC4761

DESCRIPTION

High Breakdown Voltage-  
:  $V_{CBO}$



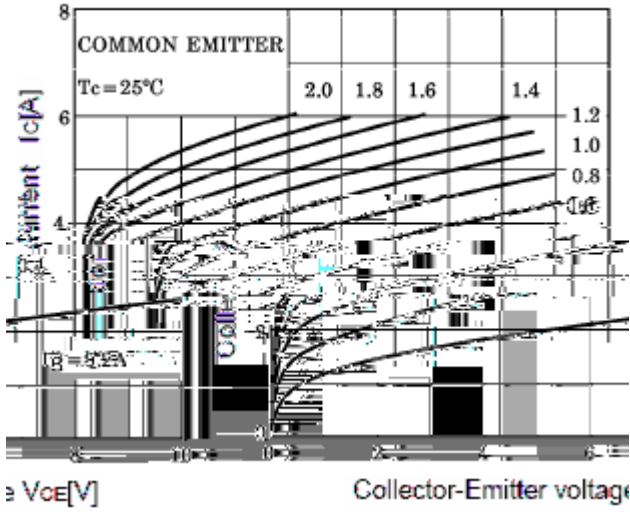
**isc Silicon NPN Power Transistor**

**2SC4761**

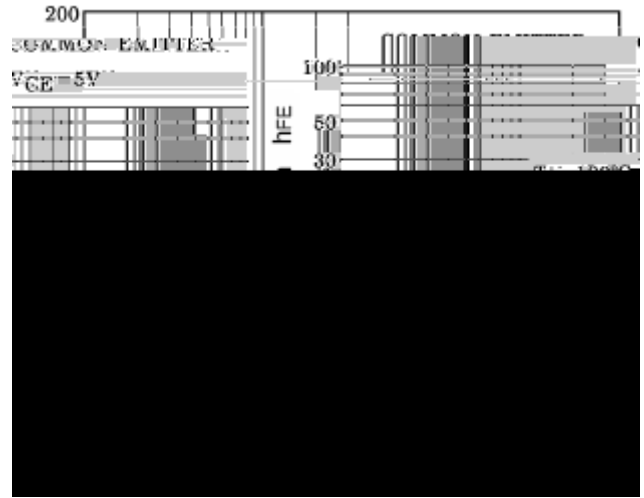
isc Silicon NPN Power Transistor

2SC4761

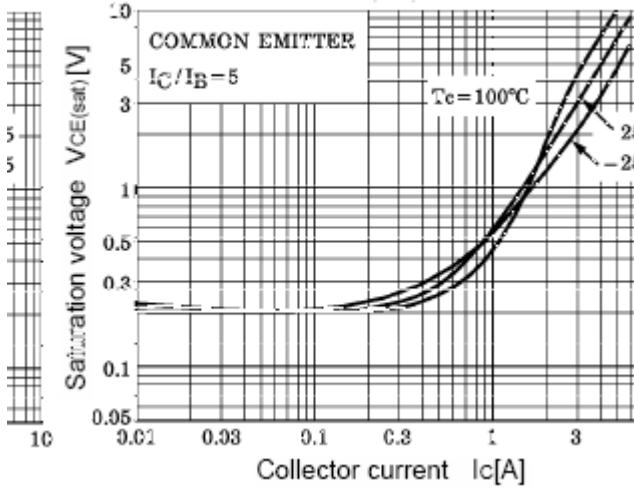
**$I_C$ - $V_{CE}$  Characteristics**



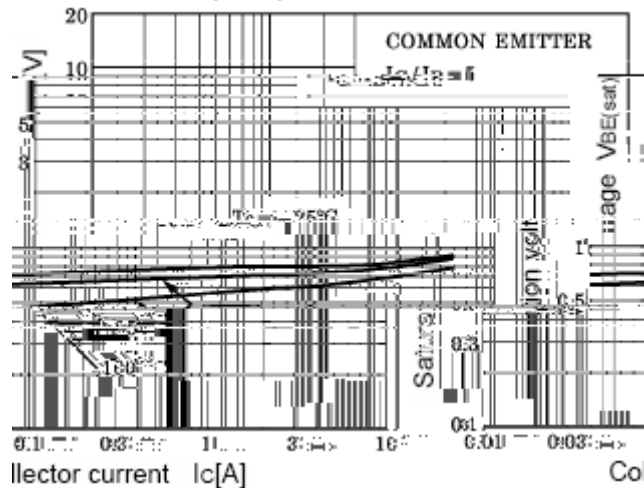
**$h_{FE}$ - $I_C$  Characteristics**



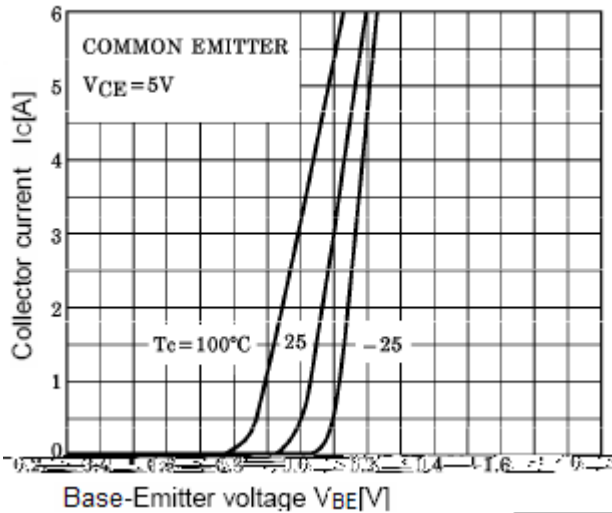
**$V_{CE(sat)}$ - $I_C$  Characteristics**



**$V_{BE(sat)}$ - $I_C$  Characteristics**



**$I_C$ - $V_{BE}$  Characteristics**



isc Silicon NPN Power Transistor

2SC4761

Safe Operating Area

