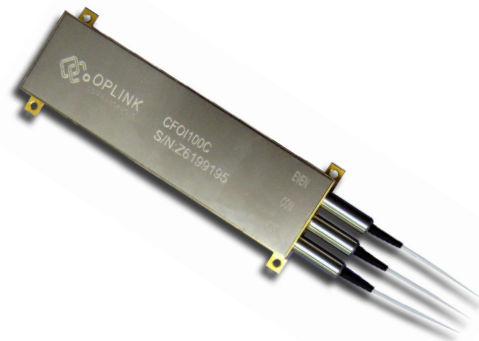


# 100GHz COMPACT FIBER OPTICAL INTERLEAVER

## CFOI100 Series

### Product Description

Oplink's compact, low-dispersion interleavers greatly expand wavelength channel counts in DWDM systems. Oplink's DWDM interleavers feature excellent wide, flat passbands and high isolation. Both MUX and DeMUX functions are supported. Interleavers are athermal and do not require temperature control.



### Performance Specification

CFOI100 Series		Min	Typical	Max	Unit	
Center Wavelength Range	C-band	1529.55		1561.42	nm	
	L-band	1569.59		1604.03		
Center Frequency Range	C-band	192000		196000	GHz	
	L-band	186900		191000		
Channel Center Wavelength	ITU Grid					
Input Channel Spacing	100				GHz	
Output Channel Spacing	200				GHz	
Clear Bandwidth	± 15				GHz	
Insertion Loss <sup>[1]</sup>	1.5				1.8	dB
Ripple	0.2				0.4	dB
Insertion Loss Uniformity	0.3				0.5	dB
Adjacent Channel Isolation	25					dB
Polarization Dependent Loss (PDL)	0.3				0.4	dB
Polarization Mode Dispersion (PMD)	0.2				0.3	ps
Chromatic Dispersion	-20				+20	ps/nm
Return Loss	45				50	dB
Directivity	50				55	dB
Operating Power Handling					24	dBm
Operating Temperature	0 to +65					°C
Storage Temperature	-40 to +85					°C
Fiber Type	Corning SMF-28					
Package Dimensions <sup>[3]</sup>	100.0 (L) x28.0 (W) x12.0 (H)					mm

### Features

- ◆ Low insertion loss
- ◆ High isolation
- ◆ Low dispersion
- ◆ Highly stable & reliable
- ◆ Epoxy-free optical path
- ◆ Compact size
- ◆ Completely passive
- ◆ Athermal Design

### Applications

- ◆ DWDM systems
- ◆ Extended network capacity

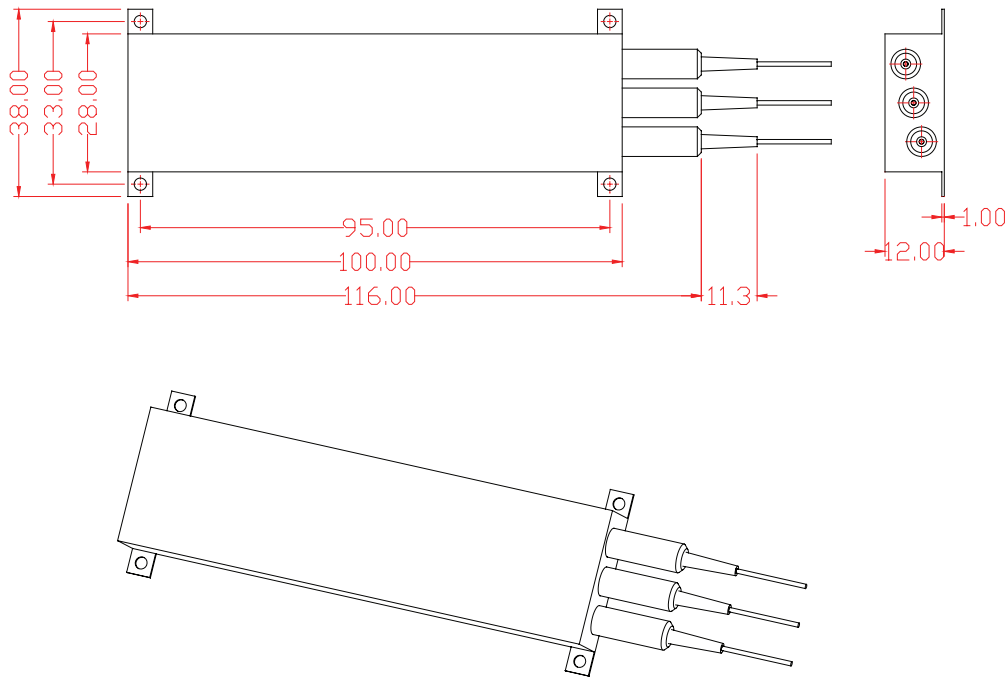
Note:

[1] The maximum IL is under all states of polarization and within the full operating temperature and wavelength ranges specified.

[2] All the parameters are excluding connectors

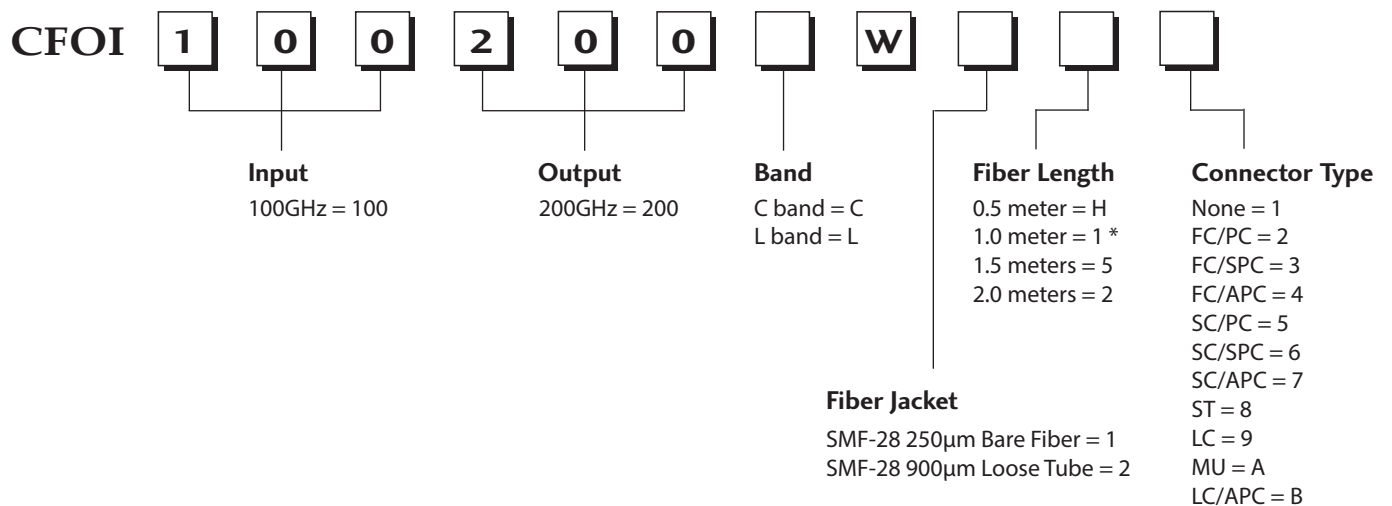
[3] The mechanical tolerance should be +/-0.2mm on all package dimensions unless otherwise custom specified.

**Mechanical Drawing / Package Dimensions (dimension in mm)**



**Ordering Information**

Oplink can provide a remarkable range of customized optical solutions. For detail, please contact Oplink's OEM design team or account manager for your requirements and ordering information (510) 933-7200.



\* The tolerance of fiber length is +/-0.1m. 1 meter is standard. The lead-time for special fiber length will be longer.